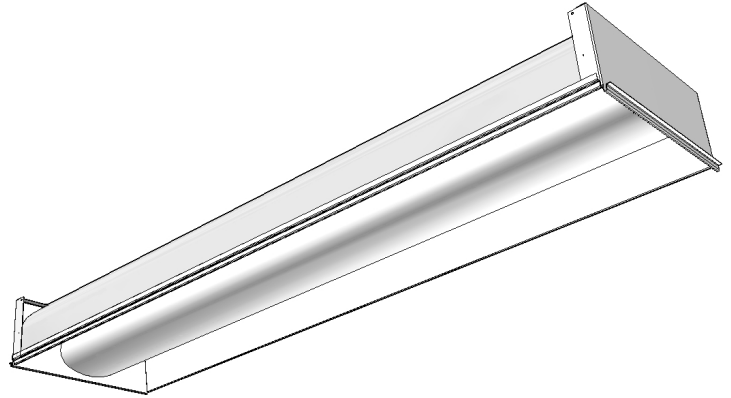


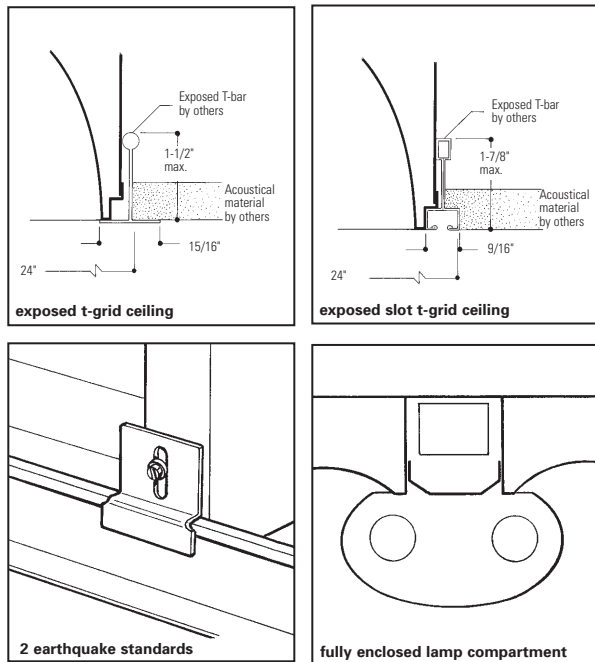
HP90 Recessed Fluorescent **H9S1GLR228 or 128**

Features

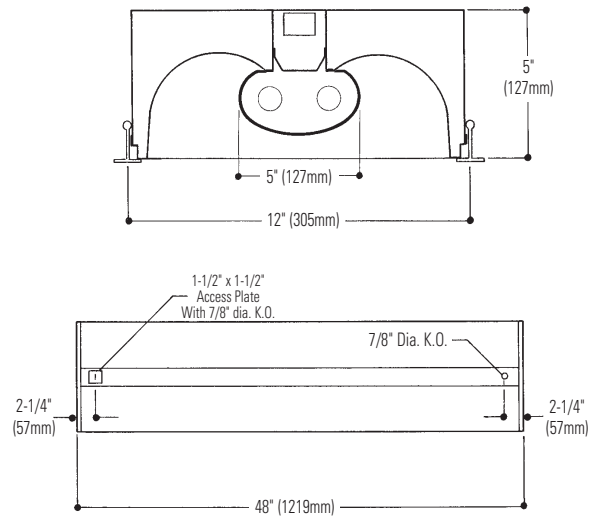
- 88.9% efficient (2 lamp, 28W).
- 84.2% efficient (1 lamp, 28W).
- Direct/indirect appearance with soft contoured interior.
- Lens encloses lamp compartment.
- Translucent DR acrylic linear prismatic lens.
- Tension screws secure ends to body.
- Same fixture fits both G and T ceiling types.
- Fits flush to face of slot grid (T) ceiling types.
- Lamp shield opens from either side.
- 95% reflective specular aluminum reflector.
- Ballast accessible from room side.
- 2 earthquake clips standard.
- Can be continuous row mounted.
- Wiring access plate standard.
- Optional DALI ballast i GEN TECHNOLOGY accepts digital dimming controllers, scene controllers and automatic control devices.
- Construction to meet NYC Code or Chicago Plenum available.



Mounting Methods



Dimensions



Job Information

Type:

Job Name:

Cat. No.:

Lamp(s):

Volts/Ballast:

Lightolier a Genlyte company www.lightolier.com
 Technical Information: (978) 657-7600 • Fax (978) 658-0595
 631 Airport Road, Fall River, MA 02720 • (508) 679-8131 • Fax (508) 674-4710
 We reserve the right to change details of design, materials and finish.
 © 2006 a Genlyte company **Section 5/Folio M32-20**



HP90 Recessed Fluorescent **H9S1GLR228 or 128**

Model No. H9S1GLR128UNVPG

LER = FP - 72.6 IW - 31.83 BF - 1.0
Comparative yearly lighting energy cost per 1000 lumens = \$3.30

Report Number: G2006146
Catalog Number: H9S1GLR128UNVPG
Lamps: F28T5
Luminaire: HP90 1' x 4' with linear prismatic lens.
Ballast: QTP 2x28 T5-UNV-PSN
Report is based on 2750 Lumens per lamp.
Efficiency: 84.2%
CIE Type-Direct-Indirect
Plane: 0-Deg 90-Deg
Spacing Criteria: 1.3 1.3
Shielding Angles: 90 90
Plane: 0-Deg 90-Deg
Luminous Length: 46.760 11.760

CANDELA DISTRIBUTION

	0.0	45.0	90.0	FLUX
0	832	832	832	
5	821	841	860	81
15	796	862	879	240
25	752	797	798	364
35	690	680	653	423
45	597	528	560	425
55	441	406	420	366
65	261	263	266	261
75	117	127	124	134
85	17	18	18	22
90	2	2	2	

COEFFICIENTS OF UTILIZATION – ZONAL CAVITY METHOD. EFFECTIVE FLOOR CAVITY REFLECTANCE 0.20

RC	80	50	30	80	50	30	80	50	30	80	50	30	10
1	92	88	85	83	80	78	80	78	76	76			
2	84	77	72	73	69	65	70	67	63				
3	77	68	62	64	59	55	62	58	54				
4	70	61	53	57	52	47	55	50	46				
5	65	54	47	52	45	41	50	45	40				
6	6	49	42	47	40	36	45	40	35				
7	56	44	37	42	36	32	41	36	32				
8	52	41	34	39	33	28	38	32	28				
9	48	37	30	36	30	26	35	29	26				
10	45	34	28	33	27	23	32	27	23				

ZONAL LUMEN SUMMARY

ZONE	LUMENS	% LAMP	% FIXT
0- 30	685	24.9	29.6
0- 40	1108	40.3	47.8
0- 60	1899	69.1	82.0
0- 90	2316	84.2	100.0
90-180	0	0.0	0.0
0-180	2316	84.2	100.0

LUMINANCE DATA IN CANDELA/SQ. METER

AVERAGE IN DEG.	AVERAGE 0-DEG.	AVERAGE 45-DEG.	AVERAGE 90-DEG.
45	2329.	2060.	2185.
55	2121.	1953.	2020.
65	1794.	1717.	1736.
75	1247.	1354.	1322.
85	538.	570.	570.

Model No. H9S1GLR228UNVPG

LER = FP - 77.2 IW - 63.31 BF - 1.0
Comparative yearly lighting energy cost per 1000 lumens = \$3.11

Report Number: G2006140
Catalog Number: H9S1GLR228UNVPG
Lamps: F28T5
Luminaire: HP90 1' x 4' with linear prismatic lens.
Ballast: QTP2X28T5/UNV
Report is based on 2750 Lumens per lamp.
Efficiency: 88.9%
CIE Type-Direct-Indirect
Plane: 0-Deg 90-Deg
Spacing Criteria: 1.2 1.4
Shielding Angles: 90 90
Plane: 0-Deg 90-Deg
Luminous Length: 47.760 11.760

CANDELA DISTRIBUTION

	0.0	45.0	90.0	FLUX
0	1661	1661	1661	
5	1643	1659	1678	158
15	1581	1654	1725	468
25	1466	1621	1692	737
35	1303	1470	1512	902
45	1088	1217	1236	922
55	823	913	889	793
65	537	590	558	569
75	256	283	250	291
85	38	42	38	50
90	3	4	3	

COEFFICIENTS OF UTILIZATION – ZONAL CAVITY METHOD. EFFECTIVE FLOOR CAVITY REFLECTANCE 0.20

RC	80	50	30	80	50	30	80	50	30	80	50	30	10
1	97	93	89	87	85	82	84	82	80				
2	89	81	75	77	72	68	74	70	67				
3	81	72	64	68	62	57	65	60	56				
4	74	63	56	60	54	49	58	53	48				
5	68	57	49	54	47	42	52	46	42				
6	63	51	43	49	42	37	47	41	37				
7	58	46	38	44	37	33	43	37	32				
8	54	42	35	40	34	29	39	33	29				
9	51	39	31	37	31	26	36	30	26				
10	47	36	29	34	28	24	33	28	24				

ZONAL LUMEN SUMMARY

ZONE	LUMENS	% LAMP	% FIXT
0- 30	1364	24.8	27.9
0- 40	2266	41.2	46.3
0- 60	3981	72.4	81.4
0- 90	4891	88.9	100.0
90-180	0	0.0	0.0
0-180	4891	88.9	100.0

LUMINANCE DATA IN CANDELA/SQ. METER

AVERAGE IN DEG.	AVERAGE 0-DEG.	AVERAGE 45-DEG.	AVERAGE 90-DEG.
45	4245.	4748.	4822.
55	3958.	4391.	4276.
65	3505.	3851.	3542.
75	2729.	3046.	2665.
85	1203.	1329.	1203.

Ordering Information

Explanation of Catalog Number. Example: H9S1GLR228UNVPG

HP90
Direct/Indirect Recessed

S
Body Style:
S = Static

1
Fixture Width

G
Ceiling Type:
Fits both Standard Grid and Slot Grid

L
Acrylic Lens

R
Reflector:
Specular Aluminum

Lamp Quantity
1=1 Lamp
2=2 Lamp

28
Lamp:
(By Others)
28=T5 28W
(Nominal 48")

Voltage:
120, 277 or UNV=120-277

Options:
Add appropriate suffix to catalog no., ie: (GLR)

H9 Standard HP90

HY For NYC Code – I.B.E.W. Manufactured

HN For NYC Code – Local 3 Manufactured

Options/Accessories

Fusing: Internal fast blow fusing: SUFFIX: **GLR**.
Internal slow blow fusing: SUFFIX: **GMF**.

Drywall Kit: Order Catalog Number: **FK91X4**.

Electrical Wiring Options: Consult factory.

For motion or light sensor: See Folio OA20-10.

Specifications

Performance: In an installation of 2 lamp 28W luminaires in a room cavity ratio of 1, with reflectance 80% ceiling, 50% wall, 20% floor, the C.U. shall not be less than .93. To reduce glare the average brightness at 65° shall not exceed 3851 candelas per square meter. To control veiling reflections, luminaire output in the 30°-90° zone shall not be less than 72.1%.

Materials: Chassis parts are die-formed code gauge steel.

Lamp Shield: Linear prismatic translucent DR acrylic lens.

Finish: Chassis exterior – baked white acrylic enamel. Cavity – baked flat white acrylic enamel. Phosphate undercoating. Reflector – low iridescence specular aluminum 95% reflectance.

Specifications (continued)

Electrical: Thermally protected class "P" ballast C.B.M. approved, non PCB. If K.O. is within 3" of ballast, use wire suitable for at least 90°.

UL Listed for damp locations.

Labels: I.B.E.W./UL and ULc Listed.

This product may have a mercury containing lamp. Manage in accord with Disposal Laws. See: www.lamprecycle.org

Job Information Type:

Lightolier a Genlyte company www.lightolier.com
Technical Information: (978) 657-7600 • Fax (978) 658-0595
631 Airport Road, Fall River, MA 02720 • (508) 679-8131 • Fax (508) 674-4710
We reserve the right to change details of design, materials and finish.
© 2006 a Genlyte company **Section 5/Folio M32-20**