

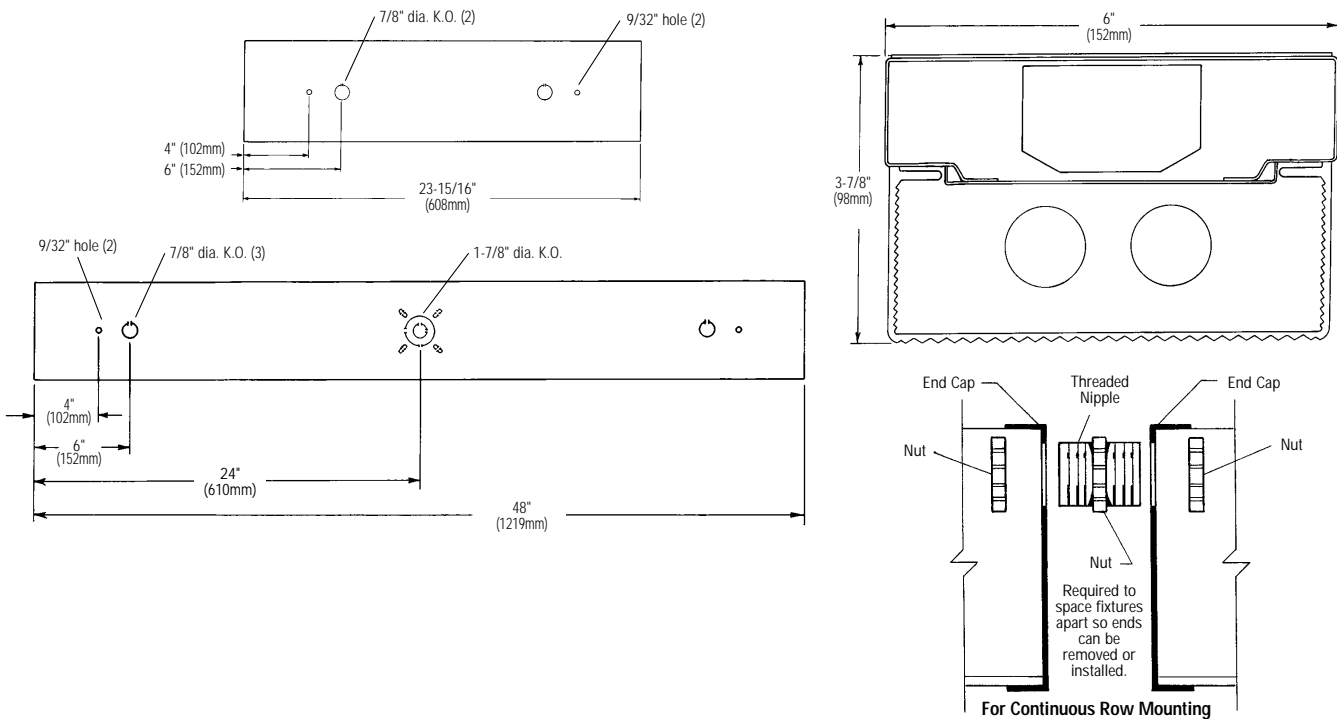
Guardsman Vandal Resistant **GSW SERIES**

Features

- Excellent for locations where vandal resistance is required, areas such as hallways, stairwells, locker rooms, parking garages and psychiatric hospitals.
- For ceiling or wall mounted applications.
- Can be vertically or horizontally mounted on wall.
- 20 gauge cold rolled steel, post painted, baked white enamel housing.
- 18 gauge cold rolled steel post painted baked white enamel end caps, standard.
- Linear prismatic lens 50% DR (impact resistant) and 50% standard acrylic with nominal thickness of 1/8", withstands 70 ft lbs impact without breaking.
- Tamper resistant holt head screws secure ends to housing.
- Only 3-7/8" deep, meets American with Disabilities Act for wall mounted fixtures.
- Nominal 2' and 4' lengths.
- 73.9% efficient (T8 lamps).



Dimensions



Job Information	Type :
Job Name :	
Cat No :	
Lamp (s) :	
Volts/Ballast :	

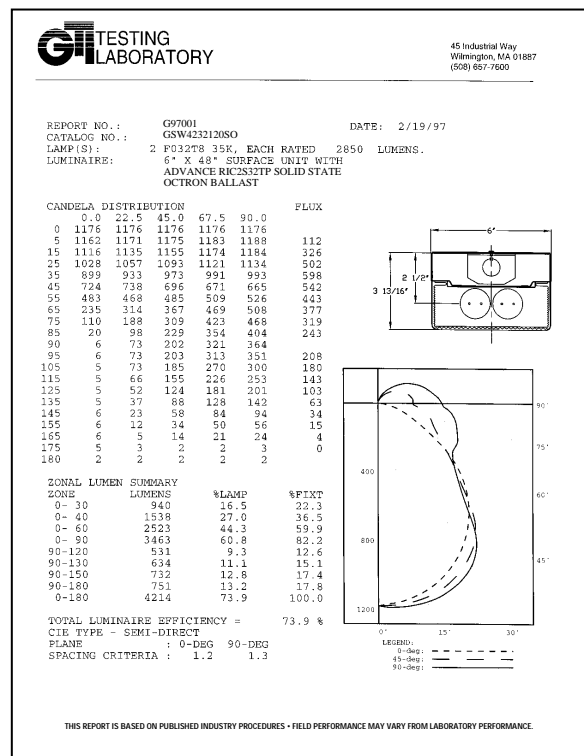
Lightolier a Genlyte Thomas Company www.lightolier.com
 Technical Information: (978) 657-7600 • Fax (978) 658-0595
 631 Airport Road, Fall River, MA 02720 • (508) 679-8131 • Fax (508) 674-4710
 We reserve the right to change details of design, materials and finish.
 Copyright 2003 Lightolier **Section 6A/Folio P10-62**

Guardsman Vandal Resistant **GSW SERIES**

Photometry

Model No. GSW4232120SO

LER = FP - 62.9 IW - 59.1 BF - 0.88
Comparative yearly lighting energy cost per 1000 lumens = \$4.06



coefficients of utilization — zonal cavity method

	RF	20			20			20		
	RC	80			50			30		
	RW	70	50	30	50	30	10	50	30	10
room cavity ratio	1	81	76	73	67	65	62	62	60	58
	2	73	66	61	58	54	51	54	51	48
	3	66	58	51	51	46	42	47	43	40
	4	61	51	44	46	40	36	42	38	34
	5	56	46	39	41	35	31	38	33	29
	6	51	41	34	37	31	27	34	29	26
	7	48	37	30	33	28	24	31	26	23
	8	44	34	27	31	25	21	29	24	20
	9	41	31	25	28	23	19	26	22	18
	10	39	29	23	26	21	17	24	20	17

visual comfort probability

room size		ceiling height				ceiling height			
W	L	8.5	10.0	13.0	16.0	8.5	10.0	13.0	16.0
20	20	40	47	58	69	30	39	53	66
20	30	35	40	46	56	20	27	35	48
20	40	33	36	41	47	15	20	26	35
20	60	32	35	38	42	11	15	19	25
30	20	38	45	55	66	32	40	51	64
30	30	32	37	43	52	22	27	35	46
30	40	30	33	38	43	16	20	26	33
30	60	29	32	34	39	12	15	19	25
30	80	29	31	33	37	10	12	15	20
40	20	38	45	53	64	34	42	52	63
40	30	31	36	42	51	24	29	36	46
40	40	29	32	36	42	18	22	26	33
40	60	27	30	32	37	13	16	19	25
40	80	27	30	31	35	10	13	15	20
40	100	27	30	31	34	9	11	13	16
60	30	31	36	41	49	25	31	37	47
60	40	28	31	35	41	19	23	27	34
60	60	26	29	31	36	14	17	20	25
60	80	25	28	29	33	11	14	16	20
60	100	25	27	29	32	9	11	13	17
100	40	29	31	34	40	23	27	30	37
100	60	25	28	30	34	16	20	22	27
100	80	24	26	28	32	13	16	18	22
100	100	23	26	27	30	11	13	15	18

Ordering Information

Explanation of Catalog Number. Example: GSW4232120SOEM

GSW	[]	[]	[]	[]	[]	[]
GSW: Guardsman Surface/Wall Vandal Resistant Fluorescent	Fixture Length: 2 = 24" 4 = 48"	Lamp Quantity: 1 or 2 Lamps	Lamp: (By Others) 17 = T8 2' Length 32 = T8 4' Length	Voltage: 120 or 277	Ballast Type: <20THD <10THD 1-2 Lamp Elec. T8 SO* HI* 0° Starting T8 SD - LOL Dimming T8 PS -	Options: Add appropriate suffix to catalog no. ie: (EM)
					*Instant Start Standard Other dimming options, consult factory.	

Options & Accessories

- In-Line Fusing:** Internal fast-blow fusing. Suffix: **GLR**.
Internal slow-blow fusing. Suffix: **GMF**.
 - Radio Interference Filter:** 120 or 277 volt, 50 or 60 Hz. One per fixture standard. Suffix: **R**. One per ballast. Suffix: **B**.
 - Emergency Power Pack:** Factory installed emergency power pack includes charger and inverter concealed in fixture channel. Upon loss of AC power, operates one lamp at reduced light. Suffix: **EM**.
 - Stem and Canopy Sets:** Suspends fixture 6", 12", 18" or 24" from surface.
- Catalog Number: **ASC6 CSP** (6")
ASC12 CSP (12")
ASC18 CSP (18")
ASC24 CSP (24")

Specifications

Materials: Chassis parts are die-formed 20 gauge cold rolled steel.
Reflector: one-piece 50% DR virgin acrylic. **End Caps**—18 gauge cold rolled steel.

Specifications (continued)

Finish: Chassis exterior—post painted white baked acrylic enamel. **End Caps and Cover**—Post painted baked white enamel. Phosphate undercoating.
Reflector: Low brightness linear prismatic lens, 50% DR (impact resistant) and 50% standard acrylic, 1/8" thickness, withstands 70 ft lbs impact.
Electrical: Thermally protected class "P" ballast C.B.M. approved, non PCB. If K.O. is within 3" of ballast, use wire suitable for at least 90°.
Labels: I.B.E.W./UL and ULc listed.

Job Information

Type:

Lightolier a Genlyte Thomas Company www.lightolier.com
Technical Information: (978) 657-7600 • Fax (978) 658-0595
631 Airport Road, Fall River, MA 02720 • (508) 679-8131 • Fax (508) 674-4710
We reserve the right to change details of design, materials and finish.
Copyright 2003 Lightolier **Section 6A/Folio P10-62**

LIGHTOLIER