

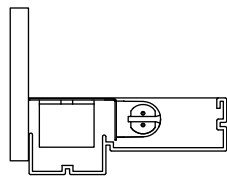
READ AND UNDERSTAND THESE INSTRUCTIONS BEFORE PROCEEDING.
RETAIN THESE INSTRUCTIONS FOR MAINTENANCE REFERENCE.

This fixture is intended for installation in accordance with the National Electrical Code and local regulations. To assure full compliance with local codes and regulations, check with your local electrical inspector before installation. To prevent electrical shock, turn off electricity at electrical panel before proceeding.

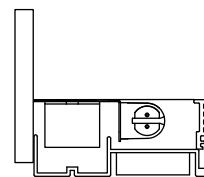
DO NOT INSTALL THIS SYSTEM IN A WET OR DAMP LOCATION.
DO NOT ENERGIZE ANYTHING OTHER THAN THE FIXTURES IN THE SYSTEM.
DO NOT OVERLOAD FEED CABLE, 10 AMP MAX FOR SJT 18-3 AND 7 AMP MAX FOR SJT 18-4 & 18-5.

THE FIXTURES IN THIS SYSTEM HAVE A POLARIZED MALE AND FEMALE PLUG AT EACH END, THESE PLUGS WILL SNAP TOGETHER SIMPLY BY PUSHING FIXTURES TOGETHER.

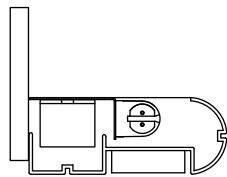
CONTRACTOR IS RESPONSIBLE FOR ADEQUATELY REINFORCING WALL TO SUPPORT FIXTURE WEIGHT.



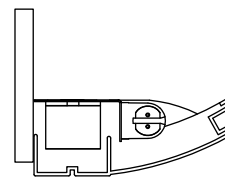
FW7100



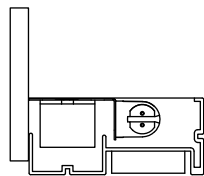
FW7400



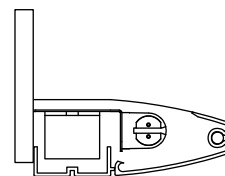
FW7200



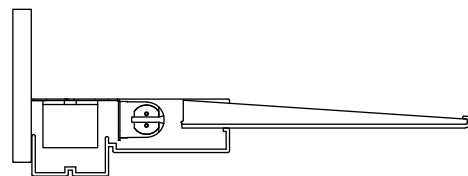
FW7500



FW7300



FW7600



FW7700

Feed is provided to row by means of a single gang outlet box rotated 90° located at any of the mounting points.

Non-feed mounting points could be outlet boxes or simply holes as shown in hole cluster pattern. (Fig. 1)

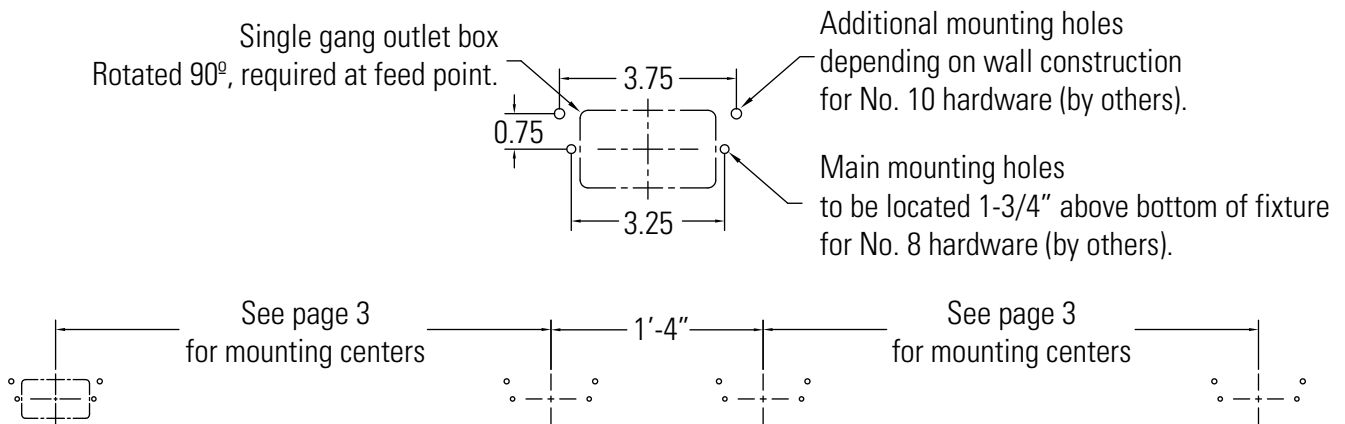


Figure 1

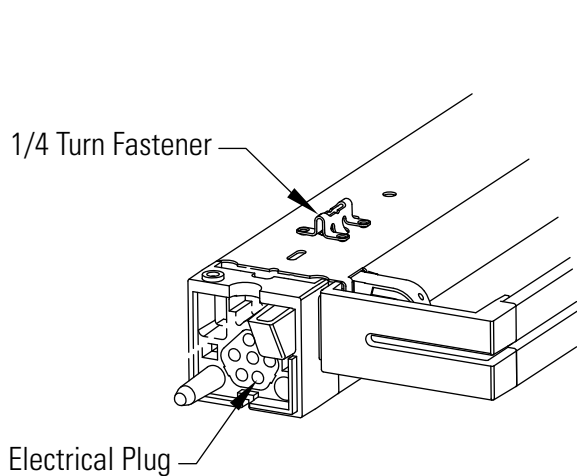


Figure 2

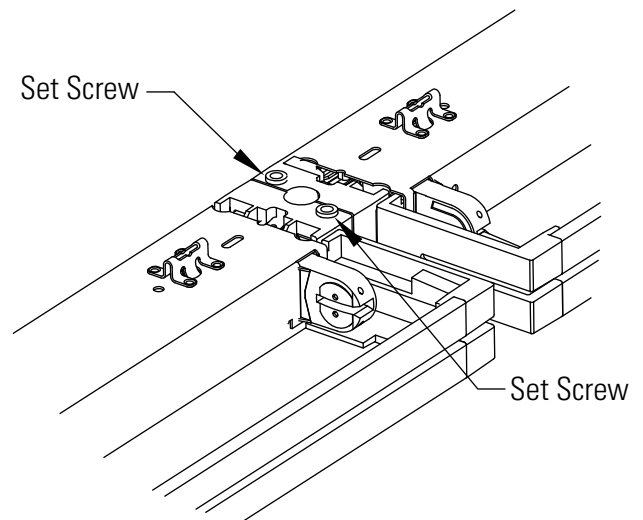
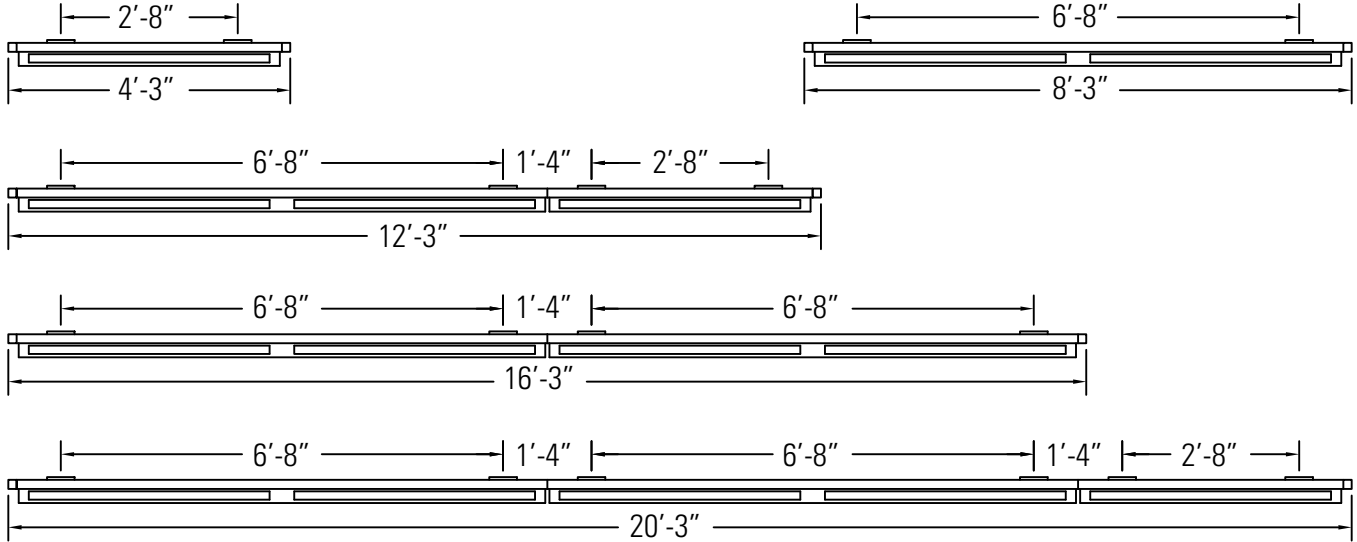


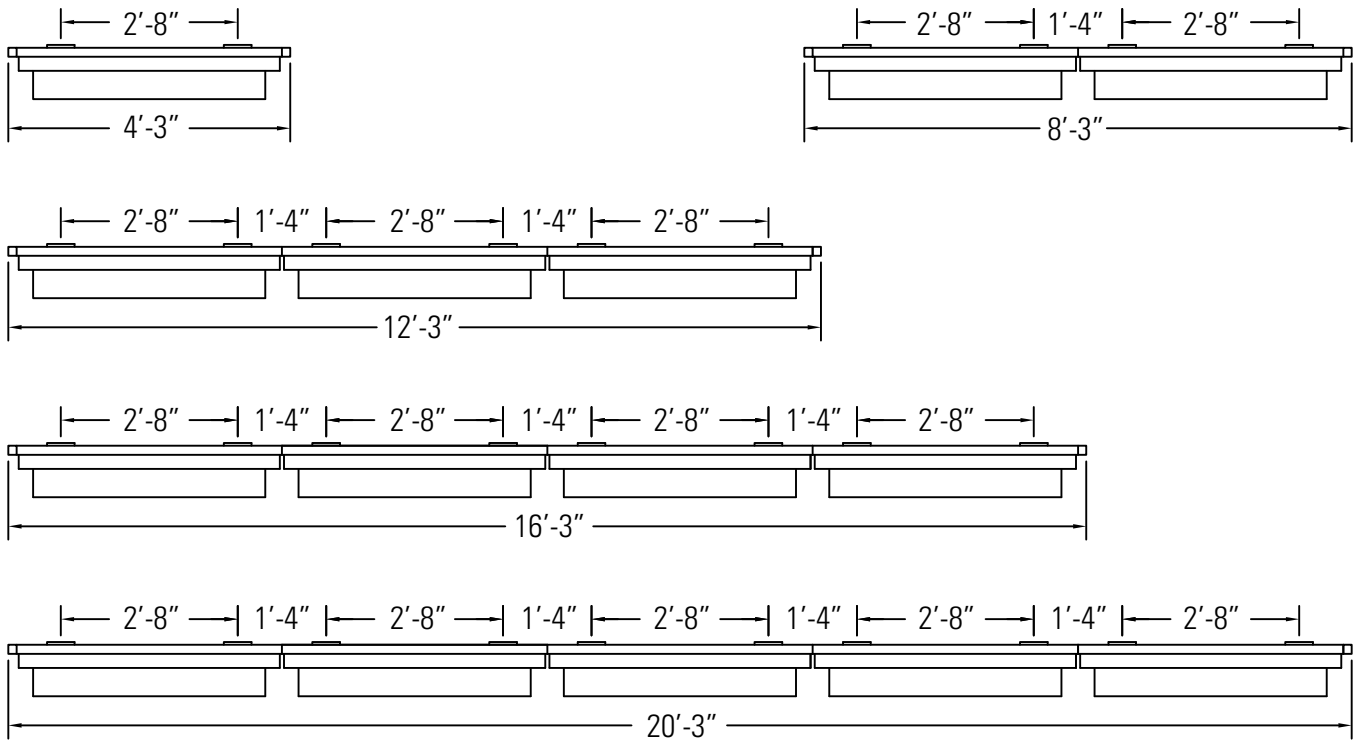
Figure 3

SAMPLE RUNS

Mounting center points for FW7100 through FW7600



Mounting center points for FW7700



The fixtures in this system have a polarized male or female plug at each end. These plugs will snap together simply by pushing fixtures together.

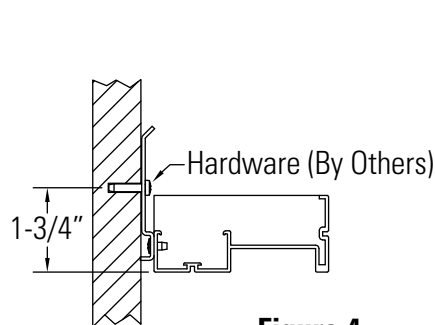


Figure 4

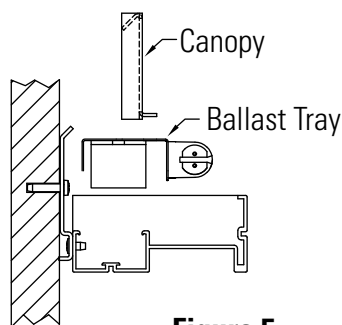


Figure 5

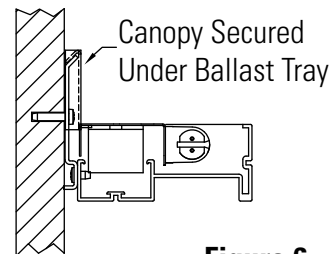


Figure 6

Step 1. Installing the First Fixture

Lift first fixture into position and secure to wall using adequate hardware (by others) holding a minimum of 50lbs. (Fig. 4) If this is the feed fixture then remove ballast tray out of fixture by turning 1/4 turn fasteners. Remove rectangular knockout out of ballast tray. Pull wires out of outlet box and splice into through wire harness. Relocate ballast tray with wall canopies in place and secure with 1/4 turn fasteners. (Fig. 5 & Fig. 6)

Step 2. Installing the Remaining Fixtures

Lift second fixture into position and push sideways against first fixture until power connector snaps together. (Fig. 2) Secure to wall using adequate hardware (by others) holding a minimum of 50lbs. Tighten down each of the top set screws at the joint between both fixtures. Be sure not to over-tighten (Fig. 3) Loosen ballast tray by turning 1/4 turn fasteners, insert wall canopies into place, re-secure ballast tray with 1/4 turn fasteners. (Fig. 5 & Fig. 6) Repeat Step 2 as many times as required to complete row.

Step 3. End Caps

- A. Push the end caps flush with the first and last fixtures in row.
- B. Tighten the top set screws. Be sure not to over-tighten.

INSTALL LENSES FOR FW7700

Step 1. Make sure the lens is fully engaged with the housing as shown below.

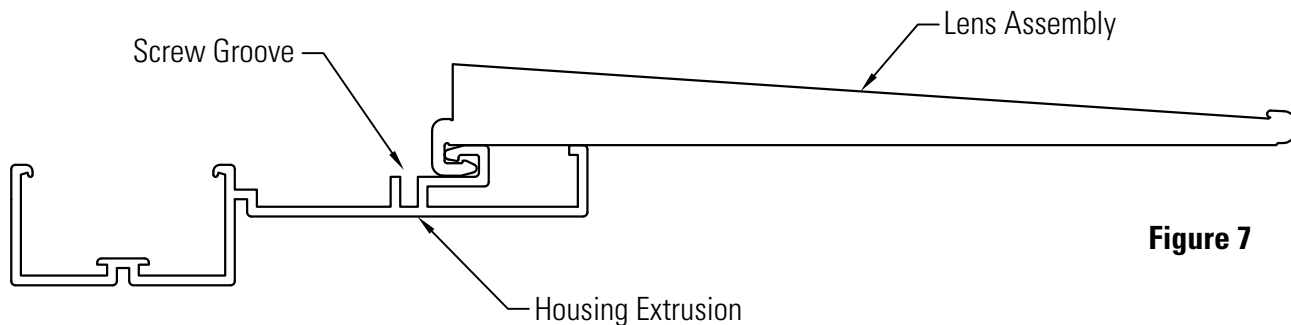


Figure 7

Step 2. Install (2) lens clips per lens. One right hand and one left hand utilizing the short screws provided.

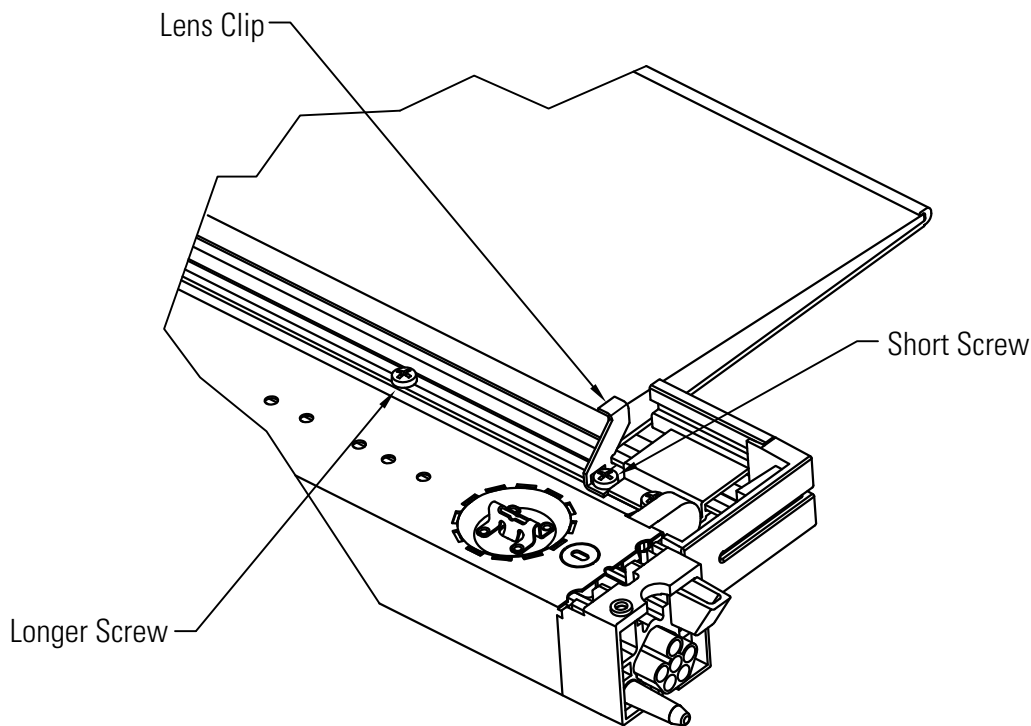


Figure 8

Step 3. Install 2 longer screws per lens along the housing screw groove approximately 6" from end of lens.