

Complete Fixture Minus Suspension Kit:

Spec ID	Powerhead	Inner Glass	Outer Glass	Lamp	Volts
FW02	PW13SA	SG01	NA	4-Pin Elect. Twin Tube 13W	120V
FW202	PW132SA	SG01	NA	4-Pin Elect. Twin Tube 13W	277V
FW02Q	PW13QSA	SG01	NA	4-Pin Quad Tube 13W	120V
FW201Q	PW132QSA	SG02	NA	4-Pin Quad Tube 13W	277V
IW02	PW50SA	SG01	NA	T-4 Mini-Can 50W	120V

*All suspension kits can be shortened to length in field with the exception of SMK and CTC.

Features

- Power Compartment:** Die Cast and Machined Aluminum Components. Brushed and Clear Lacquer Finish.
- Primary Glass:** Triplex Hand Blown Glass.
- Backplate:** Die Cast Aluminum, Brushed and Clear Lacquer Finish.

Lamping (by others)

Incandescent: 50W Max. T-4 Mini Candelabra

Compact Fluorescent:

General Electric	Osram/Sylvania	Philips
(1) 13W Twin Tube 4-Pin Compact Fluorescent Lamp		
N/A	CF13DS/E/*	N/A
(1) 13W Quad Tube 4-Pin Compact Fluorescent Lamp		
F13DBX/SPX*/4P	CF13DD/E/*	PL-CL3W/*/4P/ALTO

*Manufacturers Color Temperature Designation

Electrical

Lampholders

Incandescent: E11 Base, Porcelain, Plated Copper Alloy Screw Shell
Compact Fluorescent: 13W Twin: 2GX7 Base, High Impact Thermoset Polymer with Brass Contacts.
13W Quad: GX24Q-1 Base, High Impact Thermoset Polymer with Brass Contacts.

Ballasts: Fluorescent: Electronic	13 Watts	
Voltage	120	277
Total Input Watts	35	28
Max. Line Current (Amps)	.33	.18

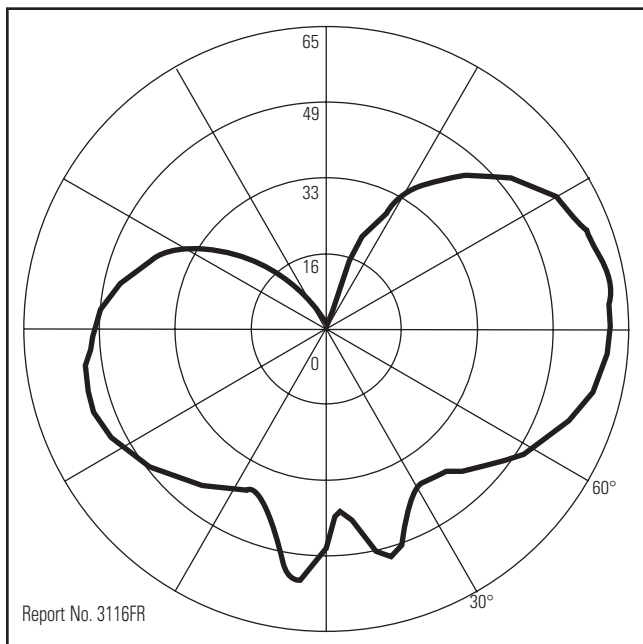
Labels

cULus Listed. Suitable for Damp Locations.

Job Information	Type:
Job Name:	
Cat. No.:	
Lamp(s):	
Notes:	

Lightolier a Genlyte company www.lightolier.com
 631 Airport Road, Fall River, MA 02720 • (508) 679-8131 • Fax (508) 674-4710
 We reserve the right to change details of design, materials and finish.
 © 2007 Genlyte Group LLC • C1207

Catalog No. FW02, 13W 4 Pin Twin Tube, 800 Lumens.



CANDLEPOWER SUMMARY

Angle	0°	45°	90°
0	45	45	45
5	40	42	51
10	47	50	56
15	51	55	53
20	47	50	47
25	42	45	43
30	39	42	41
39	39	41	42
40	40	43	44
45	43	46	47
50	46	48	49
55	48	51	52
60	51	54	54
65	54	57	56
70	56	59	58
75	58	61	60
80	60	63	61
85	61	64	61
90	61	64	61
95	61	65	61
100	62	65	61
105	61	65	60
110	60	64	58
115	59	62	56
120	57	60	53
125	54	57	50
130	51	53	46
135	47	50	42
140	43	46	37
145	39	41	31
150	33	35	24
155	27	28	16
160	19	19	9
165	11	10	4
170	4	4	2
175	2	2	1
180	1	1	1

ZONAL LUMENS AND PERCENTAGES

Zone	Lumens	%Lamp	%Fixt
0-30	38.44	4.8	6.5
0-40	64.77	8.1	10.9
0-60	146.09	18.3	24.6
0-90	325.97	40.7	55
90-120	173.56	21.7	29.3
90-130	213.56	26.7	36
90-150	258.21	32.3	36
90-180	267.22	33.4	45
0-180	593.19	74.1	100

** Efficiency = 74.1% **

COEFFICIENTS OF UTILIZATION

Ceiling	80%		70%		50%		30%		0			
	70	50	30	10	50	10	50	10				
Wall	70	50	30	10	50	10	50	10	0			
RCR	Zonal Cavity Method - Effective Floor Reflectance = 20%											
Room Cavity Ratio	0	80	80	80	80	75	75	64	64	45	45	41
	1	69	64	60	56	59	52	50	44	34	30	26
	2	62	54	48	43	50	40	42	34	27	23	19
	3	55	46	40	34	43	32	36	27	23	18	15
	4	50	40	33	28	37	26	31	22	20	14	12
	5	46	36	29	23	33	22	27	18	18	12	9
	6	42	32	25	20	29	18	24	16	16	10	8
	7	39	28	22	17	26	16	22	13	14	9	7
	8	36	26	19	15	24	14	20	12	13	8	6
	9	33	23	17	13	22	12	18	10	12	7	5
10	31	21	16	12	20	11	17	9	11	6	5	

Determined In Accordance With Current IES Published Procedures
Luminaire Input Watts =

Job Information Type:

Lightolier a Genlyte company www.lightolier.com
 631 Airport Road, Fall River, MA 02720 • (508) 679-8131 • Fax (508) 674-4710
 We reserve the right to change details of design, materials and finish.
 © 2007 Genlyte Group LLC • C1207