

6. Louver Shielding

Ordering Information

Family	Series	Type	Lamps	Color	Wattage	Voltage	Length
FW7	4	4	1	AL = Aluminum WH = White	1 = 28W 2 = 54W 3 = 28W Dimming 4 = 28W EM 5 = 54W Dimming 6 = 54W EM	1 = 120v 2 = 277v	4 = 4' (121.92cm) 8 = 8' (243.84cm)
	4 = Block w/ Lens	4 = Louver	1 = 1 Lamp				

Complete Ordering Instructions below.

Features

- Housing:** Single piece of high purity extruded aluminum, a portion from recycled material. Extruded acrylic lens reveal installed on the top of the housing, runs the length of the housing.
- Housing End:** Die-cast aluminum, welded in place.
- End Cap:** Die-cast aluminum. Encloses the end of the run.
- Lamps:** F28T5 or F54T5HO as specified. By others. Installed from the ceiling side of the luminaire.
- Ballast:** Electronic. Meets ANSI starting, end-of-life protection and sound rating specifications. Low THD.
- Shielding:** Integral, regressed flat louver blades punched and formed from fixture housing, finished to match, no light leaks. Blades are 0.56" (1.42cm) high on 0.75" (1.91cm) centers.

Electrical

Connections: Pre-wired with 18 gauge wires and polarized cannon plug connectors for simultaneous mechanical/electrical connection.

Emergency Battery Pack: 90 minute operation, 700 lumens for 54W and 520 lumens for 28W.

Dimming: Advance Mark X standard (no additional wires required); use compatible dimmer. Dimming ballasts using additional control wires (e.g. Lutron Hi-Lume or ECO-10, Osram) can be used; consult factory and use X4 or X5 power feeds with additional leads, as appropriate. Ballast not to exceed 1.25" (3.18cm) wide by 1.20" (3.05cm) high.

iGEN: F7000 accepts iGEN (DALI) with supplemental 2-wire control technology. Use with X5 power feed.

Power Tray: Code-gauge, die-formed steel, pre-paint white enamel finish; secured by quarter-turn fasteners for easy access to wiring. Holds ballasts, sockets, and wiring. Accepts ballasts up to 1.25" (3.18cm) wide by 1.20" (3.05cm) high.

Factory installed ballast disconnect allows the ballast to be disconnected from and reconnected to incoming power under load without turning the entire circuit off.

Finish

Powder-coated, baked enamel, white or aluminum, as specified.

Mounting

Each module includes two wall-mounting brackets. Bracket hole pattern accommodates junction box (single gang box rotated 90 degrees) or other appropriate mounting method using customer supplied fasteners.

Labels

UL, cUL and I.B.E.W.

Ordering Instructions

Individual Fixtures:

- Order one MODULE.
- Order one END SET.

Continuous Rows:

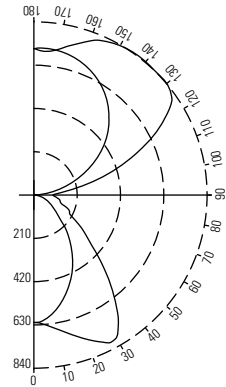
- Order the appropriate number of MODULES for the complete run.
- Order one END SET.

Job Information	Type:
Job Name:	
Cat. No.:	
Lamp(s):	
Notes:	

631 Airport Road, Fall River, MA 02720 • (508) 679-8131 • Fax (508) 674-4710
 We reserve the right to change details of design, materials and finish.
 www.lightolier.com © 2008 Philips Group • E0808

Performance

CANDLEPOWER CURVE



REPORT NO.: ITL54690.IES
 LAMPS: 1-F54T5
 LUMENS: 5000 each
 EFFICIENCY: 81.7%
 CAT. NO.: F7441WH214

ZONE DEG.	CANDLEPOWER				
	0	22	45	67	90
	CANDELAS				
0	618	618	618	618	618
5	631	627	624	612	606
15	701	672	618	559	532
25	787	717	597	488	433
35	712	667	548	394	319
45	462	442	402	282	206
55	286	264	225	173	123
65	191	171	144	118	80
75	133	129	108	78	42
85	107	98	74	43	8
90	92	84	61	31	0
95	127	126	113	98	35
105	350	355	345	313	155
115	611	613	581	433	285
125	818	789	675	543	412
135	841	817	738	621	515
145	844	828	771	664	600
155	822	813	762	688	661
165	756	749	727	700	700
175	699	700	707	710	713
180	710	710	710	710	710

COEFFICIENTS OF UTILIZATION
 % EFFECTIVE CEILING CAVITY REFLECTANCE

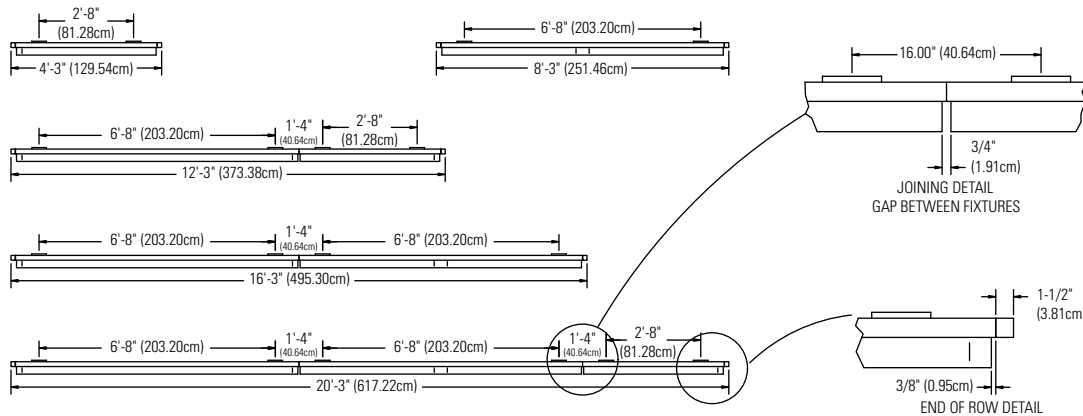
ROOM CAVITY RATIO	WALL REFLECTANCE								
	80%			70%			50%		
	50	30	10	50	30	10	50	30	10
0	85	85	85	76	76	76	61	61	61
1	73	70	67	67	64	62	53	51	49
2	65	60	56	58	54	50	47	44	42
3	57	51	47	51	47	43	42	38	35
4	50	45	40	46	41	36	37	33	30
5	45	39	34	41	35	31	33	29	26
6	40	34	29	37	31	28	29	26	23
7	36	30	26	33	28	24	27	23	20
8	33	27	23	30	25	21	25	21	18
9	30	24	20	28	22	19	23	19	16
10	28	22	18	26	20	17	21	17	14

20% FLOOR CAVITY REFLECTANCE

DISTRIBUTION

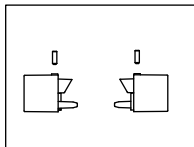
Zone	Lumens	% Lamp	% Luminaire
0 - 90	1339	26.6	33.0
90 - 180	2748	55.1	67.0
0 - 180	4087	81.7	100.0

Fixture Lengths & Mounting Reflected (Plan View)



Recommended mounting is a single gang outlet box rotated 90 degrees at the feed point. Remaining mounting points could be outlet boxes as well, or a couple of holes per mounting point spaced 3-1/4" (8.26cm) at 1-3/4" (4.45cm) above the bottom of fixture.

Mounting Accessories



Wall Mount End Set
 FW7EWH = White
 FW7EAL = Aluminum

Job Information Type:

631 Airport Road, Fall River, MA 02720 • (508) 679-8131 • Fax (508) 674-4710
 We reserve the right to change details of design, materials and finish.
 www.lightolier.com © 2008 Philips Group • E0808