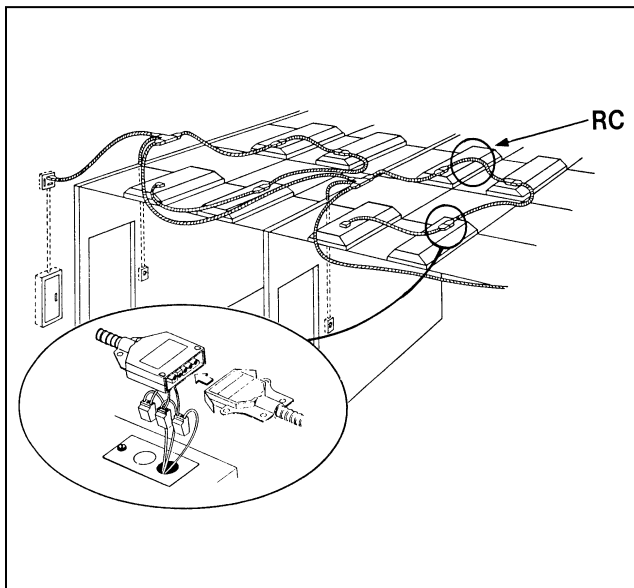


## Features

- Combination of external fixture adapter and armored cable.
- Cables can be rotated 180° in either direction for proper cable orientation to prevent strain on connection.
- Suitable for use in return air spaces above suspended ceilings in accordance with 1999 N.E.C. 300-22 (c) and 604-3.
- Rated for 20 amp 120 and 277 volt lighting circuits.
- Connector polarized and color-coded for voltage function to prevent mismatching of components.
- #12 AWG THHN stranded copper, 600 volt.
- Fixture taps that are #18 AWG TFN solid copper conductors, connected to "Poke-Home" connectors.
- Positive latching steel spring latches engage with easy push action.
- Pin and socket contacts.
- Meets UL requirements for making or breaking under load.
- I.B.E.W./UL and C-UL labeled.

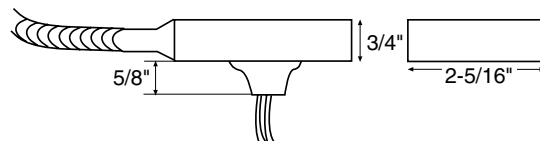


## APPLICATION

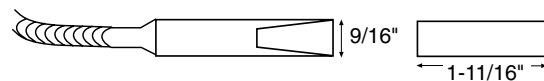


Quick and easy field-installed by plugging ballast leads into "Poke Home" connectors, no wirenuts required. Snaps into standard 1/2" knockout. EZ-Connect cables add maximum of 7/8" to fixture height, available in 1, 2 or 3 circuits.

## DIMENSIONS



\*When installed, RC cable adds 7/8" to fixture height.



### Job Information

### Type:

**Job Name:**

**Cat. No.:**

**Lamp(s):**

**Volts/Ballast:**

Lightolier a Genlyte Thomas Company

www.lightolier.com

Technical Information: (978) 657-7600 • Fax (978) 658-0595

631 Airport Road, Fall River, MA 02720 • (508) 679-8131 • Fax (508) 674-4710

We reserve the right to change details of design, materials and finish.

© 2002 Genlyte Thomas Group LLC (Lightolier Division)

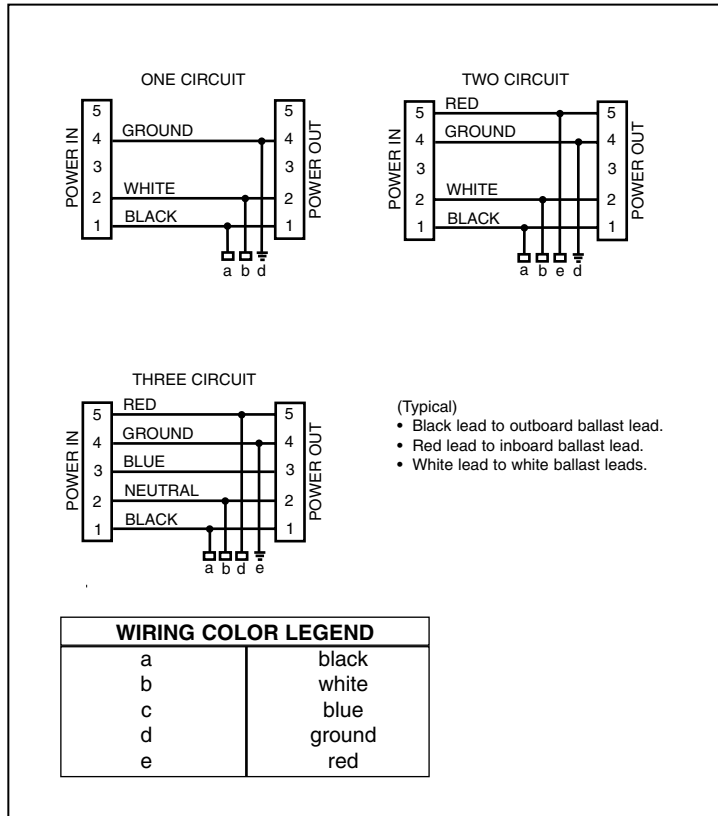
A0902

OPTIONS/ACCESSORIES/Folio OA40-10

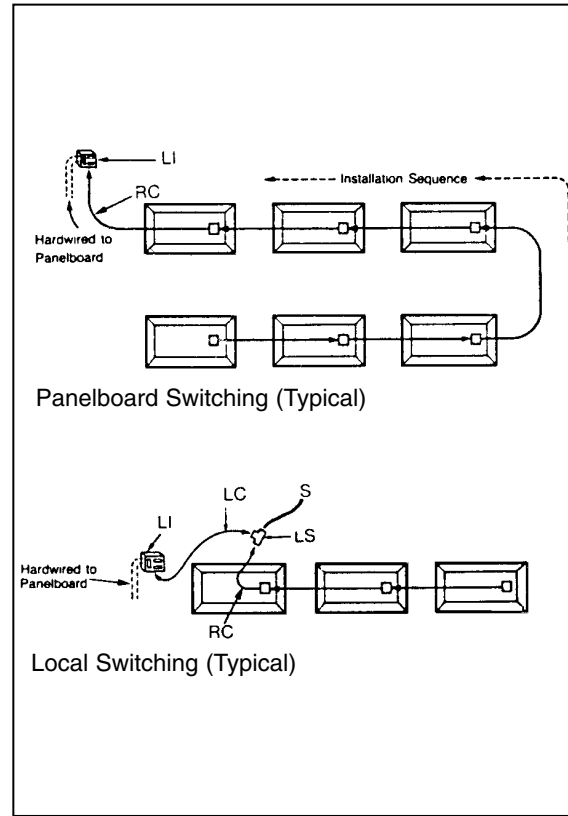
# LIGHTOLIER®



**WIRING DIAGRAM**

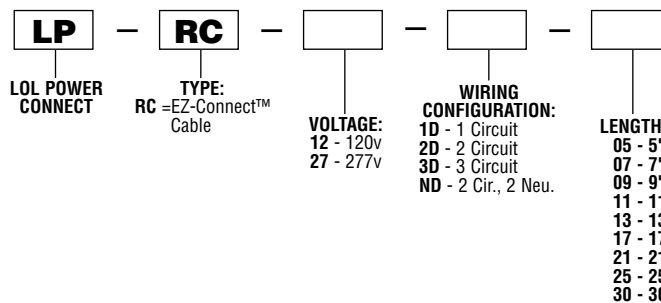


**WIRING**



**ORDERING INFORMATION**

Explanation of Catalog Number. Example: LP-RC-12-1D-05



**SPECIFICATIONS**

- UL and C-UL Listed.
- IBEW labeled.
- Suitable for use in return air spaces above suspended ceilings in accordance with 1999 N.E.C. 300-22 (c) and 604.3.
- Meets UL requirements for making or breaking under load.
- Pin and socket contacts.
- Rated for 20 amp 120 and 277 volt lighting circuits.
- Connector polarized and color-coded for voltage function to prevent mismatching of components.
- #12 AWG THHN stranded copper, 600 volt.
- Fixture taps that are #18 AWG TFN solid copper conductors, connected to "Poke-Home" connectors.
- Positive latching steel spring latches engaged with easy push action.

**Job Information** **Type:**

**Lightolier** a Genlyte Thomas Company [www.lightolier.com](http://www.lightolier.com)  
 Technical Information: (978) 657-7600 • Fax (978) 658-0595  
 631 Airport Road, Fall River, MA 02720 • (508) 679-8131 • Fax (508) 674-4710  
 We reserve the right to change details of design, materials and finish.  
 © 2002 Genlyte Thomas Group LLC (Lightolier Division)  
 A0902 **OPTIONS/ACCESSORIES/Folio OA40-10**

**LIGHTOLIER**®