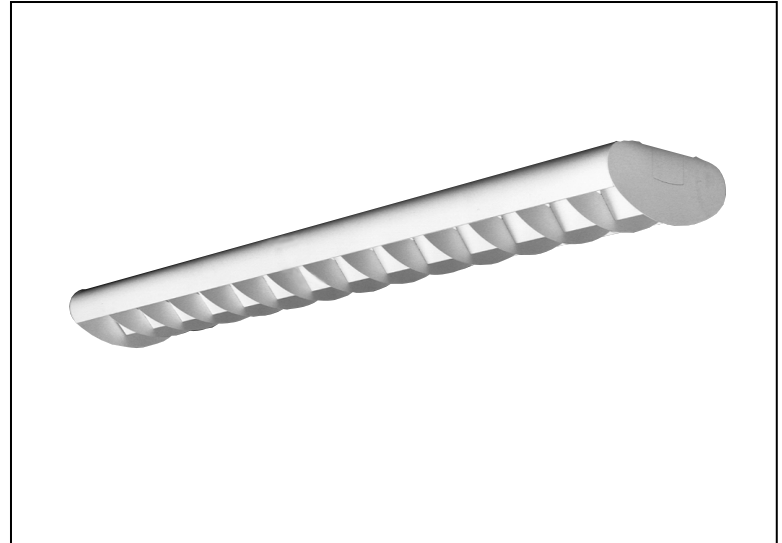


# EYE-Q INDIRECT/DIRECT OR DIRECT EYS SERIES 25° LOUVER

## Features

- Ideal for schools, offices or stores.
- 60% uplight, 40% downlight distribution.
- Can be pendant or surface mounted.
- Top reflectors available for downlight only.
- 88.6% efficient.
- 33° x 25° steel louver with safety chain.
- 48" or 96" modular lengths.
- Can be stem or cable mounted at fixture joints.
- 20 gauge steel housing.
- 18 gauge steel fixture ends.
- 22 gauge steel side reflectors.
- 22 gauge steel louver.
- Electronic ballast for 4' T8 lamps is standard.
- 1-3/4" x 2" easy tear-out flush K.O. for thru wiring.
- Flat white acrylic baked enamel (post painted).
- Meets NYC Code requirements.



## MOUNTING METHODS



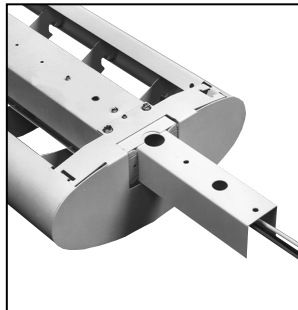
**Louver hinges** from either side.  
Safety chain is standard.



1-3/4" x 2" Flush K.O. easy tear-out  
for thru wiring.

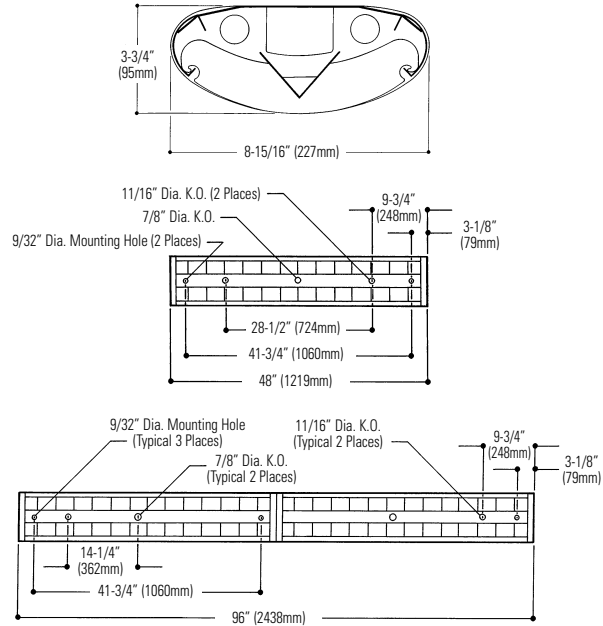


**Slide Grip Hanger** can be used at  
joint or along channel. (Can not be  
used with top reflector)  
Order Catalog Number  
**EY SLIDE GRIP.**



**Coupler** required for  
continuous row mounting.  
Order Catalog Number  
**EY COUPLER.**

## DIMENSIONS



### Job Information

### Type:

**Job Name:**

**Cat. No.:**

**Lamp(s):**

**Volts/Ballast:**

Lightolier a Genlyte Thomas Company

www.lightolier.com

Technical Information: (978) 657-7600 • Fax (978) 658-0595

631 Airport Road, Fall River, MA 02720 • (508) 679-8131 • Fax (508) 674-4710

We reserve the right to change details of design, materials and finish.

© 2002 Genlyte Thomas Group LLC (Lightolier Division)

A0902

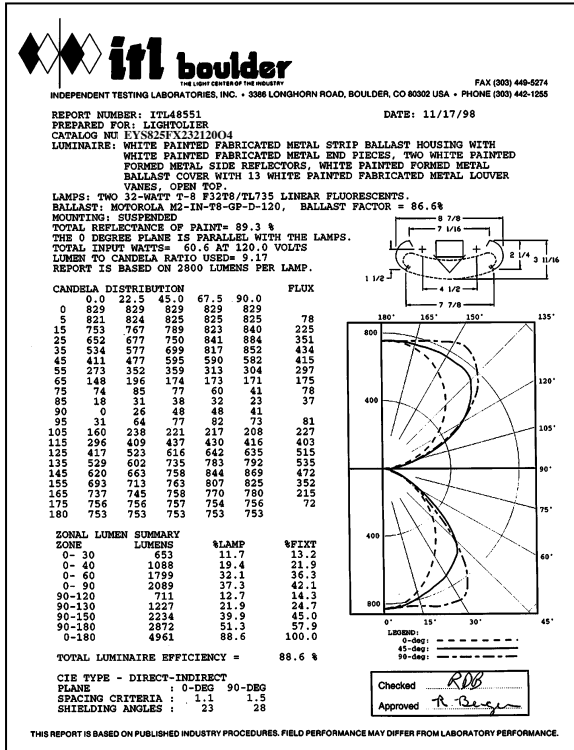
**SECTION 5/Folio K40-10**

**LIGHTOLIER**

# EYE-Q INDIRECT/DIRECT OR DIRECT EYS SERIES 25° LOUVER

## PHOTOMETRY

MODEL NO. EYS825FX23212004



### coefficients of utilization — zonal cavity method

room cavity ratio	20			50			80		
	RF	RC	RW	RF	RC	RW	RF	RC	RW
1	85	82	78	62	60	58	50	48	47
2	78	72	67	54	51	49	44	42	40
3	71	63	57	48	44	41	39	36	34
4	65	56	49	43	39	35	35	32	29
5	60	50	43	39	34	30	32	28	26
6	55	45	38	35	30	27	29	25	22
7	51	41	34	32	27	23	26	22	20
8	47	37	30	29	24	21	24	20	18
9	44	34	27	26	22	19	22	18	16
10	41	31	24	24	20	17	20	17	14

Louver Shielding: 33° Crosswise  
25° Lengthwise

## ORDERING INFORMATION

Explanation of Catalog Number. Example: EYS825FX23212004

<b>EY</b> EYE-Q: Suspended/ Surface Fluorescent Luminaire	<b>S</b> SIDE: S=Solid	<b>25</b> FIXTURE LENGTH: 4=48" 8=96"	<b>F</b> FINISH: F= Flat White (standard)	<b>2</b> LAMP QUANTITY (Nominal 48") 2-Lamps (Nominal 96") 2-Lamps in tandem (4 lamps)	<b>32</b> LAMP/TYPE: 32 Watt T8	<b>120 or 277</b> VOLTAGE: 120 or 277	<b>S0</b> BALLAST TYPE: S0=Electronic (T8) (2 lamps) O4=1-4 Lamp Elect. (T8) (8' only)	<b>GLR</b> OPTIONS: Add appropriate suffix to catalog no., ie: (GLR)
		<b>25°</b> SHIELDING: 25° Louver Cut-off	<b>X</b> MOUNTING: X=No Reflector (Uplight/Downlight) S=Top Reflector (Downlight Only)					

## OPTIONS & ACCESSORIES

**STEM AND CANOPY SETS:** Suspend fixture 6", 12", 18" or 24" from surface.  
Catalog Number: **ASC6 CSP** (6"), **ASC12 CSP** (12"), **ASC18 CSP** (18"),  
**ASC24 CSP** (24").

**FUSING:** Internal fast-blow fusing. Suffix: **GLR**.  
Internal slow-blow fusing. Suffix: **GMF**.

**EMERGENCY PACK:** Factory-installed emergency power battery pack with  
charger and inverter, LP400 or equal, 120 or 277 volt. Suffix: **LP400**.

**CABLE HANGERS:** Adjustable 6"-60"

**Single Cable and Canopy:** Catalog Number **WC60**.

**Single Cable, Straight Cord and Canopy:** Catalog Number **WCC60**.

**Single Cable, Coil Cord and Canopy:** Catalog Number **WCCC60**.

## SPECIFICATIONS

**MATERIALS: Housing** is die-formed 20 gauge cold rolled steel full length  
channel for thru wiring.

**Fixture Ends:** 18 gauge cold rolled steel with 1-3/4" x 2" flush K.O. for thru  
wiring.

## SPECIFICATIONS (continued)

**Louver:** 22 gauge cold rolled steel.

**Side Reflectors:** Solid 22 gauge cold rolled steel.

**FINISH:** Post painted white acrylic baked enamel.

**ELECTRICAL:** Electronic instant start (<20 THD) thermally protected class "P"  
HPF non PCB, UL Listed, CSA Certified ballast for T8 lamps. If K.O. is within 3"  
of ballast, use wire suitable for 90°.

**LABELS:** I.B.E.W. UL and ULc Listed.

## Job Information

Type:

Lightolier a Genlyte Thomas Company

www.lightolier.com

Technical Information: (978) 657-7600 • Fax (978) 658-0595

631 Airport Road, Fall River, MA 02720 • (508) 679-8131 • Fax (508) 674-4710

We reserve the right to change details of design, materials and finish.

© 2002 Genlyte Thomas Group LLC (Lightolier Division)

A0902

SECTION 5/Folio K40-10

LIGHTOLIER