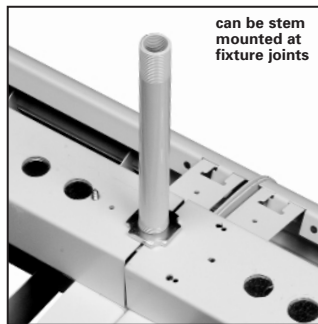


## Features

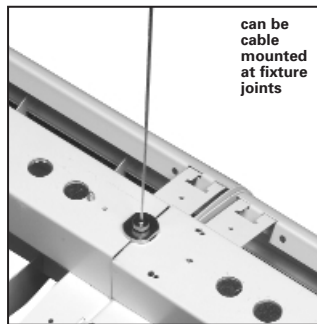
- Energy savings replacement for HID Low or High Bay.
- Ideal for stores, schools, labs, warehouses.
- 90% downlight, 10% uplight.
- 89.0% efficient (4 lamp 54W T5). 79.4% efficient (4 lamp 32W T8).
- 1.1 spacing mounting ratio (4 lamp 54W T5).
- 1.0 spacing mounting ratio (4 lamp 32W T8).
- Can be pendant or surface mounted.
- 48" or 96" modular lengths.
- 95% reflective Specular Aluminum top Reflector.
- 20 gauge steel housing. 18 gauge steel ends.
- 22 gauge steel side reflectors.
- Flat white acrylic baked enamel, post painted.
- Louver can hinge from either side.
- Louver safety chain standard.
- Removeable upper end cap for thru wiring.
- Can be stem or cable mounted at fixture joints.
- K.O. in upper end cap for occupancy sensor.
- Heavy duty coupler available.
- Meets NYC Code requirements.



## Mounting Methods



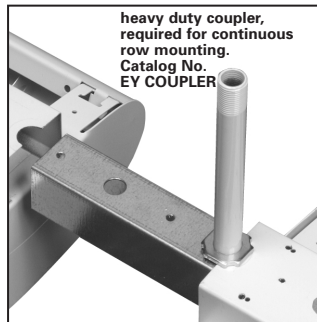
can be stem mounted at fixture joints



can be cable mounted at fixture joints



can be suspended with chain hanger sets  
Catalog No. AH5 CSP



heavy duty coupler, required for continuous row mounting.  
Catalog No. EY COUPLER

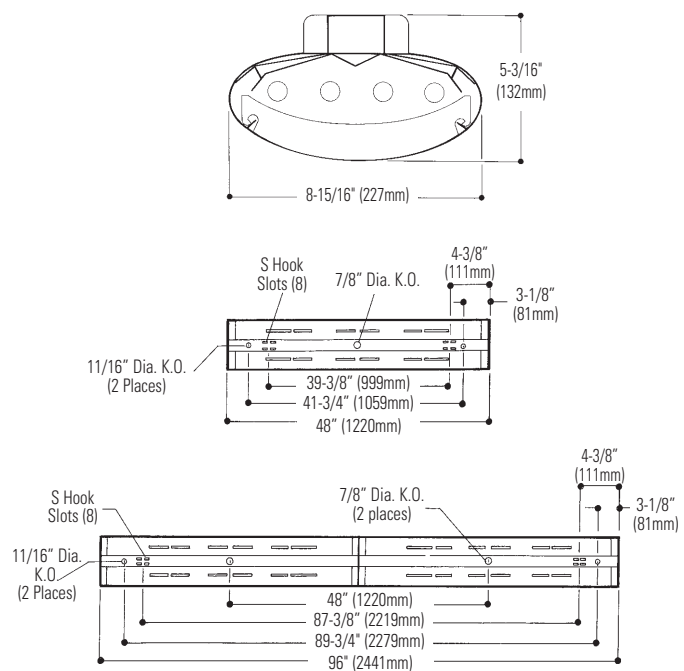


optional occupancy sensor see folio OA60-10

**Luminaire-Mounted Motion Sensor**  
360° coverage, up to 45 ft. mounting distance. Field installed. Catalog Number: **FHB360**.

- Line voltage accepts 120 through 347 volt applications.
- Uses passive infrared (PIR) technology shielded by a fresnel lens; upon detection of infrared energy levels, the sensor is triggered and switches the light on.
- Light shuts off after a time delay unit that is factory preset at 10 minutes, manually adjustable from 30 sec. to 20 min. using tool included.
- Mounts on either end using 7/8" knockouts provided.

## Dimensions



## Job Information

## Type:

**Job Name:**

**Cat. No.:**

**Lamp(s):**

**Volts/Ballast:**

Lightolier a Genlyte company [www.lightolier.com](http://www.lightolier.com)  
Technical Information: (978) 657-7600 • Fax (978) 658-0595  
631 Airport Road, Fall River, MA 02720 • (508) 679-8131 • Fax (508) 674-4710  
We reserve the right to change details of design, materials and finish.  
© 2005 a Genlyte company **Section 5/Folio K60-25**

**LIGHTOLIER**



# Eye-QLB EYS414FR454

## 14 Cell Louver, 90% Downlight, 10% Uplight 48" Length 4 Lamp T5/T8, 96" Length 4 Lamp T5/T8 in Tandem

### Model No. EYS414FR432UNVH4

LER = FP - 70.5 IW - 112.3 BF - 0.88  
Comparative yearly lighting energy cost per  
1000 lumens = \$3.40

Report Number: G2005256  
Catalog Number: EYS414FR432UNVH4  
Lamps: F32T8/TL841  
Luminaire: Eye-QLB with solid sides, 14 cell  
flat white louver and 10% uplight specular  
reflector  
Ballast: Triad QTP432T8  
Report is based on 2850 Lumens per lamp.  
Efficiency: 79.4%  
CIE Type-Direct-Indirect  
Plane: 0-Deg 90-Deg  
Spacing Criteria: 1.1 1.0  
Shielding Angles: 90 90  
Plane: 0-Deg 90-Deg  
Luminous Length: 48.000 9.000  
Height of Side: 3.960 3.960

#### COEFFICIENTS OF UTILIZATION - ZONAL CAVITY METHOD. EFFECTIVE FLOOR CAVITY REFLECTANCE 0.20

RC	80	50	30
RW	70	50	30
1	85	81	78
2	78	71	66
3	71	63	57
4	65	56	49
5	60	50	44
6	56	45	39
7	52	41	35
8	48	38	31
9	45	35	29
10	42	32	26

#### LUMINANCE DATA IN CANDELA/SQ. METER

AVERAGE IN DEG.	AVERAGE 0-DEG.	AVERAGE 45-DEG.	AVERAGE 90-DEG.
45	8434.	7114.	7693.
55	6618.	6239.	6659.
65	4252.	4874.	5087.
75	2849.	3263.	2906.
85	1525.	2024.	573.

#### CANDELA DISTRIBUTION

	0.0	45.0	90.0	FLUX
0	3744	3744	3744	
5	3655	3645	3645	344
15	3353	3212	3242	916
25	2910	2735	2806	1283
35	2380	2219	2458	1440
45	1800	1769	2184	1441
55	1183	1370	1734	1235
65	591	896	1165	872
75	268	465	554	464
85	72	196	84	166
90	6	131	28	
95	22	89	32	70
105	63	93	58	78
115	108	101	131	111
125	153	111	125	121
135	196	184	132	135
145	234	246	217	124
155	263	265	274	124
165	285	284	286	80
175	295	288	290	28
180	291	291	291	

#### ZONAL LUMEN SUMMARY

ZONE	LUMENS	% LAMP	% FIXT
0- 30	2543	22.3	28.1
0- 40	3983	34.9	44.0
0- 60	6659	58.4	73.5
0- 90	8160	71.6	90.1
90-120	259	2.3	2.9
90-130	380	3.3	4.2
90-150	662	5.8	7.3
90-180	894	7.8	9.9
0-180	9054	79.4	100.0

### Model No. EYS414FR454UNVVP

LER = FP - 69.4 IW - 225.8 BF - 1.00  
Comparative yearly lighting energy cost per  
1000 lumens = \$3.46

Report Number: G2005269  
Catalog Number: EYS414FR454UNVVP  
Lamps: FP54/835  
Luminaire: Eye-Q LB with solid sides, 14  
cell flat white louver and 10% uplight  
specular reflector.  
Ballast: Universal B2541UNV-E  
Report is based on 4400 Lumens per lamp.  
Efficiency: 89.0%  
CIE Type-Direct-Indirect  
Plane: 0-Deg 90-Deg  
Spacing Criteria: 1.1 1.1  
Shielding Angles: 90 90  
Plane: 0-Deg 90-Deg  
Luminous Length: 48.000 9.000  
Height of Side: 3.960 3.960

#### COEFFICIENTS OF UTILIZATION - ZONAL CAVITY METHOD. EFFECTIVE FLOOR CAVITY REFLECTANCE 0.20

RC	80	50	30
RW	70	50	30
1	95	91	87
2	87	79	74
3	79	70	63
4	73	62	55
5	67	56	48
6	62	50	43
7	57	46	38
8	54	42	35
9	50	39	31
10	47	36	29

#### LUMINANCE DATA IN CANDELA/SQ. METER

AVERAGE IN DEG.	AVERAGE 0-DEG.	AVERAGE 45-DEG.	AVERAGE 90-DEG.
45	14099.	12793.	12628.
55	11266.	10502.	10322.
65	7622.	8039.	10877.
75	5118.	6518.	6918.
85	2775.	3386.	1051.

#### CANDELA DISTRIBUTION

	0.0	45.0	90.0	FLUX
0	5838	5838	5838	
5	5741	5845	5976	560
15	5336	5646	5661	1567
25	4668	4706	4620	2166
35	3868	3734	4388	2490
45	3009	3181	3585	2478
55	2014	2306	2688	2042
65	1057	1478	2491	1619
75	483	929	1319	952
85	131	328	154	290
90	11	210	44	
95	45	136	45	109
105	155	169	99	138
115	272	102	265	177
125	386	111	80	156
135	491	206	106	196
145	583	363	220	237
155	654	489	409	235
165	705	624	570	177
175	728	713	710	68
180	724	721	724	

#### ZONAL LUMEN SUMMARY

ZONE	LUMENS	% LAMP	% FIXT
0- 30	4293	24.4	27.4
0- 40	6784	38.5	43.3
0- 60	11303	64.2	72.2
0- 90	14164	80.5	90.5
90-120	424	2.4	2.7
90-130	580	3.3	3.7
90-150	1013	5.8	6.5
90-180	1493	8.5	9.5
0-180	15667	89.0	100.0

## Ordering Information

Explanation of Catalog Number. Example: EYS414FR432UNVH4

<b>EY</b> Eye-Q LB: Suspended/ Surface Fluorescent Luminaire	<b>S</b> S=Solid Sides	<b>14</b> 14= 14 Cell Louver 1 Row	<b>F</b> Finish: F= Flat White	<b>R</b> R= 10% Uplight Reflector	<b>4</b> Lamp Quantity: 4=4 Lamp 4 Lamps in Tandem for 96" Units	<b>32=T8</b> Lamp Type: (By Others) 32=T8 28=T5 54=T5 (Nominal 48")	<b>120, 277 or UNV=120-277</b> Voltage:	<b>Ballast Type:</b> 2-2 or 4-2 Lamp Elec. T8 1-4 or 2-4 Lamp Elec. T8 2-2 or 4-2 Lamp 28W Elec. T5 1-4 or 2-4 Lamp 54W Elec. T5 2-2 or 4-2 Lamp 28W or 54W Elec. T5 LOL T8 Dimming	<b>Options:</b> Add appropriate suffix to catalog no., ie: (GLR)
---	------------------------------	---	---	---	--	---	--	---	---

## Options/Accessories

**Stem and Canopy Sets:** Suspends fixture 6", 12", 18" or 24" from surface.  
Catalog Number: **ASC6 CSP** (6"), **ASC12 CSP** (12"), **ASC18 CSP** (18"),  
**ASC 24 CSP** (24").

**Fusing:** Internal fast blow fusing: SUFFIX: **GLR**.  
Internal slow blow fusing: SUFFIX: **GMF**.

**Emergency Pack:** Factory-installed emergency power battery pack with  
charger and inverter. SUFFIX: **LP400** (T8), **LP550** (T5).

**Cable Hangers:** Adjustable 6"-60".

**Single Cable and Canopy:** Catalog Number: **WC60**.

**Single Cable, Straight Cord and Canopy:** Catalog Number: **WCC60\*\***.

**Single Cable, Coil Cord and Canopy:** Catalog Number: **WCC60\*\***.

**Chain Hanger Kits:** Catalog Number: **AH5 CSP**.

\*\*Cord, 3-#18 wires.

## Specifications

**Materials: Housing** is die-formed 20 gauge cold rolled steel with full length  
channel for thru wiring.

**Fixture Ends:** 18 gauge cold rolled steel.

**Louver:** 22 gauge cold rolled steel.

**Side Reflectors:** Solid 22 gauge cold rolled steel.

**Finish:** Post painted white acrylic baked enamel.

## Specifications (continued)

**Electrical:** Thermally protected class "P" ballast C.B.M. approved, non PCB. If  
K.O. is within 3" of ballast, use wire suitable for at least 90°.  
UL Listed for damp locations.

**Labels:** I.B.E.W./UL and ULc Listed.

Job Information	Type:
-----------------	-------

**Lightolier** a Genlyte company [www.lightolier.com](http://www.lightolier.com)  
Technical Information: (978) 657-7600 • Fax (978) 658-0595  
631 Airport Road, Fall River, MA 02720 • (508) 679-8131 • Fax (508) 674-4710  
We reserve the right to change details of design, materials and finish.  
© 2005 a Genlyte company **Section 5/Folio K60-25**

