

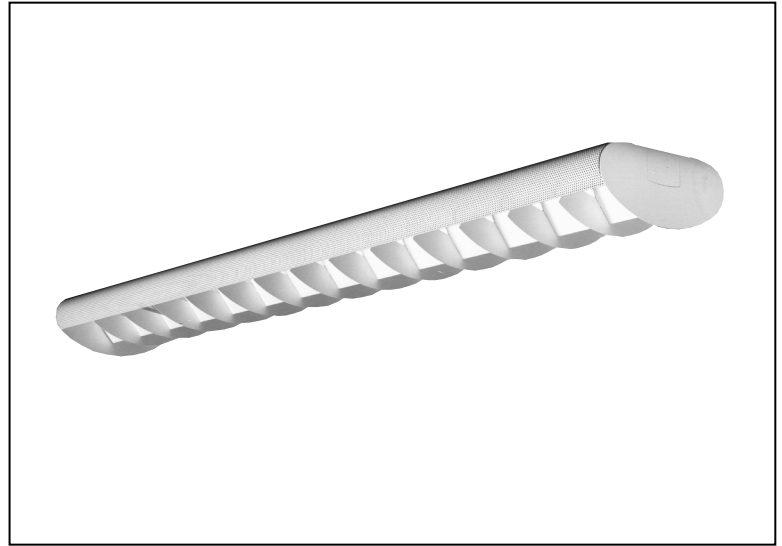
EYE-Q INDIRECT/DIRECT OR DIRECT EYP SERIES 25° LOUVER

Page 1 of 2

SUSPENDED/SURFACE FLUORESCENT LUMINAIRE, PERFORATED SIDE REFLECTORS, 25° LOUVER
48" LENGTH, 2 LAMP T8; 96" LENGTH, 2 LAMP T8 IN TANDEM

Features

- Ideal for schools, offices or stores.
- 60% uplight, 40% downlight distribution.
- Can be pendant or surface mounted.
- Top reflectors available for downlight only.
- 85.9% efficient.
- 33° x 25° steel louver with safety chain.
- 48" or 96" modular lengths.
- Can be stem or cable mounted at fixture joints.
- 20 gauge steel housing.
- 18 gauge steel fixture ends.
- 22 gauge perforated steel side reflectors with translucent white acrylic liner.
- 22 gauge steel louver.
- Electronic ballast for 4' T8 lamps is standard.
- 1-3/4" x 2" easy tear-out flush K.O. for thru wiring.
- Flat white acrylic baked enamel (post painted).
- Meets NYC Code requirements.



MOUNTING METHODS



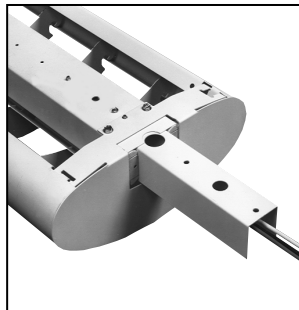
Louver hinges from either side. Safety chain is standard.



1-3/4" x 2" flush K.O. easy tear-out for thru wiring.

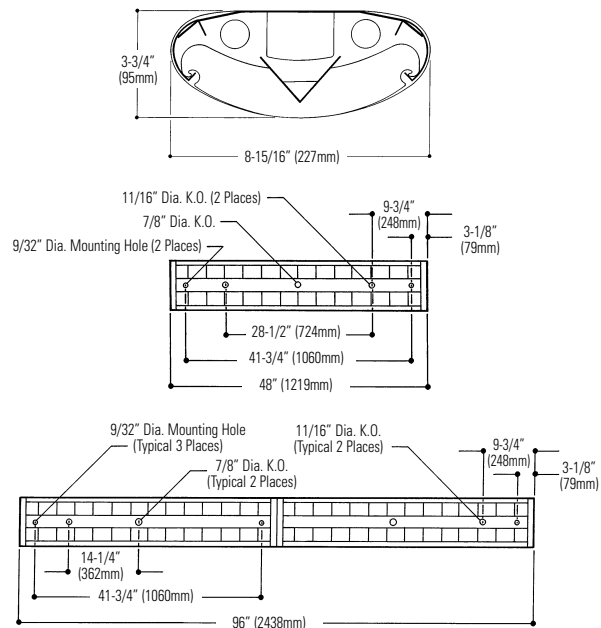


Slide Grip Hanger can be used at joint or along channel. (Can not be used with top reflector)
Order Catalog Number
EY SLIDE GRIP.



Coupler required for continuous row mounting.
Order Catalog Number
EY COUPLER.

DIMENSIONS



Job Information

Type:

Job Name:

Cat. No.:

Lamp(s):

Volts/Ballast:

Lightolier a Genlyte Thomas Company www.lightolier.com
Technical Information: (978) 657-7600 • Fax (978) 658-0595
631 Airport Road, Fall River, MA 02720 • (508) 679-8131 • Fax (508) 674-4710
We reserve the right to change details of design, materials and finish.
© 2002 Genlyte Thomas Group LLC (Lightolier Division)
A0902

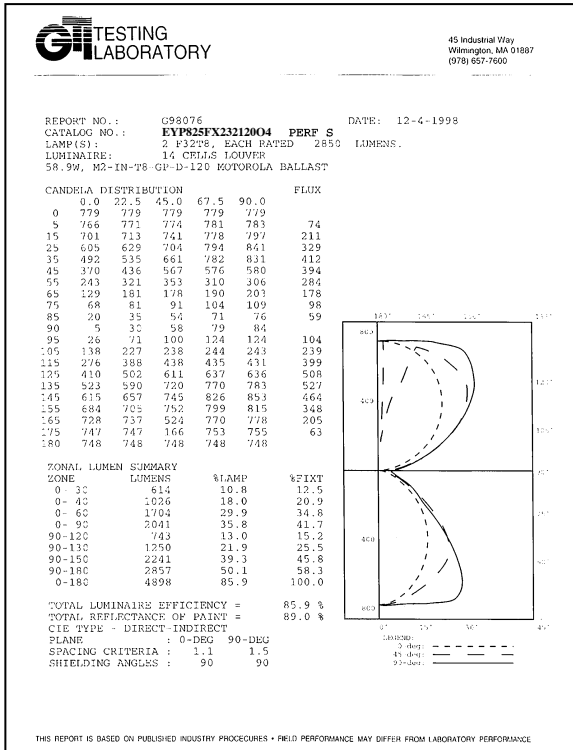
SECTION 5/Folio K40-14

LIGHTOLIER

EYE-Q INDIRECT/DIRECT OR DIRECT EYP SERIES 25° LOUVER

PHOTOMETRY

MODEL NO. EYP825FX23212004



coefficients of utilization — zonal cavity method

	RF		20		20		20			
	RC		80		50		30			
	RV	70	50	30	50	30	10	50	30	10
room cavity ratio	1	82	79	76	59	57	56	48	46	45
	2	75	69	64	52	49	46	42	40	38
	3	69	61	55	46	42	39	37	35	32
	4	63	54	47	41	37	33	33	30	28
	5	58	48	41	37	32	29	30	27	24
	6	53	43	36	33	29	25	27	24	21
	7	49	39	32	30	26	22	25	21	19
	8	46	35	29	27	23	20	23	19	17
	9	42	32	26	25	21	18	21	17	15
	10	40	29	23	23	19	16	19	16	14

Louver Shielding: 33° Crosswise
25° Lengthwise

ORDERING INFORMATION

Explanation of Catalog Number. Example: EYP825FX23212004

EY	P		25	F		2	32			
EYE-Q: Suspended/ Surface Fluorescent Luminaire	SIDE: P=Perforated	FIXTURE LENGTH: 4=48" 8=96"	SHIELDING: 25° Louver Cut-off	FINISH: F= Flat White (standard)	MOUNTING: X=No Reflector (Uplight/Downlight) S=Top Reflector (Downlight Only)	LAMP QUANTITY (Nominal 48") 2=Lamps (Nominal 96") 2=Lamps in tandem (4 lamps)	LAMP/TYPE: 32 Watt T8	VOLTAGE: 120 or 277	BALLAST TYPE: S0=Electronic (T8) (2 lamps) O4=1-4 Lamp Elect. (T8) (8' only)	OPTIONS: Add appropriate suffix to catalog no., ie: (GLR)

OPTIONS & ACCESSORIES

STEM AND CANOPY SETS: Suspend fixture 6", 12", 18" or 24" from surface.

Catalog Number: **ASC6 CSP** (6"), **ASC12 CSP** (12"), **ASC18 CSP** (18"), **ASC24 CSP** (24").

FUSING: Internal fast-blow fusing. Suffix: **GLR**.

Internal slow-blow fusing. Suffix: **GMF**.

EMERGENCY PACK: Factory-installed emergency power battery pack with charger and inverter, LP400 or equal, 120 or 277 volt. Suffix: **LP400**.

CABLE HANGERS: Adjustable 6"-60"

Single Cable and Canopy: Catalog Number **WC60**.

Single Cable, Straight Cord and Canopy: Catalog Number **WCC60**.

Single Cable, Coil Cord and Canopy: Catalog Number **WCCC60**.

SPECIFICATIONS

MATERIALS: Housing is die-formed 20 gauge cold rolled steel with full length channel for thru wiring.

Fixture Ends: 18 gauge cold rolled steel with 1-3/4" x 2" flush K.O. for thru wiring.

Louvers: 22 gauge cold rolled steel.

SPECIFICATIONS (continued)

Side Reflectors: Perforated 22 gauge cold rolled steel.

FINISH: Post painted white acrylic baked enamel.

ELECTRICAL: Electronic instant start (<20 THD) thermally protected class "P" HPF non PCB, UL Listed, CSA Certified ballast for T8 lamps. If K.O. is within 3" of ballast, use wire suitable for 90°.

LABELS: I.B.E.W. UL and ULc Listed.

Job Information

Type:

Lightolier a Genlyte Thomas Company

www.lightolier.com

Technical Information: (978) 657-7600 • Fax (978) 658-0595

631 Airport Road, Fall River, MA 02720 • (508) 679-8131 • Fax (508) 674-4710

We reserve the right to change details of design, materials and finish.

© 2002 Genlyte Thomas Group LLC (Lightolier Division)

A0902

SECTION 5/Folio K40-14

LIGHTOLIER