

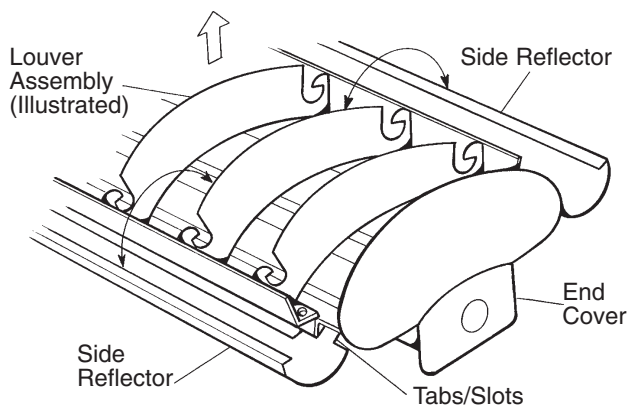
Lightolier

45 INDUSTRIAL WAY, WILMINGTON, MA 01887

INSTALLATION INSTRUCTIONS FOR EYE-QLB LUMINAIRES

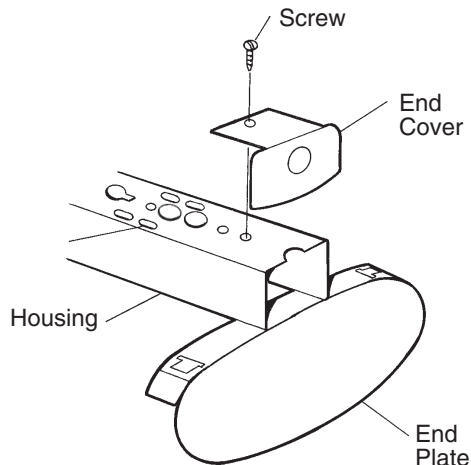
1 Preparation

- Rotate Side Reflectors to an open position.
- Remove Louver or Lens Assembly.
- Remove Side Reflectors by removing Tabs from Slots.



2 Continuous Row

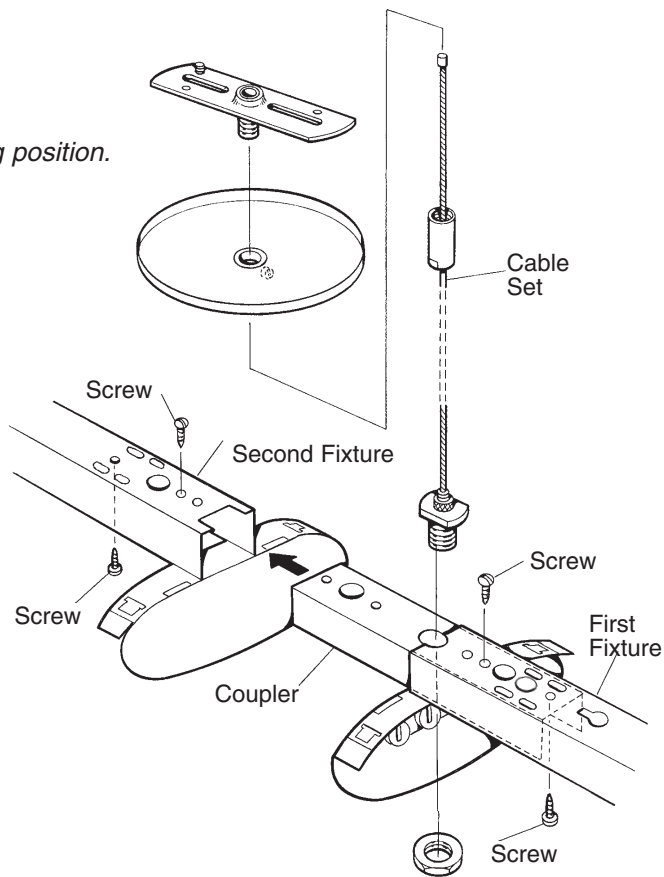
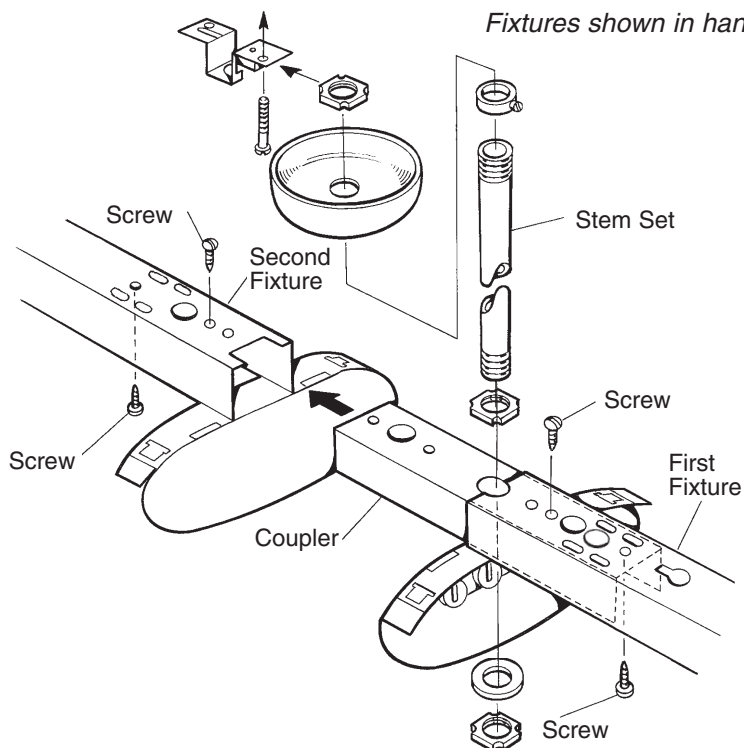
- For continuous row mounting, remove End Cover.



3 Continuous Row Mounting

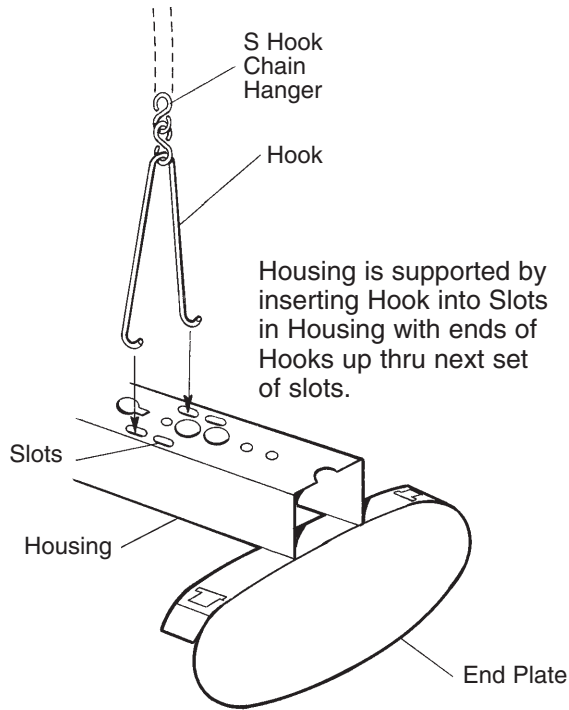
- With Fixture on its back, align Coupler holes with second and third holes in Housing.
- From inside Coupler and Outside Fixture, drive (2) Screws into First Housing.
- Assemble Stem Sets or Cable Sets.
- For Continuous Row Mounting use Stem Sets or Cable Sets at the joints.

- Hang First Fixture and secure Second Fixture with Coupler and Screws.
- Make wiring connections, install T5/T8 lamps (by others).



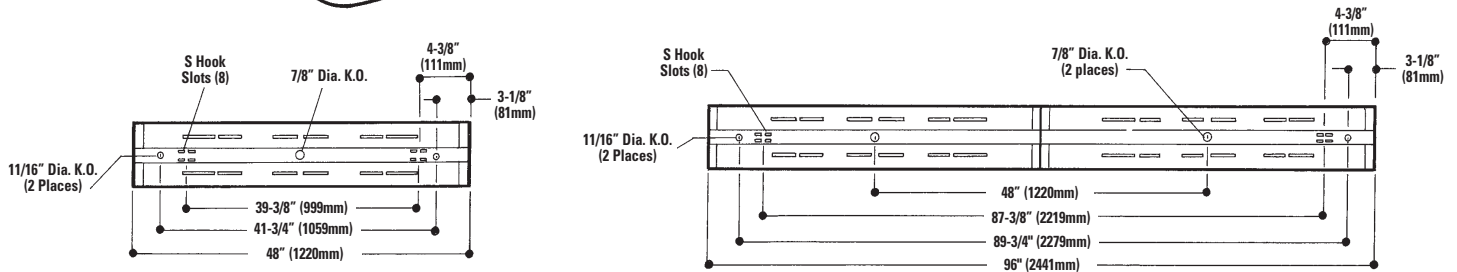
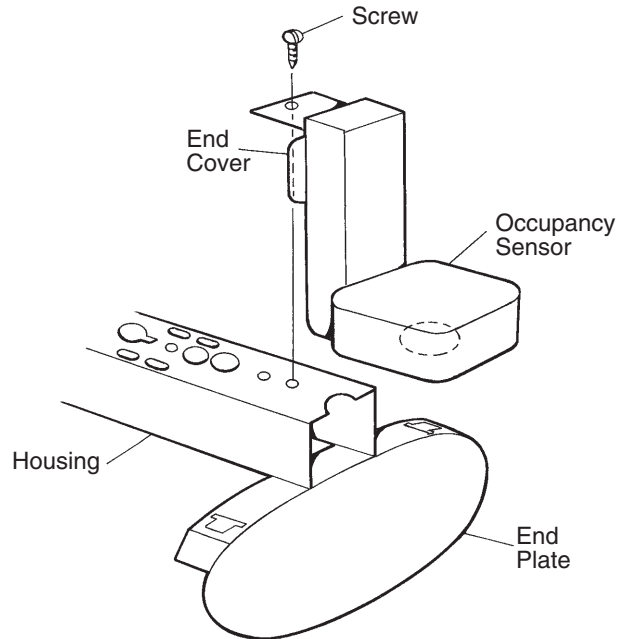
4 Chain Hanger

- For Chain Hanger, use 2 chains for 4ft or 8ft, or for individual or continuous row mounting. Housing is supported by inserting Hook into Slots in housing with ends of Hooks up through next set of slots.



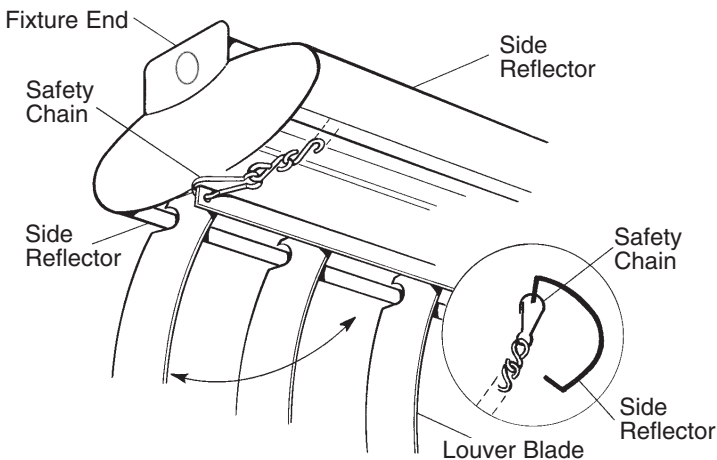
Occupancy Sensor

- Occupancy Sensor is supplied assembled to End Cover and is secured to Housing with Screw as shown.



5 Final Assembly (Louver)

- Replace Side Reflectors—put Tabs into Slots.
- Hang Louver Assembly on one Side Reflector.
- Attach Safety Chain (both ends of fixture) to hole on the side of the louver.
- Rotate free side of Louver Assembly upward until Louver Assembly rests evenly on both Side Reflectors.



Final Assembly (Prismatic DR Acrylic Lens)

- Replace Side Reflectors—put Tabs into Slots.
- Hang Prismatic DR Acrylic Lens on one Slot Reflector.
- Attach each Safety Cable "S" Hook to hole in Side Reflector.
- Rotate free side of Prismatic DR Acrylic Lens upward until lens rests evenly on both Side Reflectors.

