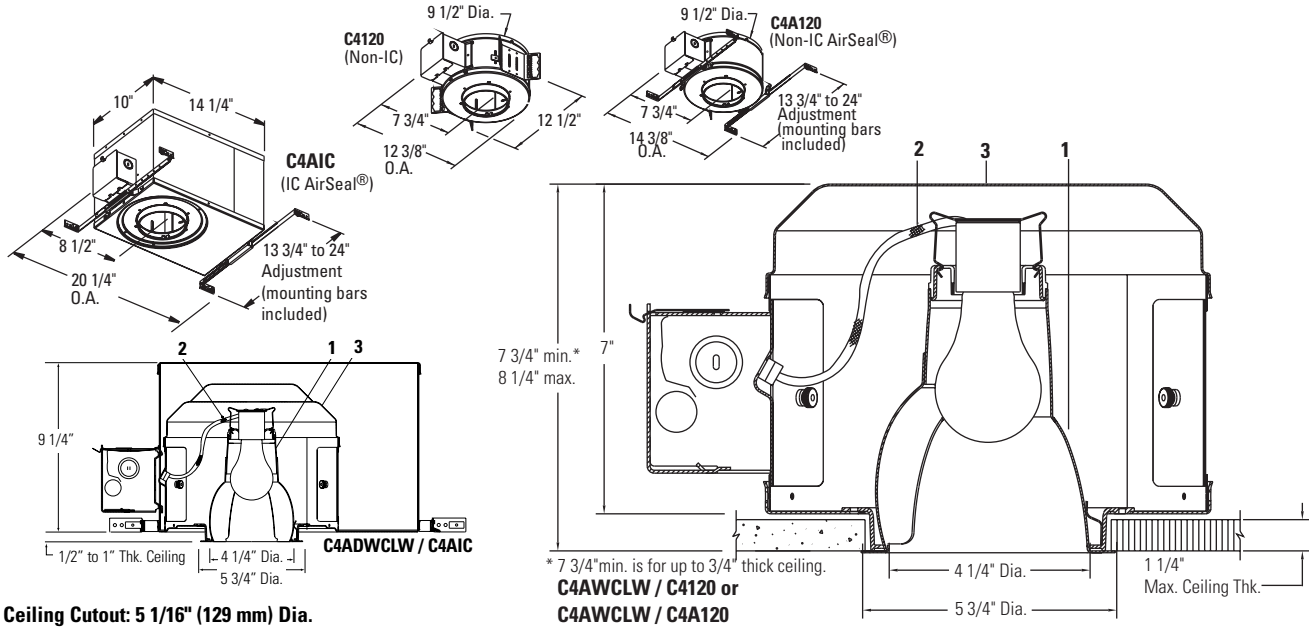




Calculite® Evolution Incandescent Open Wall Washer **C4AW**



Ceiling Cutout: 5 1/16" (129 mm) Dia.

Single Wall Wash Trim		Frame-In Kit			
C4AW CLW	Specular Clear, White Flange	Non-IC	Non-IC AirSeal®	IC-AirSeal®	Non-IC Remodeler
C4AW CLP	Specular Clear, Polished Flange	C4120	C4A120	C4AIC	C4120RM
C4AW <input type="checkbox"/>	Add suffix. See options for other finishes.	100W A19, MB19, BT15	100W A19, MB19, BT15	60W MB19, 75W BT15, A19	100W A19, MB19, BT15
Corner Wall Wash Trim		Frame-In Kit			
C4ACW CLW	Specular Clear, White Flange	Non-IC	Non-IC AirSeal®	IC-AirSeal®	Non-IC Remodeler
C4ACW CLP	Specular Clear, Polished Flange	C4120	C4A120	C4AIC	C4120RM
C4ACW <input type="checkbox"/>	Add suffix. See options for other finishes.	100W A19, BT15, 75W MB19	100W A19, BT15, 75W MB19	75W A19, 60W BT15, MB19	100W A19, BT15, 75W MB19
Double Wall Wash Trim		Frame-In Kit			
C4ADW CLW	Specular Clear, White Flange	Non-IC	Non-IC AirSeal®	IC-AirSeal®	Non-IC Remodeler
C4ADW CLP	Specular Clear, Polished Flange	C4120	C4A120	C4AIC	C4120RM
C4ADW <input type="checkbox"/>	Add suffix. See options for other finishes.	100W A19, MB19, BT15	100W A19, MB19, BT15	75W A19, MB19, BT15	100W A19, MB19, BT15

Features

- Reflector:** 16 ga. aluminum, 50° visual cutoff to lamp and lamp image. "Cut-window" in downlight reflector and kick reflector provide vertical surface wall washing. Inner reflector contours provide even downlighting. Available with painted white or polished flange. Interchangeable with other Evolution 4 1/2" line voltage trims.
- Socket Harness:** Spring tension clips snap into die-cast aluminum top at prefocused positions ensuring correct optical alignment. Medium base porcelain socket with nickel plated screw shell, No. 18 SF-1 leads to keyed, plug-in quick connector for power connection to junction box.
- Frame-In-Kit:** Compatible Frame-In Kits are listed above. See separate Frame-In Kit specification sheets for details.
Non-IC and Non-IC AirSeal® - Insulation must be kept 3" away from fixture sides and wiring compartments, and must not be placed above fixture in a manner which will entrap heat.
IC-AirSeal® - Fixture may be in direct contact with insulation.

Options and Accessories

Reflector Finishes*

Clear: CL Gold: GD White: WH
 Black: BK Pewter: CPW
 Comfort Clear Diffuse: CCD
 Champagne Bronze: CCZ

*Specify desired flange: **W** White, **P** Polished

Labels

UL Listed (suitable for damp locations), I.B.E.W.

US Patent No. 5,957,573. Other US and Foreign Patents Pending.

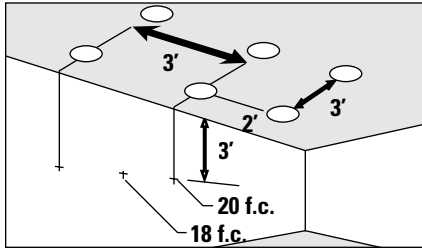
Job Information	Type:
Job Name:	
Cat. No.:	
Lamp(s):	
Notes:	

Lightolier a Genlyte Company www.lightolier.com
 631 Airport Road, Fall River, MA 02720 • (508) 679-8131 • Fax (508) 674-4710
 We reserve the right to change details of design, materials and finish.
 © 2005 Genlyte Group LLC • C0505

LIGHTOLIER®



Lighting Data



Lighting Data

Example: With clear Alzak® and 100W A-19 units, located 2' from wall and 3' on center, (matching downlights 3' on center), the illumination on the wall 3' down from the ceiling is 20 f.c. beneath and 18 f.c. between fixtures.

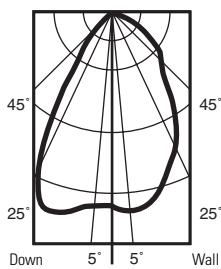
Footcandles on Wall From Multiple Units - Clear Alzak® with 100W A19

		UNITS 2 FEET FROM WALL											
		2'			3'			4'					
Distance from Ceiling, Ft.	1	24	22	24	20	12	20	19	6	19			
	2	35	35	35	26	21	26	24	12	24			
	3	29	28	29	20	18	20	18	11	18			
	4	24	24	24	16	17	16	13	11	13			
	5	19	19	19	12	13	12	9	10	9			
	6	15	15	15	10	10	10	7	9	7			
	7	12	12	12	9	8	9	6	7	6			
	8	10	10	10	7	7	7	5	5	5			
	9	8	9	8	6	6	6	5	5	5			

		UNITS 3 FEET FROM WALL											
		3'			4'			5'			6'		
Distance from Ceiling, Ft.	1	5	4	5	4	2	4	4	2	4	4	1	4
	2	15	14	15	12	10	12	11	7	11	11	4	11
	3	16	16	16	13	11	13	11	8	11	11	6	11
	4	14	14	14	11	10	11	9	8	9	9	6	9
	5	12	12	12	10	9	10	8	7	8	7	5	7
	6	11	11	11	8	9	8	7	7	7	6	5	6
	7	10	9	10	7	7	7	6	6	6	5	5	5
	8	8	8	8	6	6	6	5	5	5	4	5	4
	9	7	7	7	6	5	6	4	5	4	4	4	4

Footcandle values are averaged and rounded off and are based on a minimum of five units. For 100W BT15, multiply footcandles by 0.8

Candlepower Curve
100W A19



Report 0840FR
Efficiency = 56.0%

Downlight Spacing Ratio = 1.0

COEFFICIENTS OF UTILIZATION

% Effective Ceiling Cavity Reflectance

Room Cavity Ratio	% WALL REFLECTANCE															
	80			70			50			30			10			0
	50	30	10	50	30	10	50	30	10	50	30	10	50	30	10	0
1	.62	.61	.59	.61	.60	.59	.59	.58	.57	.57	.56	.55	.55	.54	.53	.52
2	.58	.56	.54	.57	.55	.53	.55	.53	.52	.53	.52	.51	.52	.51	.50	.49
3	.54	.51	.49	.53	.51	.49	.52	.50	.48	.50	.49	.47	.49	.48	.47	.46
4	.51	.48	.45	.50	.47	.45	.49	.46	.45	.48	.46	.44	.47	.45	.44	.43
5	.47	.44	.42	.47	.44	.42	.46	.43	.42	.45	.43	.41	.44	.42	.40	.40
6	.45	.41	.39	.44	.41	.39	.43	.41	.38	.42	.40	.38	.42	.40	.38	.37
7	.42	.38	.36	.41	.38	.36	.40	.38	.36	.40	.37	.35	.39	.37	.35	.34
8	.39	.36	.34	.39	.36	.33	.38	.35	.33	.38	.35	.33	.37	.35	.33	.32
9	.37	.33	.31	.36	.33	.31	.36	.33	.31	.35	.33	.31	.35	.32	.31	.30
10	.35	.31	.29	.34	.31	.29	.34	.31	.29	.33	.31	.29	.33	.30	.29	.28

20% Floor Cavity Reflectance

For 100W BT15, multiply CU. by 0.75

Job Information

Type:

Lightolier a Genlyte Company

www.lightolier.com

631 Airport Road, Fall River, MA 02720 • (508) 679-8131 • Fax (508) 674-4710

We reserve the right to change details of design, materials and finish.

© 2005 Genlyte Group LLC • C0505

LIGHTOLIER®