

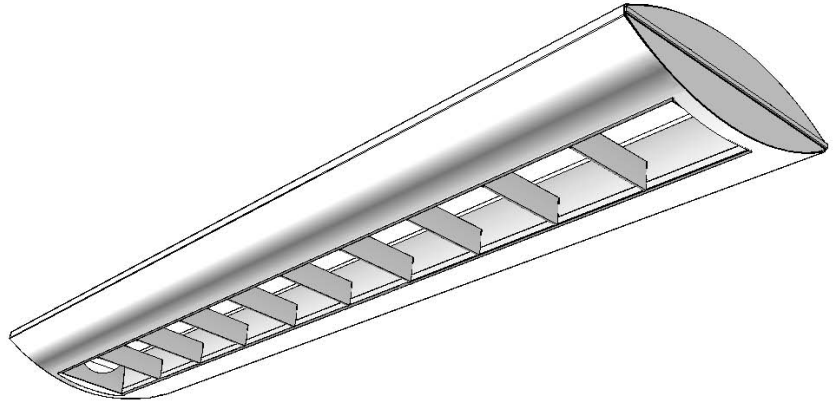
Lytecel™-EL EL4MF10LX128 or 154

Page 1 of 2

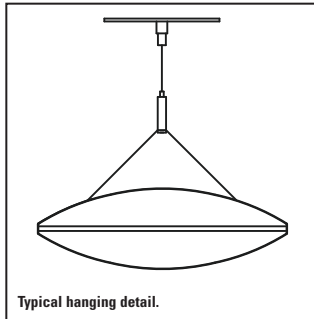
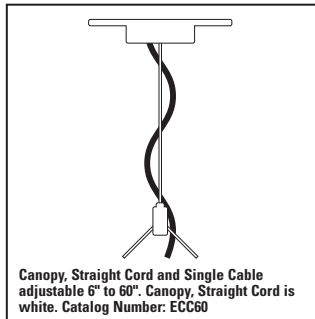
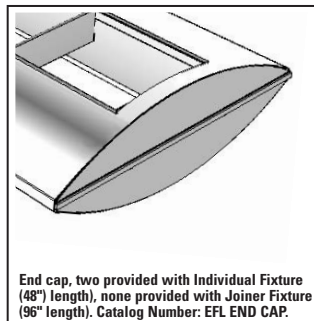
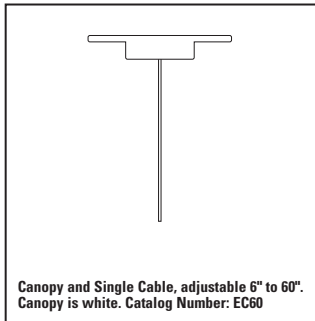
Uplight/Downlight, Pendant, 3-9/16" Deep, 10-13/16" Wide
48" or 96" Nominal Lengths, 1 Lamp T5

Features

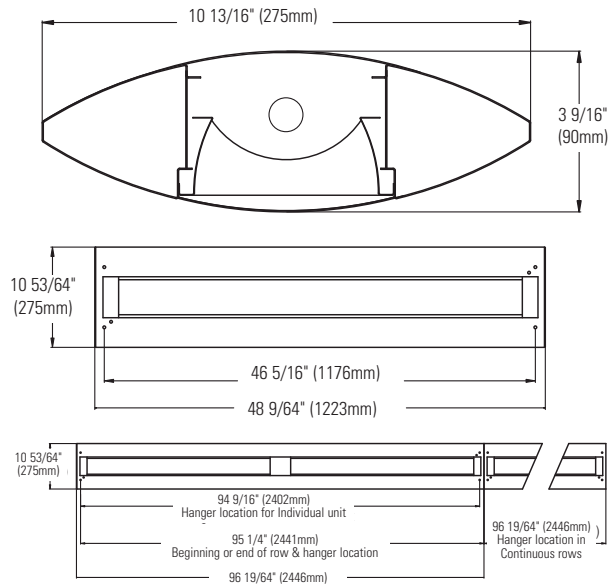
- Ideal for offices, stores or schools.
- Subtle low-profile ellipsoidal shape.
- Seamless welded 20 gauge steel body.
- No visible fasteners.
- 60% uplight, 40% downlight distribution.
- Low iridescence semi-specular aluminum parabolic louver.
- 1 lamp 28 watt T5 is 80.6% efficient.
- 1 lamp 54 watt T5HO is 82.8% efficient.
- Spacing mounting ratio of 1.5.
- 48 9/64" and 96 19/64" lengths.
- Same fixture can be used individually or for row mounting.
- 3 #12 wires included for continuous mounting.
- Powder coated flat white polyester enamel finish.
- Cable mounted only.



Mounting Methods/Features



Dimensions



Job Information

Type:

Job Name:

Cat. No.:

Lamp(s):

Volts/Ballast:

Lightolier a Genlyte company

www.lightolier.com

Technical Information: (978) 657-7600 • Fax (978) 658-0595
 631 Airport Road, Fall River, MA 02720 • (508) 679-8131 • Fax (508) 674-4710
 We reserve the right to change details of design, materials and finish.

Lytecel™-EL EL4MF10LX128 or 154

Model No. EL4F10LX128UNVPG

LER = FP - 38.8 IW - 120.5 BF - 1.0
Comparative yearly lighting energy cost per
1000 lumens = \$6.19

Report Number: G2007023
Catalog Number: EL4F10LX128UNVPG
Lamp: (1) F28T5
Luminaire: Lytecel EL Downlight with Semi
Specular Louver
Ballast: Triad B228PUNV-C
Report is based on 2900 Lumens per lamp.
Efficiency: 80.6%
CIE Type-Direct-Indirect
Plane: 0-Deg 90-Deg
Spacing Criteria: 1.2 1.8
Shielding Angles: 90 90
Plane: 0-Deg 90-Deg
Luminous Length: 46.200 3.960

CANDELA DISTRIBUTION

	0.0	45.0	90.0	FLUX
0	344	344	344	
5	340	344	347	33
15	320	335	361	97
25	289	343	411	160
35	251	349	468	221
45	206	350	372	244
55	153	233	204	181
65	90	102	119	109
75	24	33	46	38
85	3	7	9	8
95	8	13	17	15
105	45	59	75	66
115	112	151	179	156
125	169	332	298	241
135	217	345	496	269
145	259	341	440	217
155	294	339	391	158
165	321	338	357	96
175	337	341	344	32

COEFFICIENTS OF UTILIZATION – ZONAL CAVITY METHOD. EFFECTIVE FLOOR CAVITY REFLECTANCE 0.20

RC	80	50	30	10	50	30	10		
1	79	75	72	58	56	55	48	47	45
2	72	66	61	51	48	46	42	40	38
3	65	58	52	45	41	38	37	35	32
4	60	51	45	40	36	33	33	30	28
5	55	46	39	36	31	28	30	26	24
6	50	41	34	32	28	24	27	23	21
7	47	37	30	29	24	21	24	21	18
8	43	33	27	26	22	19	22	19	16
9	40	30	24	24	20	17	20	17	14
10	37	28	22	22	18	15	19	15	13

LUMINANCE DATA IN CANDELA/SQ. METER

AVERAGE IN DEG.	AVERAGE 0-DEG.	AVERAGE 45-DEG.	AVERAGE 90-DEG.
45	2467.	4192.	4455.
55	2258.	3440.	3012.
65	1804.	2044.	2385.
75	785.	1080.	1505.
85	292.	680.	875.

ZONAL LUMEN SUMMARY

ZONE	LUMENS	% LAMP	% FIXT
0- 30	289	10.0	12.4
0- 40	510	17.6	21.8
0- 60	935	32.2	40.0
0- 90	1090	37.6	46.6
90-180	1249	43.1	53.4
0-180	2339	80.6	100.0

Model No. EL4MF10LX154UNVPG

LER = FP - 136.9 IW - 60.5 BF - 1.0
Comparative yearly lighting energy cost per
1000 lumens = \$1.75

Report Number: G2007016
Catalog Number: EL4MF10LX154UNVPG
Lamp: (1) F54T5
Luminaire: Lytecel EL Downlight with Semi
Specular Louver
Ballast: Osram QT1X54/120PHO
Report is based on 5000 Lumens per lamp.
Efficiency: 82.8%
CIE Type-Direct-Indirect
Plane: 0-Deg 90-Deg
Spacing Criteria: 1.2 1.8
Shielding Angles: 90 90
Plane: 0-Deg 90-Deg
Lumen Length: 46.200 3.960

CANDELA DISTRIBUTION

	0.0	45.0	90.0	FLUX
0	585	585	585	
5	578	586	588	56
15	543	583	630	166
25	490	589	700	274
35	422	595	802	379
45	342	589	631	413
55	254	391	345	304
65	151	172	200	185
75	39	56	76	63
85	6	11	15	14
95	25	39	28	44
105	105	144	124	172
115	198	495	358	365
125	293	527	686	455
135	379	551	672	416
145	453	565	652	350
155	512	572	622	263
165	551	576	596	163
175	573	578	578	55

COEFFICIENTS OF UTILIZATION – ZONAL CAVITY METHOD. EFFECTIVE FLOOR CAVITY REFLECTANCE 0.20

RC	80	50	30	10	50	30	10		
1	80	77	74	59	57	55	48	47	46
2	73	67	62	52	49	46	42	40	38
3	67	59	53	46	42	39	38	35	33
4	61	52	46	41	36	33	33	30	28
5	56	47	40	36	32	28	30	27	24
6	51	42	35	32	28	25	27	23	21
7	48	37	31	29	25	22	24	21	18
8	44	34	28	27	22	19	22	19	16
9	41	31	25	24	20	17	20	17	14
10	38	28	22	22	18	15	19	15	13

LUMINANCE DATA IN CANDELA/SQ. METER

AVERAGE IN DEG.	AVERAGE 0-DEG.	AVERAGE 45-DEG.	AVERAGE 90-DEG.
45	4096.	7162.	7558.
55	3750.	5773.	5094.
65	3026.	3447.	4008.
75	1276.	1832.	2487.
85	583.	1069.	1458.

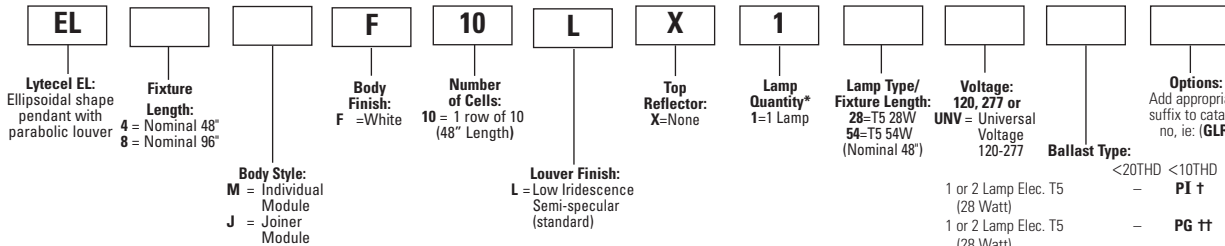
ZONAL LUMEN SUMMARY

ZONE	LUMENS	% LAMP	% FIXT
0- 30	496	9.9	12.0
0- 40	874	17.5	21.1
0- 60	1592	31.8	38.5
0- 90	1854	37.1	44.8
90-180	2284	45.7	55.2
0-180	4138	82.8	100.0

Ordering Information

Explanation of Catalog Number. Example: EL4MF10LX128UNVPG

*For any additional ballast or wiring combination consult factory.
8' Units have lamps in tandem



Options/accessories

Single Cable and Canopy. Catalog Number: **EC60**.
Single Cable, Straight Cord and Canopy. Catalog Number: **ECC60**.
Electrical Wiring Options: Consult factory.
Fusing: Internal fast-blow fusing. Suffix: **GLR**.
Internal slow-blow fusing. Suffix: **GMF**.

Specifications

Performance: In an installation of 1 lamp 28W luminaires with a room cavity ratio of 1, with reflectance 80% ceiling, 50% wall, 20% floor, the C.U. shall be not less than .75. Candelas at 65° shall not exceed 119 (10 cell). To control veiling reflections, luminaire output in the 30°- 90° zone shall be not less than 34.2%.
Materials: Chassis parts are die-formed 20 gauge cold rolled steel, End caps are 18 gauge cold rolled steel with a ribbed accent.
Louder: Pre-anodized aluminum (Coilzak® or equal).
Finish: Louder—low iridescence semi-specular anodized aluminum (standard).

Specifications (continued)

Chassis: Flat white polyester powder coat (standard).
Rust preventive undercoating.
Electrical: Thermally protected class "P" ballast, non PCB. If K.O. is within 3" of ballast, use wire suitable for at least 90°.
Labels: I.B.E.W./UL and ULc Listed.

Job Information Type:

Lightolier a Genlyte company www.lightolier.com
Technical Information: (978) 657-7600 • Fax (978) 658-0595
631 Airport Road, Fall River, MA 02720 • (508) 679-8131 • Fax (508) 674-4710
We reserve the right to change details of design, materials and finish.