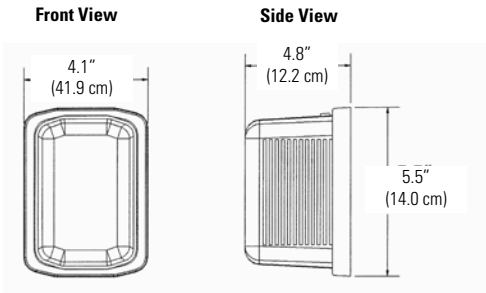


The ER Series is a unique remote lamp head with its compact size, fully adjustable lamps and attractive design.



Complete Fixture consists of unit plus lamp reflector system. Select options below.

How to Specify:

<div style="border: 1px solid black; padding: 2px; width: 30px; margin: 0 auto;">ER</div> <p>↓</p> <p>SERIES</p>	<div style="border: 1px solid black; width: 30px; height: 15px; margin: 0 auto;"></div> <p>↓</p> <p>VOLTAGE</p>	<div style="border: 1px solid black; width: 30px; height: 15px; margin: 0 auto;"></div> <p>↓</p> <p>LAMP WATTAGE/VOLTAGE</p>	<div style="border: 1px solid black; width: 30px; height: 15px; margin: 0 auto;"></div> <p>↓</p> <p>BACKPLATE COLOR</p>
<p>ER = Thermoplastic Remote Head</p>	<p>1 = 6V 2 = 12V</p>	<p><u>6V, Tungsten T-5 Wedge Base</u> T6 = 6W, 6 VDC T7 = 7W, 6 VDC T9 = 9W, 6 VDC <u>6V, Halogen T-2 1/4 Wedge Base</u> H7 = 7W, 6 VDC H10 = 10W, 6 VDC H12 = 12W, 6 VDC <u>6V, Halogen MR11 Style</u> MR5 = 5W, 6 VDC MR10 = (2) 5W, 6 VDC (twin lamps)</p>	<p><u>12V, Tungsten T-5 Wedge Base</u> T9 = 9W, 12 VDC T12 = 12W, 12 VDC T18 = 18W, 12 VDC <u>12V, Halogen T-2 1/4 Wedge Base</u> H12 = 12W, 12V <u>12V, Halogen MR16 Style</u> H20 = 20W, 12 VDC</p> <p>W = White B = Black</p>

Features

- 1. Illumination:** High performance specular parabolic reflector design can be adjusted 180° vertically and horizontally. Includes a high impact polycarbonate diffuser. Choice of lamp sources includes: tungsten T-5 wedge base, halogen T-2 1/4 wedge base, halogen MR16 and halogen MR11 styles.
- 2. Housing:** Backplate constructed of impact resistant, UL 94 V-0, 5VA white or black thermoplastic. Suitable for wall or ceiling mounting.
- 3. Warranty:** 3 year electronics warranty.

Options

G = Gasketed for Outdoor Use

Note: A form fitted gasket is supplied to be installed between the luminaire and junction box to protect against water entry. This product is not recommended for use in areas where high wind, or high pressure spray washdown could occur.

Job Information

Type:

Job Name:

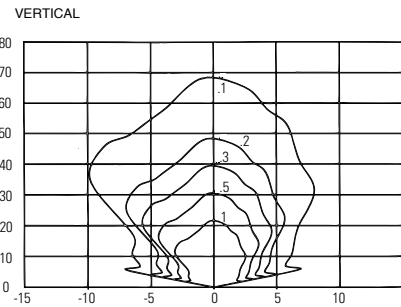
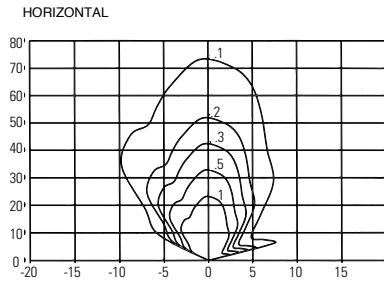
Cat. No.:

Lamp(s):

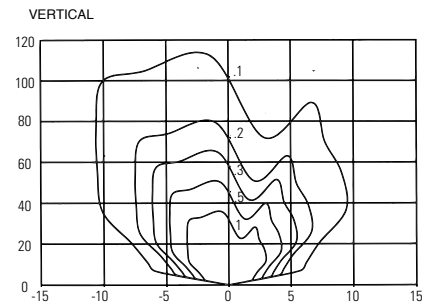
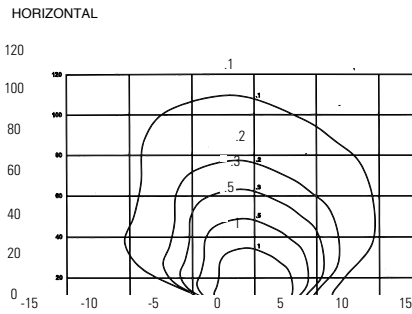
Notes:

Lamp Head Photometrics

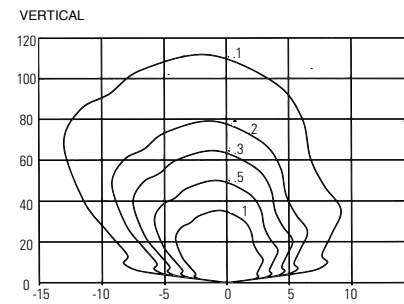
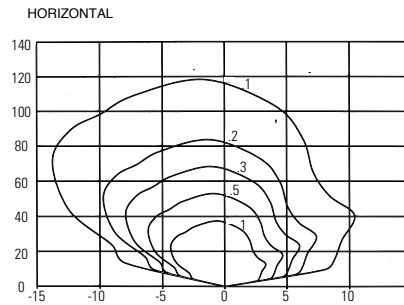
T9 - 6 Volt, 9 Watt, Tungsten



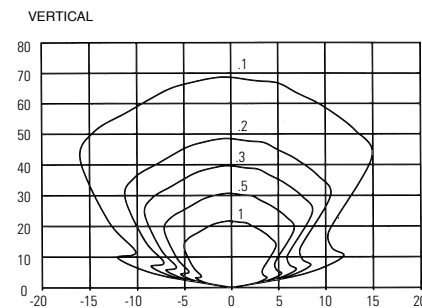
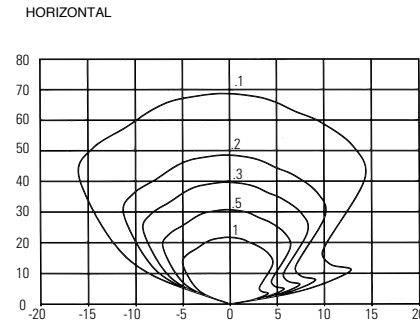
H12 - 12 Volt, 12 Watt, Halogen



H12 - 6 Volt, 12 Watt, Halogen



H20 - 12 Volt, 20 Watt, Halogen MR16



Job Information

Type:

631 Airport Road, Fall River, MA 02720 • (508) 679-8131 • Fax (508) 674-4710
 We reserve the right to change details of design, materials and finish.
www.lightolier.com © 2008 Philips Group • E0308