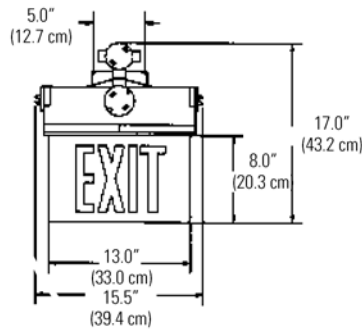


The HL Series self-contained emergency lighting unit is ideal for use in hazardous locations where explosive materials may be present. The HL Series is UL listed for use in Class I, Division 1, Groups C & D; Class II, Division 1, Groups E, F & G; and Class III areas.



Complete Fixture consists of exit sign. Select options below.

How to Specify:



SERIES

HL = Hazardous Location Edge-Lit Exit

MOUNTING/FACES

21A = Wall Mount, Single Face
 22AA = End Mount, Double Face
 23AA = Pendant Mount, Double Face

OPTIONS

B = Arrow Right
 C = Arrow Left
 D = Double Arrow
 DD = Double Face, Double Arrow
 BC = Double Face, Arrow Left or Right
 GN = Green Letters
 ECT413 = 277 VAC Transformer

Features

- 1. Illumination:** The HL Series requires two 60 watt 60T10 clear incandescent lamps wired in parallel (lamps not included). Includes 6" red lettering on white acrylic panel.
- 2. Housing:** Copper-free cast aluminum enclosure designed to withstand the pressure of explosions generated by internal arc without propagating them into the hazardous atmosphere. Pendant mount fixture has 3/4" top hub.
- 3. Electronics (AC Only):** 120 VAC input.

Code Compliance

UL listed for use in Class I, Division 1, Groups C & D; Class II, Division 1, Groups E, F & G; and Class III areas.

Job Information	Type:
Job Name:	
Cat. No.:	
Lamp(s):	
Notes:	

631 Airport Road, Fall River, MA 02720 • (508) 679-8131 • Fax (508) 674-4710
 We reserve the right to change details of design, materials and finish.
 www.lightolier.com © 2008 Philips Group • E0308