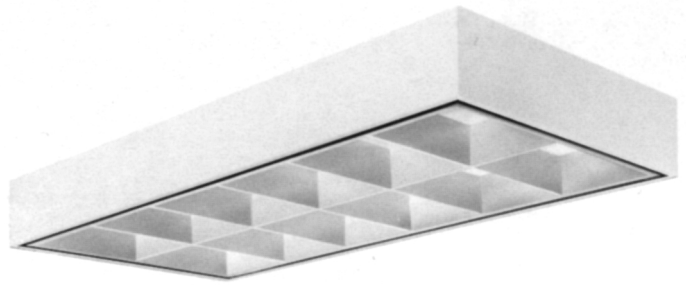


# DEEPCELL SURFACE **DPB2S12LS232**

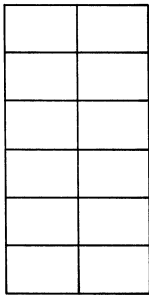
Page 1 of 2    2' x 4' SURFACE FLUORESCENT, 3" TYPE, 12 CELL PARABOLIC LOUVER, 2 LAMP T8 OR T12

## Features

- Only 5-1/2" deep.
- 20 gauge steel body.
- 45° mitered corners (body and louver).
- Side-mounted ballast for cooler operation.
- Coilzak® aluminum parabolic louver.
- Vertical grain on louver eliminates reflected lamp images on cross baffle.
- Perfectly uniform four-side black reveal.
- Spring-loaded "roosterhead" latches.
- Reversible louver hinging.
- Door jamb with integral positive light stop.
- Flush end K.O.s for smooth surface appearance (at end of row or individual).
- Protective film dust guard.
- Louver interchangeable with Prismalyte (PNB)
- Meets NYC Code requirements.

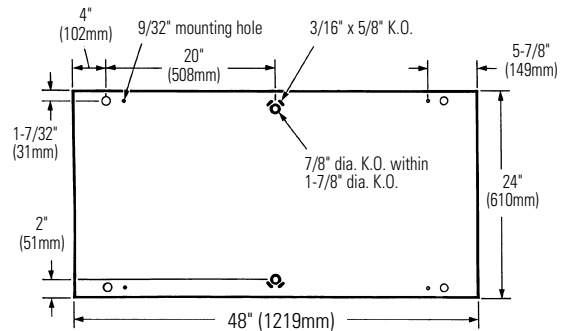
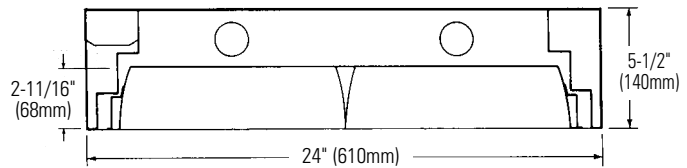


## LOUVER CONFIGURATION

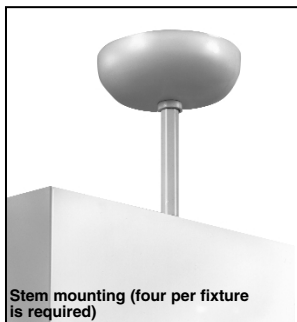


12 Cells

## DIMENSIONS



## MOUNTING METHOD



Job Information	Type:
<b>Job Name:</b>	
<b>Cat. No.:</b>	
<b>Lamp(s):</b>	
<b>Volts/Ballast:</b>	

Lightolier a Genlyte Thomas Company [www.lightolier.com](http://www.lightolier.com)  
 Technical Information: (978) 657-7600 • Fax (978) 658-0595  
 631 Airport Road, Fall River, MA 02720 • (508) 679-8131 • Fax (508) 674-4710  
 We reserve the right to change details of design, materials and finish.  
 © 2002 Genlyte Thomas Group LLC (Lightolier Division)  
 A0902 **Section 2A/Folio G50-80 Rev. B**

**LIGHTOLIER®**



# DEEPCELL SURFACE DPB2S12LS232

Page 2 of 2 2' x 4' SURFACE FLUORESCENT, 3" TYPE, 12 CELL PARABOLIC LOUVER, 2 LAMP T8 OR T12

## PHOTOMETRY

**GT TESTING LABORATORY**  
45 Industrial Way  
Wilmington, MA 01887  
(978) 657-7600

REPORT NO.: G01026 DATE: 06-19-01  
CATALOG NO.: DPB2S12LS232120SO  
LAMP(S): 2 F32/T8 TL841, EACH RATED 2850 LUMENS.  
LUMINAIRE: 2X4 MODULAR WITH 12 CELL LOUVER  
0.49 AMPS 58.0 WATTS  
TRIAD E2321120

**CANDELA DISTRIBUTION**

0.0	22.5	45.0	67.5	90.0	
0	1506	1506	1506	1506	144
5	1502	1504	1506	1506	1506
15	1432	1445	1498	1545	1561
25	1304	1357	1487	1621	1684
35	1150	1255	1498	1754	1886
45	947	1137	1526	1851	1980
55	689	981	1258	1079	975
65	325	475	384	378	423
75	26	28	36	44	22
85	2	4	4	4	4
90	0	0	0	0	0

**FLUX**

144	424	690	947	1144	906	399	58	5
-----	-----	-----	-----	------	-----	-----	----	---

**ZONAL LUMEN SUMMARY**

ZONE	LUMENS	%LAMP	%FIXT
0-30	1258	20.0	26.7
0-40	2205	35.0	46.8
0-60	4255	67.5	90.2
0-90	4716	74.9	100.0
90-180	0	0.0	0.0
0-180	4716	74.9	100.0

**TOTAL LUMINAIRE EFFICIENCY = 74.9 %**  
**TOTAL REFLECTANCE OF PAINT = 92.8 %**  
**CIE TYPE - DIRECT**

PLANE : 0-DEG 90-DEG  
SPACING CRITERIA : 1.2 1.9  
SHIELDING ANGLES : 21 30  
PLANE : 0-DEG 90-DEG  
LUMINOUS LENGTH : 45.250 21.000

**LUMINANCE DATA IN FOOTLAMBERTS**

ANGLE	AVERAGE	AVERAGE	AVERAGE
IN DEG	0-DEG	45-DEG	90-DEG
45	638.	1027.	1333.
55	572.	1044.	809.
65	366.	432.	476.
75	48.	66.	40.
85	13.	24.	22.

Checked: [Signature]  
Approved: [Signature]

## MODEL NO. DPB2S12LS232120SO

### coefficients of utilization — zonal cavity method

RF	20	20	20	20						
RC	80	50	30	10						
RW	70	50	30	10						
room cavity ratio	1	83	80	78	76	74	72	73	71	70
2	77	72	68	68	65	62	66	63	61	
3	71	64	59	61	57	54	59	56	53	
4	65	57	51	55	50	46	53	49	46	
5	60	51	45	48	43	39	47	42	39	
6	55	45	39	43	38	34	42	37	34	
7	50	40	34	39	33	29	37	33	29	
8	46	36	29	34	29	25	33	28	25	
9	42	32	25	30	25	21	30	25	21	
10	39	29	23	27	22	18	27	22	18	

### visual comfort probability

room size		ceiling height				ceiling height			
W	L	8.5	10.0	13.0	16.0	8.5	10.0	13.0	16.0
20	20	77	74	75	85	73	70	72	75
20	30	80	77	72	75	77	73	68	71
20	40	83	80	76	75	80	76	71	69
20	60	83	81	79	78	82	79	75	72
30	20	81	76	75	81	78	74	73	74
30	30	83	79	73	72	81	76	69	70
30	40	85	81	76	72	84	79	72	67
30	60	85	81	79	75	85	81	75	71
30	80	85	82	81	77	85	81	77	73
40	20	81	80	77	81	78	77	76	75
40	30	84	82	75	72	82	79	72	70
40	40	86	84	78	72	84	81	74	68
40	60	86	84	80	75	85	83	77	71
40	80	86	84	82	77	85	83	79	74
40	100	86	84	82	77	85	83	79	74
60	30	84	83	77	74	82	80	74	72
60	40	86	85	80	74	84	82	76	70
60	60	86	85	82	76	85	84	79	73
60	80	86	85	83	78	85	84	81	75
60	100	86	85	83	78	85	84	81	75
100	40	86	85	80	76	84	82	77	72
100	60	86	85	82	78	85	84	79	75
100	80	86	85	83	80	86	84	81	78
100	100	86	85	83	81	86	84	81	78

## ORDERING INFORMATION Explanation of Catalog Number. Example: DPB2S12LS232120SOGLR

<b>DP</b>	<b>B</b>	<b>2</b>	<b>S</b>	<b>12</b>		<b>S</b>	<b>2</b>				
<b>DEEPCELL PARABOLIC:</b> Pre-anodized Aluminum Louver	<b>BODY STYLE:</b> Surface Box	<b>FIXTURE WIDTH</b>	<b>CEILING TYPE:</b> S=Surface	<b>NUMBER OF CELLS</b>	<b>LOUVER FINISH*:</b> L= Low-iridescence semi-specular (standard) P= Low-iridescence specular W=White Paint	<b>BALLAST COVER</b>	<b>LAMP QUANTITY:</b> (By Others) 2=2 Lamp	<b>VOLTAGE:</b> 120 or 277	<b>LAMP/ FIXTURE LENGTH:</b> 32=T8 34=T12 (Nominal 48")	<b>BALLAST TYPE:</b> 1-2 Lamp Mag. T12 1-2 Lamp Elec. T8 LOL Dimming T8 *Instant Start Standard Other dimming options. Consult factory.	<b>OPTIONS:</b> Add appropriate suffix to catalog no., ie: (GLR) <b>LE</b> <20THD <b>SO*</b> <10THD <b>PS</b> -

\*Consult factory for availability of louver finishes.

## OPTIONS & ACCESSORIES

**STEM AND CANOPY SETS:** Suspends fixture 6", 12", 18" or 24" from surface. (Four per fixture is recommended.) **Catalog Number: ASC6 CSP (6"), ASC12 CSP (12"), ASC18 CSP (18"), ASC24 CSP (24")**

**FUSING:** Internal fast-blow fusing.

SUFFIX: **GLR.**

Internal slow-blow fusing.

SUFFIX: **GMF.**

**RADIO INTERFERENCE FILTER:** 120 or 277 volt, 50 or 60 Hz. One per fixture is standard. SUFFIX: **RF.**

**ELECTRICAL/WIRING OPTIONS:** Consult factory.

## SPECIFICATIONS:

**PERFORMANCE:** In an installation of 2 lamp 32W luminaires in a room cavity ratio of 1, with a reflectance of 80% ceiling, 50% wall, 20% floor, the C.U. shall not be less than .80. To prevent glare the VCP shall be not less than 85 either lengthwise or cross wise (at 100fc level) and the average brightness at 65° shall not exceed 476 footlamberts. To control veiling reflections, luminaire output in the 30°-90° zone shall be not less than 73%.

**MATERIALS:** Chassis parts are die-formed 20 gauge cold rolled steel, stud-welded for rigidity with all seams finished smooth.

## SPECIFICATIONS (CONTINUED):

**LOUVER:** pre-anodized aluminum (Coilzak® or equal).

**STANDARD FINISH: Louver**—low iridescence, semi-specular pre-anodized vertical grain reflector sheet. **Cavity**—white baked acrylic enamel minimum 86% reflectance. Phosphate undercoating. **Chassis exterior**—white baked acrylic enamel.

**ELECTRICAL:** Thermally protected class "P" ballast C.B.M. approved, non PCB. If K.O. is within 3" of ballast, use wire suitable for at least 90°.

**LABELS:** I.B.E.W./UL and C-UL.

## Job Information Type:

**Lightolier** a Genlyte Thomas Company www.lightolier.com  
Technical Information: (978) 657-7600 • Fax (978) 658-0595  
631 Airport Road, Fall River, MA 02720 • (508) 679-8131 • Fax (508) 674-4710  
We reserve the right to change details of design, materials and finish.  
© 2002 Genlyte Thomas Group LLC (Lightolier Division)  
A0902 **Section 2A/Folio G50-80 Rev. B**

**LIGHTOLIER**