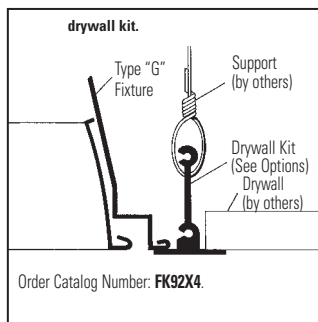
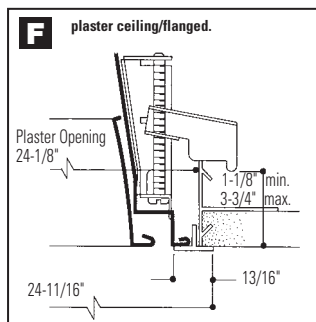
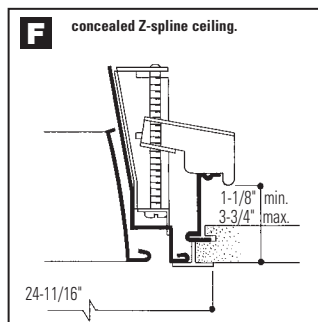
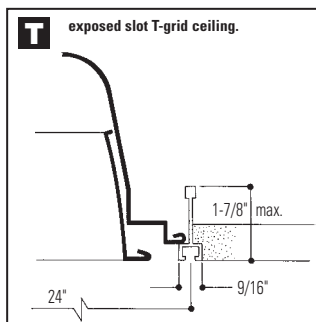
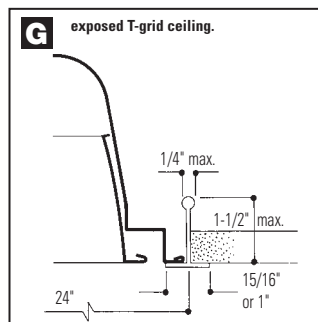


Deepcel Plus DPA2G32LS432

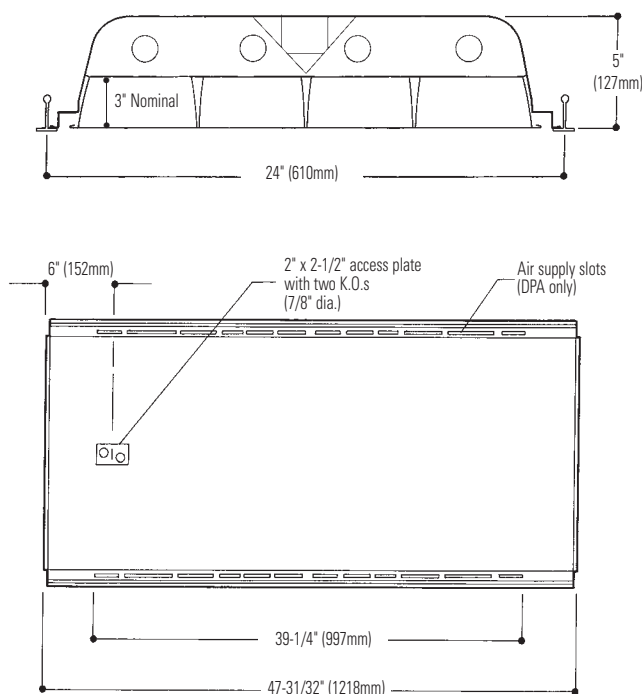
- 5" deep body.
- 64.1% efficient.
- Clean contoured interior.
- Eyeleted heat removal vents in fixture ends.
- One piece housing has ribbed construction for added strength.
- Black exterior for cooler ballast operating temperature.
- Hemmed over side rails for safe handling.
- Fixture ends turned-in for safe handling.
- Built-in earthquake clips (patent no. 5,072,344).
- Pre-anodized aluminum parabolic louver.
- Vertical grain louver eliminates reflected lamp images on cross baffle.
- Spring loaded latches.
- 18 gauge steel hinges.
- Louver frame with integral positive light stop.
- Louver has protective film dust guard.
- Construction to meet NYC Code or Chicago Plenum requirements is available.



Mounting Methods



Dimensions



Job Information

Type:

Job Name:

Cat. No.:

Lamp(s):

Volts/Ballast:

Lightolier a Genlyte company

www.lightolier.com

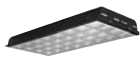
Technical Information: (978) 657-7600 • Fax (978) 658-0595

631 Airport Road, Fall River, MA 02720 • (508) 679-8131 • Fax (508) 674-4710

We reserve the right to change details of design, materials and finish.

© 2007 a Genlyte company

Section 2/Folio G51-50 Rev. A



Deepcel Plus DPA2G32LS432

2' x 4' Recessed Fluorescent, 3", 32 Cell Parabolic Louver Static or Air/Return, 4 Lamp, T8 or T5

Photometry

Model No. DPA2G32LS43212004

LER = FP - 56.7 IW - 110.9 BF - 0.86

Comparative yearly lighting energy cost per 1000 lumens = \$4.23

45 Industrial Way
Wilmington, MA 01887
(978) 657-7600

REPORT NO.: G00002
DATE: 01-19-2000

CATALOG NO.: DPA2G32LS43212004

LAMP(S): 4 P32T8 - EACH FRAME

LUMINAIRE: 2X4 TROFFER WITH SEMI-SPECULAR 32 CELL LOUVER

110.9W, 0.94 AMPS

CANDELA DISTRIBUTION

0.0	22.5	45.0	67.5	90.0	
0	3289	3289	3289	3289	3289
5	3264	3264	3277	3290	3301
15	3097	3117	3196	3277	3311
25	2837	2895	3034	3238	3374
35	2484	2578	2806	2921	2968
45	2011	2080	2091	1763	1804
55	1339	1299	1134	1179	1261
65	208	238	281	315	294
75	39	41	43	45	43
85	7	8	8	7	9
90	0	0	0	0	0

ZONAL LUMEN SUMMARY

ZONE	LUMENS	%LAMP	%FIXT
0-30	2637	23.1	36.1
0-40	4345	38.1	59.4
0-60	6934	60.8	94.9
0-90	7310	64.1	100.0
90-180	0	0.0	0.0
0-180	7310	64.1	100.0

TOTAL LUMINAIRE EFFICIENCY = 64.1 %
TOTAL REFLECTANCE OF PAINT = 90.0 %
CIE TYPE - DIRECT

PLANE : 0-DEG 90-DEG
SPACING CRITERIA : 1.2 1.4
SHIELDING ANGLES : 28 28
PLANE : 0-DEG 90-DEG
LUMINOUS LENGTH : 45.120 21.000

LUMINANCE DATA IN CANDELA/DEG M
ANGLE AVERAGE AVERAGE AVERAGE
IN DEG 0-DEG 45-DEG 90-DEG

45	4651	4628	4172
55	3817	3233	3595
65	805	1087	1138
75	246	272	272
85	131	150	131

THIS REPORT IS BASED ON PUBLISHED INDUSTRY PROCEDURES - FIELD PERFORMANCE MAY VARY FROM LABORATORY PERFORMANCE.

coefficients of utilization — zonal cavity method

	RF	20			50			20		
	RC	80			50			30		
	RW	70	50	30	50	30	10	50	30	10
room cavity ratio	1	71	69	67	65	63	62	63	61	60
	2	66	62	58	59	56	54	57	54	52
	3	61	56	51	53	49	47	51	48	46
	4	57	50	45	48	44	41	46	43	40
	5	52	45	40	43	39	36	42	38	36
	6	49	41	36	39	35	32	38	35	32
	7	45	37	32	36	32	29	35	31	28
	8	42	34	29	33	29	26	32	28	26
	9	40	32	27	31	26	23	30	26	23
	10	37	29	24	28	24	21	28	24	21

visual comfort probability (VCP) average 100 fc; reflectances 80/50/20

room size		ceiling height				ceiling height			
W	L	8.5	10.0	13.0	16.0	8.5	10.0	13.0	16.0
20	20	82	76	71	76	81	76	73	79
20	30	84	79	74	71	83	78	74	71
20	40	85	81	77	73	85	80	77	73
20	60	87	82	79	76	86	82	79	75
30	20	85	80	73	75	85	80	74	77
30	30	87	82	75	71	86	82	75	70
30	40	88	83	78	73	87	83	78	72
30	60	89	85	80	75	88	85	80	74
30	80	89	86	82	77	89	86	81	76
40	20	86	82	77	76	86	82	78	78
40	30	88	84	78	72	87	84	78	72
40	40	89	85	81	74	88	85	80	73
40	60	89	86	82	76	89	86	82	75
40	80	90	87	83	78	90	87	83	77
40	100	91	88	85	79	90	88	84	79
60	30	88	84	80	74	88	84	80	74
60	40	89	86	82	76	89	86	82	75
60	60	90	87	83	78	90	87	83	77
60	80	91	88	84	79	90	88	84	79
60	100	91	88	85	81	91	89	85	80
100	40	89	86	83	78	89	86	83	77
100	60	90	87	84	80	90	87	84	79
100	80	91	88	86	81	91	88	85	80
100	100	91	89	87	83	91	89	86	82

Ordering Information

Explanation of Catalog Number. Example: DPA2G32LS43212004CP

		2				S	4				
Deepcel Plus Parabolic: Pre-anodized aluminum louver	Body Style: A=Air Supply S=Static	Fixture Width	Ceiling Type: G= Grid (lay-in T bar) F= Flanged (over lap) Z spline and plaster frame T= Slot grid or two-directional concealed T (see options)	Number of Cells: 12-2 rows of 6 18-3 rows of 6 32=4 rows of 8	Louver Finish: L = Low iridescence Semi-specular (standard) P = Low iridescence Specular W = White Baked Enamel	Single "V" Reflector	Lamp Quantity	Lamp Type/ Fixture Length: 32-32W T8 28-28W T5 54-54W T5 (Nominal 48")	Voltage: 120, 277 or UNV=120-277	Ballast Type: <20THD <10THD SO * HI * O4 * H4 * — PI † — PG †† — PV †† — PS	Options: Add appropriate suffix to catalog no., ie: (CP)
DP Standard Deepcel	DY For NYC Code - I.B.E.W. Manufactured										
ND For NYC Code - Local 3 Manufactured 5 1/2" Deep Body											

Options/Accessories

Plaster Frame: Catalog Number: PF24.

Continuous Row Installation: For F type fixtures, half width flanges are required between fixtures. Order Catalog Number: ZFC TRIM CSP (each joint).

Radio Interference Filter: To order one RIF per fixture; SUFFIX: R. To order one RIF per ballast; SUFFIX: B.

Electrical Wiring Options: Consult factory.

Air Closure Strip: SUFFIX: ACS4 (factory installed).

Drywall Kit: Order Catalog Number: FK92X4. (Request Folio OA30-10 Rev. A).

Chicago Plenum: SUFFIX: CP.

Specifications

Performance: In an installation of 4 lamp 32W luminaires in a room cavity ratio of 1, reflectance 80% ceiling, 50% wall, 20% floor, the C.U. shall not be less than .69. To prevent glare the VCP shall be not less than 83 either lengthwise or crosswise (at 100fc level) and the average brightness at 65° shall not exceed 1138 candelas per square meter. To control veiling reflections, luminaire output in the 30°-90° zone shall not be less than 63.9%.

Air Handling (DPA only) side air passages for air supply or air return. Supply air is discharged vertically. Optional side closure strips. Air return is also provided through the lamp compartment through fixture body ends.

Materials: Chassis parts are die-formed code gauge cold rolled steel. Housing is ribbed for rigidity with side rails hemmed over and housing ends turned-in for safe handling. Louver is pre-anodized aluminum (Coitzak® or equal).

Specifications (continued)

Finish: Chassis exterior—black baked polyester enamel. Cavity—white baked polyester enamel minimum 86% reflectance. Phosphate undercoating. Louver—low iridescence semi-specular anodized vertical grain aluminum reflector sheet is standard.

Electrical: Thermally protected class "P" ballast C.B.M. approved, non PCB. If K.O. is with-in 3" of ballast, use wire suitable for at least 90°.

Labels: I.B.E.W. UL and ULc Listed.

Job Information

Type:

Lightolier a Genlyte company

www.lightolier.com

Technical Information: (978) 657-7600 • Fax (978) 658-0595

631 Airport Road, Fall River, MA 02720 • (508) 679-8131 • Fax (508) 674-4710

We reserve the right to change details of design, materials and finish.

© 2007 a Genlyte company

Section 2/Folio G51-50 Rev. A

LIGHTOLIER®