

Deepcel Plus DPA2G18LP332

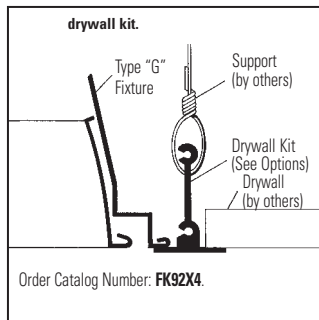
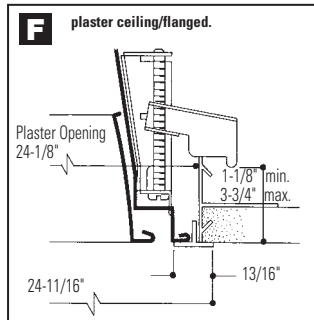
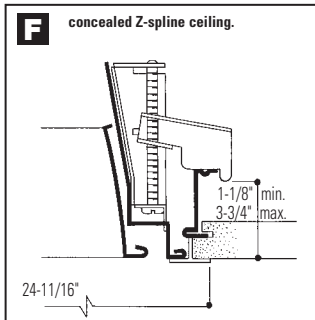
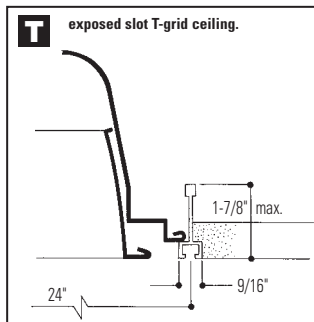
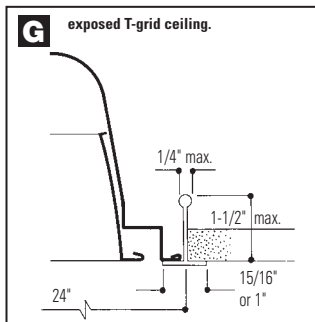
Page 1 of 2

2' x 4' Recessed Fluorescent, 3", 18 Cell Parabolic Louver
Static or Air Supply/Return, 3 Lamp, T8 or T5

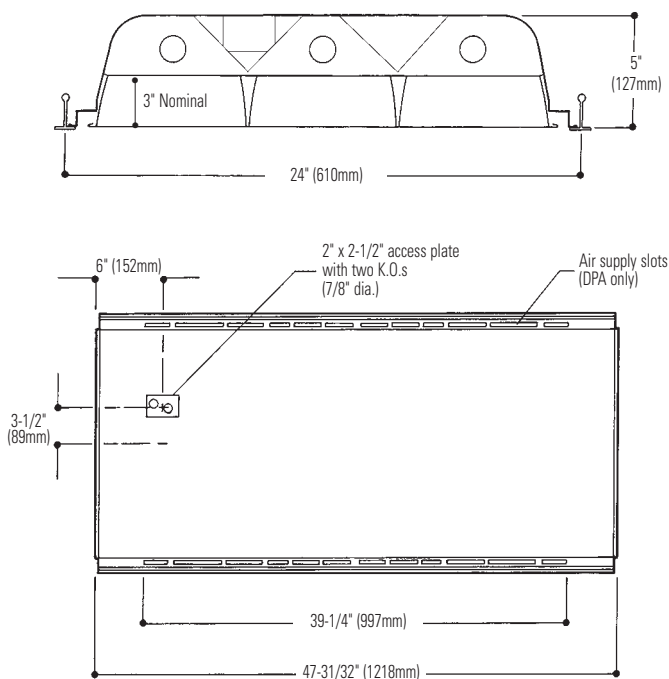
- 5" deep body.
- Individual lamp compartments.
- 77.7% efficient.
- Clean contoured interior.
- Eyeleted heat removal vents in fixture ends.
- One piece housing.
- Black exterior for cooler ballast operating temperature.
- Hemmed over side rails for safe handling.
- Fixture ends turned-in for safe handling.
- Built-in earthquake clips (patent no. 5,072,344).
- Pre-anodized aluminum parabolic louver.
- Vertical grain louver eliminates reflected lamp images on cross baffle.
- Spring loaded latches.
- 18 gauge steel hinges.
- Louver frame with integral positive light stop.
- Louver has protective film dust guard.
- Construction to meet NYC Code or Chicago Plenum requirements is available.



Mounting Methods



Dimensions



Job Information

Type:

Job Name:

Cat. No.:

Lamp(s):

Volts/Ballast:

Lightolier a Genlyte company

www.lightolier.com

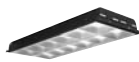
Technical Information: (978) 657-7600 • Fax (978) 658-0595

631 Airport Road, Fall River, MA 02720 • (508) 679-8131 • Fax (508) 674-4710

We reserve the right to change details of design, materials and finish.

© 2007 a Genlyte company

Section 2/Folio G51-44 Rev. A



Deepcel Plus DPA2G18LP332

2' x 4' Recessed Fluorescent, 3", 18 Cell Parabolic Louver Static or Air/Return, 3 Lamp, T8 or T5

Photometry

Model No. DPA2G18LP33212003

LER = FP - 68.6 IW - 85.9 BF - 0.89

Comparative yearly lighting energy cost per 1000 lumens = \$3.50

ifl boulder
INDEPENDENT TESTING LABORATORIES, INC. • 3385 LONGHORN ROAD, BOULDER, CO 80302 USA • PHONE (303) 446-1255 FAX (303) 446-5274

REPORT NUMBER: IFL49563 DATE: 12/27/99
PREPARED FOR: LIGHTOLIER
CATALOG NUMBER: DPA2G18LP33212003
LUMINAIRE: FABRICATED METAL HOUSING WITH WHITE PAINTED INTERIOR FINISH. FABRICATED WHITE PAINTED METAL BALLAST COVERS, FABRICATED SEMI-SPECULAR METAL PARABOLIC 18-CELL LOUVER.
LAMPS: THREE 32-WATT T-8 F32T89P35 LINEAR FLUORESCENTS.
BALLAST: MOTOROLA M3-RN-T8-1L1-120 (CUSTOMER SUPPLIED BALLAST FACTOR = 86.7%)
MOUNTING: RECESSED
TOTAL REFLECTANCE OF PAINT= 92.8 %
THE 0 DEGREE PLANE IS PARALLEL WITH THE LAMPS.
TOTAL INPUT WATTS= 85.9 AT 120.0 VOLTS
LUMEN TO CANDELA RATIO USED= 9.17
REPORT IS BASED ON 2550 LUMENS PER LAMP.

CANDELA DISTRIBUTION

0	0	0	22.5	45.0	67.5	90.0	FLUX
0	2620	2620	2620	2620	2620	2620	250
5	2613	2619	2621	2626	2622	2622	250
15	2504	2513	2533	2569	2602	2624	734
25	2322	2390	2527	2700	2764	2764	1175
35	2079	2151	2356	2641	2810	2810	1529
45	1744	1920	2313	2854	3017	3017	1557
55	1287	1466	1824	242	698	995	995
65	520	560	308	248	215	371	371
75	45	46	23	19	17	28	28
85	5	5	5	5	3	6	6
90	0	0	0	0	0	0	0

ZONAL LUMEN SUMMARY

ZONE	LUMENS	%LAMP	%EXIT
0-30	150	25.2	32.5
0-40	3598	43.1	35.5
0-60	4349	73.0	93.9
0-90	6642	77.7	100.0
90-180	0	0.0	0.0
0-180	6645	77.7	100.0

TOTAL LUMINAIRE EFFICIENCY = 77.7 %

CIE TYPE = DIRECT
PLANE SPACING CRITERIA : 0=180 90-DEG 1.2 1.6
SHELDING ANGLES : 18 38
PLANE : 0-DEG 90-DEG
LUMINOUS LENGTH : 45.125 21.000

LUMINANCE DATA IN CANDELA/SD M ANGLE AVERAGE AVERAGE AVERAGE
IN DEG 0-DEG 45-DEG 90-DEG
45 4025. 5117. 4664.
55 3659. 1489. 1390.
65 2012. 1152. 832.
75 158. 145. 107.
85 94. 94. 56.

Checked: [Signature]
Approved: [Signature]

THIS REPORT IS BASED ON PUBLISHED INDUSTRY PROCEDURES - FIELD PERFORMANCE MAY VARY FROM LABORATORY PERFORMANCE.

coefficients of utilization — zonal cavity method

RF	20						20											
	80						50											
RC	70						30						10					
RW	70	50	30	50	30	10	50	30	10	50	30	10						
1	86	84	81	79	77	75	76	74	73	76	74	73						
2	80	75	70	71	67	64	68	65	63	68	65	63						
3	74	67	61	63	59	56	61	58	55	61	58	55						
4	68	60	54	57	52	48	55	51	48	55	51	48						
5	63	54	48	51	46	42	50	45	42	50	45	42						
6	58	49	42	47	41	37	45	41	37	45	41	37						
7	54	44	38	42	37	33	41	37	33	41	37	33						
8	50	40	34	39	33	30	38	33	29	38	33	29						
9	47	37	31	36	30	27	35	30	27	35	30	27						
10	44	34	28	33	28	24	32	28	24	32	28	24						

visual comfort probability (VCP) average 100 fc; reflectances 80/50/20

room size		ceiling height				ceiling height			
W	L	8.5	10.0	13.0	16.0	8.5	10.0	13.0	16.0
20	20	75	70	67	76	84	80	77	77
20	30	79	74	66	65	86	83	79	75
20	40	82	77	71	66	86	85	82	77
20	60	83	79	74	70	86	85	85	80
30	20	79	75	70	75	87	82	77	76
30	30	83	78	69	65	89	85	79	73
30	40	85	81	73	66	89	86	82	76
30	60	86	83	76	70	89	86	84	79
30	80	86	83	79	73	89	86	85	79
40	20	79	75	74	77	87	82	80	76
40	30	83	80	73	67	89	85	81	74
40	40	85	82	77	69	89	86	84	76
40	60	86	83	79	72	89	86	86	79
40	80	86	83	81	74	89	86	86	79
40	100	86	83	81	74	89	86	86	79
60	30	83	80	73	71	89	85	83	75
60	40	85	81	78	72	89	86	85	78
60	60	86	84	80	74	89	87	87	80
60	80	86	84	82	77	89	87	87	80
60	100	86	84	82	77	89	87	87	80
100	40	85	81	78	72	89	86	85	78
100	60	86	84	80	75	89	87	87	80
100	80	86	84	82	77	89	87	87	80
100	100	86	84	82	77	89	87	87	80

Ordering Information

Explanation of Catalog Number. Example: DPA2G18LP33212003CP

DP	2	P	3	V	3	120, 277 or UNV=120-277	Options: Add appropriate suffix to catalog no. ie: (CP)		
Deepcel Plus Parabolic: Pre-anodized aluminum louver	Body Style: A=Air Supply S=Static	Fixture Width	Ceiling Type: G=Grid (lay-in T bar) F=Flanged (over lap) Z spline and plaster frame T=Slot grid or two-directional concealed T (see options)	Number of Cells: 18=3 rows of 6 24=3 rows of 8	Louver Finish: L = Low iridescence Semi-specular (standard) P =Low iridescence Specular W =White Baked Enamel	Dual "V" Reflectors	Lamp Quantity	Lamp Type/ Fixture Length: 32=32W T8 28=28W T5 54=54W T5 (Nominal 48")	Ballast Type: <20THD <10THD SO * HI * O3 * H3 * PI † PG †† P5 †† LOL T8 Dimming PS
DP Standard Deepcel									
DY For NYC Code — I.B.E.W. Manufactured									
ND For NYC Code — Local 3 Manufactured 5 1/2" Deep Body									

Options/Accessories

Plaster Frame: Catalog Number: PF24.
Continuous Row Installation: For F type fixtures, half width flanges are required between fixtures. Order Catalog Number: 2FC TRIM CSP (each joint).
Radio Interference Filter: To order one RIF per fixture; SUFFIX: R. To order one RIF per ballast; SUFFIX: B.
Electrical Wiring Options: Consult factory.
Air Closure Strip: SUFFIX: ACS4 (factory installed).
Drywall Kit: Order Catalog Number: FK92X4. (Request Folio OA30-10 Rev. A).
Chicago Plenum: SUFFIX: CP.

Specifications

Performance: In an installation of 3 lamp 32W luminaires in a room cavity ratio of 1, reflectance 80% ceiling, 50% wall, 20% floor, the C.U. shall not be less than .84. To prevent glare the VCP shall be not less than 74 either lengthwise or crosswise (at 100fc level) and the average brightness at 65° shall not exceed 2012 candelas per square meter. To control veiling reflections, luminaire output in the 30°-90° zone shall not be less than 67.5%.
Air Handling (DPA only) side air passages for air supply or air return. Supply air is discharged vertically. Optional side closure strips. Air return is also provided through the lamp compartment through fixture body ends.
Materials: Chassis parts are die-formed code gauge cold rolled steel. Housing is ribbed for rigidity with side rails hemmed over and housing ends turned-in for safe handling. Louver is pre-anodized aluminum (Coitzak® or equal).

Specifications (continued)

Finish: Chassis exterior—black baked polyester enamel. Cavity—white baked polyester enamel minimum 86% reflectance. Phosphate undercoating. Louver—low iridescence semi-specular anodized vertical grain aluminum reflector sheet is standard.
Electrical: Thermally protected class "P" ballast C.B.M. approved, non PCB. If K.O. is with-in 3" of ballast, use wire suitable for at least 90°.
Labels: I.B.E.W. UL and ULc Listed.

Job Information

Type:

Lightolier a Genlyte company www.lightolier.com
 Technical Information: (978) 657-7600 • Fax (978) 658-0595
 631 Airport Road, Fall River, MA 02720 • (508) 679-8131 • Fax (508) 674-4710
 We reserve the right to change details of design, materials and finish.
 © 2007 a Genlyte company Section 2/Folio G51-44 Rev. A

LIGHTOLIER