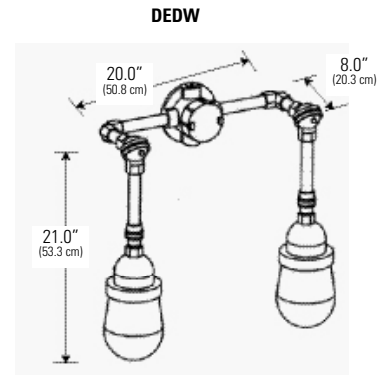
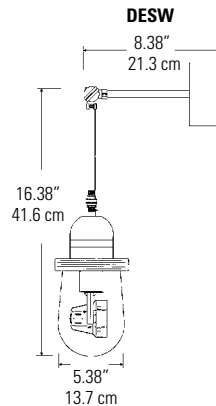
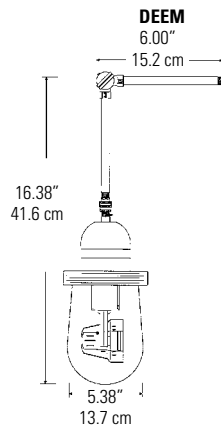
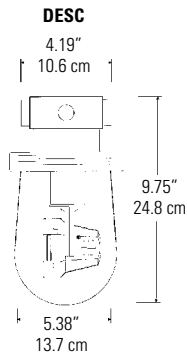


The DE Series is designed for remote and unit equipment mounting applications where suspended metal carbon and grain dust create an explosive or ignitable atmosphere. The DE Series is UL listed for use in Class II, Divisions 1 & 2, Groups E, F & G, and Class III areas.



### How to Specify:

**DE**

**SERIES**

DE = Combustible Dust Emergency Lighting Fixture

SC

**FIXTURE TYPE**

SC = Ceiling Mount  
EM = End Mount  
SW = Single Wall Remote  
DW = Double Wall Remote

1

**VOLTAGE**

1 = 6 VDC, 12W<sup>2</sup>  
2 = 12 VDC, 12W<sup>2</sup>  
3 = 120 VAC<sup>1</sup>

**NOTES:**

1) 120 VAC incandescent lamps are not included. Maximum wattage is 200 watts.  
2) Emergency heads utilize a 12 watt halogen lamp, included.

### Features

- 1. Illumination:** Illumination is accomplished with halogen or incandescent lamps that are adjustable to 360°.
- 2. Housing:** Constructed of corrosion-resistant, cast aluminum alloy with an epoxy polyester finish. Ceiling mount fixture and single wall remote have universal junction box with four tapped holes for 3/4" rigid conduit (three close-up plugs included). Double wall remote has junction box with two tapped holes for 3/4" rigid conduit (one close-up plug provided). DEEM1(2) fixture is designed for direct mounting to the HC50N battery unit (HC50N unit not included).
- 3. Electronics:** 120/277 VAC dual voltage input with surge-protected, solid-state circuitry. Charging system is complete with low voltage disconnect, AC lockout, brownout protection, AC indicator lamp and test switch.
- 4. Battery:** Choice of maintenance-free, sealed lead calcium battery with 5-year life and operating temperature range of 65°F (19°C) to 85°F (30°C), or maintenance free, sealed nickel cadmium battery with 10-year life and operating temperature range of 20°F (-7°C) to 95°F (35°C).
- 5. Input Power Requirements:** 120 VAC - 0.58 amps, 65 watts max; 277 VAC - 0.27 amps, 68 watts max.
- 6. Warranty:** Electronics: 3 years; Battery: 1 year full, 4 years pro-rata (lead calcium); 5 years full, 5 years pro-rata (nickel cadmium)

### Code Compliance

UL 924 listed.

### Accessories

WGG = Wire Guard for Globe Only

### Job Information

### Type:

**Job Name:**

**Cat. No.:**

**Lamp(s):**

**Notes:**

631 Airport Road, Fall River, MA 02720 • (508) 679-8131 • Fax (508) 674-4710  
We reserve the right to change details of design, materials and finish.  
www.lightolier.com © 2008 Philips Group • F0308