

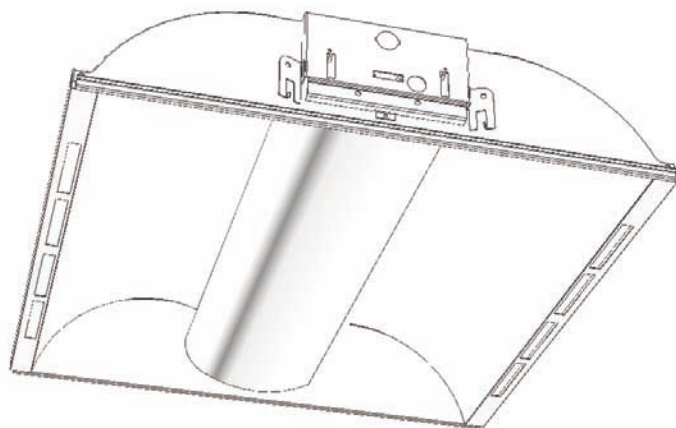
Coffaire II Recessed Fluorescent **CFA2GPF217 or 317**

Page 1 of 2

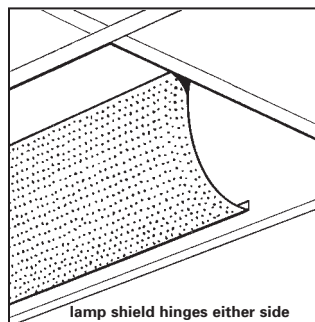
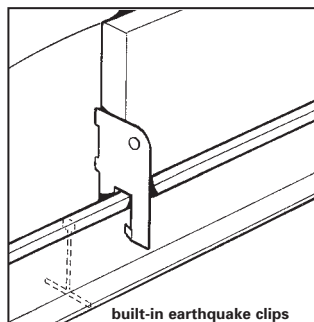
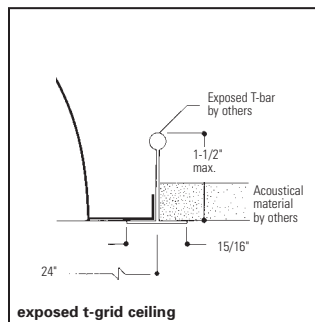
Direct/Indirect – 2' x 2' with Perforated Basket
Air Supply and Return, 2 Lamp or 3 Lamp, T8

Features

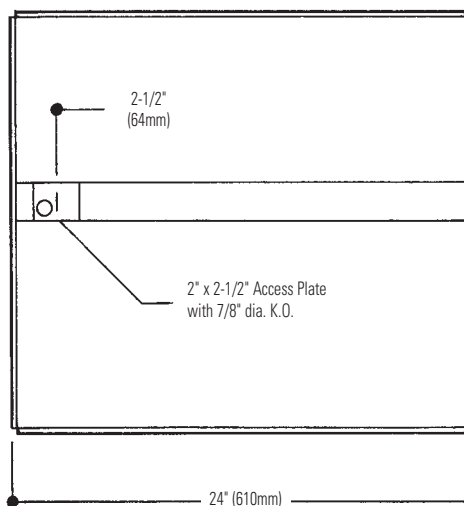
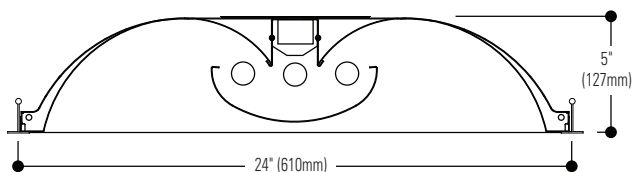
- Direct/indirect lamp shield appearance with soft contoured interior.
- Perforated mesh lamp shield with white acrylic overlay.
- Contoured body and ends.
- Air supply and return.
- Air return slots located above lamp shield.
- Air return models meet UL 1598, Paragraph 9.2.2.5 requirements.
- 61.7% efficient (2 lamp T8).
- 55.9% efficient (3 lamp T8).
- Spacing to mounting ratio 1.4 (2 lamp).
- Spacing to mounting ratio 1.3 (3 lamp).
- Only 5" deep.
- Tension screws secure ends to body.
- Perforated lamp shield hinges from either side.
- Can be continuous row mounted.
- Built-in earthquake clips.
- Ballast accessible from room side.
- Optional supply air slot cover.
- Meets NYC Code.
- Construction to meet Chicago Plenum requirements is available.



Mounting Methods



Dimensions



Job Information	Type:
Job Name:	
Cat. No.:	
Lamp(s):	
Volts/Ballast:	

Lightolier a Genlyte company www.lightolier.com
 Technical Information: (978) 657-7600 • Fax (978) 658-0595
 631 Airport Road, Fall River, MA 02720 • (508) 679-8131 • Fax (508) 674-4710
 We reserve the right to change details of design, materials and finish.
 © 2007 a Genlyte company Section 5/Folio M15-36

Coffaire II Recessed Fluorescent **CFA2GPF217 or 317**

Page 2 of 2

Direct/Indirect – 2' x 2' with Perforated Basket
Air Supply and Return, 2 Lamp or 3 Lamp, T8

Model No. CFA2GPF217120S0

LER = FP - 50.2 IW - 30.08 BF - 0.93
Comparative yearly lighting energy cost per
1000 lumens = \$4.78

Report Number: G2004248
Catalog Number: CFA2GPF217120S0
Lamps: F017/41K
Luminaire: Coffaire 2'x2' with perforated
basket
Ballast: Triad C240S1120
Report is based on 1350 Lumens per lamp.
Efficiency: 61.7%
CIE Type-Direct-Indirect
Plane: 0-Deg 90-Deg
Spacing Criteria: 1.2 1.4
Shielding Angles: 55 65
Plane: 0-Deg 90-Deg
Luminous Length: 22.920 22.920

CANDELA DISTRIBUTION

	0.0	45.0	90.0	FLUX
0	572	572	572	
5	569	570	570	54
15	541	550	560	155
25	492	515	537	237
35	426	465	500	290
45	346	400	445	307
55	253	322	375	283
65	156	230	260	215
75	78	91	107	104
85	15	16	17	20
90	0	0	0	

Model No. CFA2GPF31712003

LER = FP - 48.7 IW - 46.5 BF - 1.00
Comparative yearly lighting energy cost per
1000 lumens = \$0.00

Report Number: G2004249
Catalog Number: CFA2GPF31712003
Lamps: F017/41K
Luminaire: Coffaire with perforated
basket
Ballast: Triad B3321120
Report is based on 1350 Lumens per lamp.
Efficiency: 55.9%
CIE Type-Direct-Indirect
Plane: 0-Deg 90-Deg
Spacing Criteria: 1.2 1.3
Shielding Angles: 55 65
Plane: 0-Deg 90-Deg
Luminous Length: 22.920 22.920

CANDELA DISTRIBUTION

	0.0	45.0	90.0	FLUX
0	800	800	800	
5	794	796	798	76
15	754	766	780	217
25	684	712	741	329
35	591	638	682	399
45	476	544	600	417
55	346	431	493	380
65	208	300	338	283
75	103	133	147	137
85	19	22	23	27
90	0	0	0	

COEFFICIENTS OF UTILIZATION – ZONAL CAVITY METHOD. EFFECTIVE FLOOR CAVITY REFLECTANCE 0.20

RC	80	50	30
RW 70	50	30	10
1	67	64	62
2	61	56	52
3	56	49	44
4	51	43	38
5	47	39	33
6	43	35	29
7	40	32	26
8	37	29	23
9	35	26	21
10	32	24	19

COEFFICIENTS OF UTILIZATION – ZONAL CAVITY METHOD. EFFECTIVE FLOOR CAVITY REFLECTANCE 0.20

RC	80	50	30
RW 70	50	30	10
1	61	58	56
2	56	51	47
3	51	45	40
4	46	40	35
5	43	35	30
6	39	32	27
7	36	29	24
8	34	26	22
9	32	24	20
10	30	22	18

LUMINANCE DATA IN CANDELA/SQ. METER

AVERAGE IN DEG.	AVERAGE 0-DEG.	AVERAGE 45-DEG.	AVERAGE 90-DEG.
45	1443.	1668.	1856.
55	1301.	1656.	1928.
65	1089.	1605.	1815.
75	889.	1037.	1219.
85	508.	541.	575.

ZONAL LUMEN SUMMARY

ZONE	LUMENS	% LAMP	% FIXT
0- 30	446	16.5	26.8
0- 40	736	27.3	44.2
0- 60	1327	49.1	79.7
0- 90	1665	61.7	100.0
90-180	0	0.0	0.0
0-180	1665	61.7	100.0

LUMINANCE DATA IN CANDELA/SQ. METER

AVERAGE IN DEG.	AVERAGE 0-DEG.	AVERAGE 45-DEG.	AVERAGE 90-DEG.
45	1985.	2269.	2503.
55	1779.	2216.	2535.
65	1452.	2094.	2359.
75	1174.	1516.	1675.
85	643.	745.	778.

ZONAL LUMEN SUMMARY

ZONE	LUMENS	% LAMP	% FIXT
0- 30	621	15.3	27.4
0- 40	1020	25.2	45.1
0- 60	1817	44.9	80.3
0- 90	2264	55.9	100.0
90-180	0	0.0	0.0
0-180	2264	55.9	100.0

Ordering Information

Explanation of Catalog Number. Example: CFA2GPF217120S0

CF Standard Coffaire II	A Body Style: A = Air Supply and Return	2 Fixture Width	G Ceiling Type: Standard Grid	P Perforated Lamp Shield	F Flat White Reflector	17 Lamp Quantity 2=2 Lamp 3=3 Lamp	17=T8 Lamp: (By Others) 17=T8 (Nominal 24")	120, 277 or UNV=120-277 Voltage:	Options: Add appropriate suffix to catalog no., ie: (GLR)
CN For NYC Code –Local 3 Manufactured								Ballast Type: <20THD <10THD SO * HI * O3 * H3 * PS -	

*Instant Start Standard
Other dimming options. Consult factory.
NOTE: For T8 UNV, you must use HI,H3, Ballast Code.

Options/Accessories

Optional supply air slot cover: Order Catalog Number: **CACS-2**

Fusing: Internal fast blow fusing: SUFFIX: **GLR**.
Internal slow blow fusing: SUFFIX: **GMF**.

Drywall Kit: Order Catalog Number: **FK92X2**.

Electrical Wiring Options: Consult factory.

Chicago Plenum: SUFFIX: **C**.

Dust Shield: See Folio Number: **OA50-20**

Specifications

Performance: In an installation of 2 lamp 40W luminaires in a room cavity ratio of 1, with reflectance 80% ceiling, 50% wall, 20% floor, the C.U. shall not be less than .64. To reduce glare the average brightness at 65° shall not exceed 1815 candelas per square meter. To control veiling reflections, luminaire output in the 30°-90° zone shall not be less than 73.2%.

Materials: Chassis parts are die-formed code gauge steel.

Lamp Shield: 22 gauge steel perforated mesh lamp shield with white acrylic overlay.

Specifications (continued)

Finish: Chassis exterior – soft white post painted polyester powder. **Cavity** – soft white post painted polyester powder. **Reflector** – soft white post painted polyester powder, minimum 88% reflectance. Rust preventive undercoating.

Lamp Shield –white.

Electrical: Thermally protected class "P" ballast C.B.M. approved, non PCB. If K.O. is within 3" of ballast, use wire suitable for at least 90°. UL Listed for damp locations.

Labels: I.B.E.W./UL and ULc Listed.

Job Information

Type:

Lightolier a Genlyte company

www.lightolier.com

Technical Information: (978) 657-7600 • Fax (978) 658-0595

631 Airport Road, Fall River, MA 02720 • (508) 679-8131 • Fax (508) 674-4710

We reserve the right to change details of design, materials and finish.

© 2007 a Genlyte company

Section 5/Folio M15-38

LIGHTOLIER