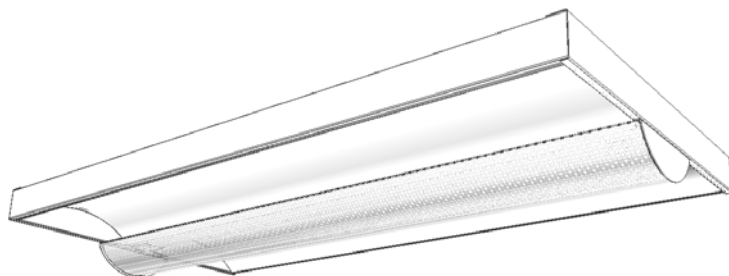
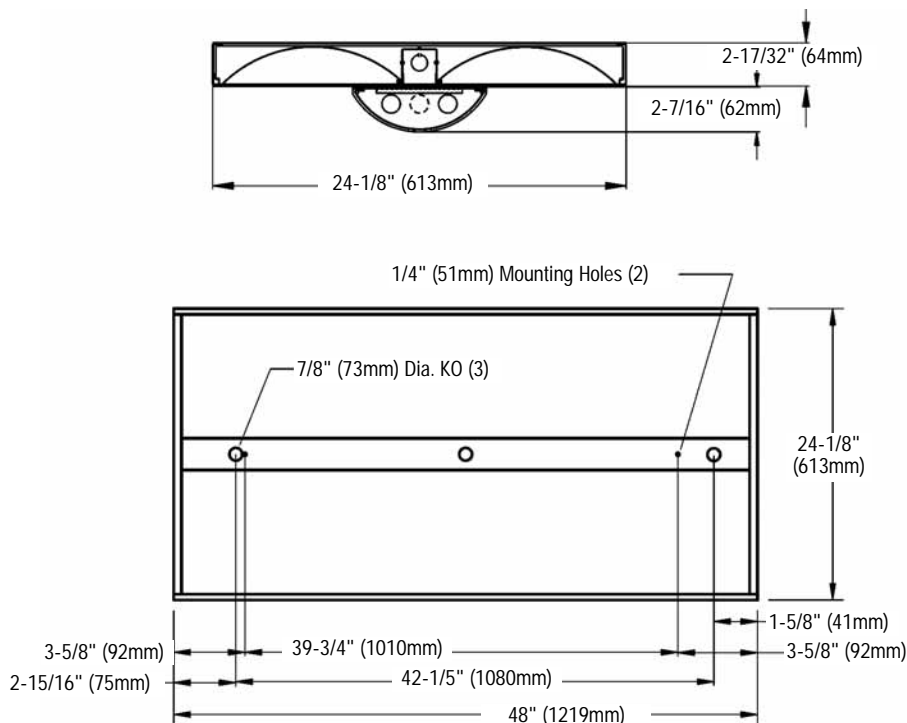


### Features

- Direct/indirect lamp shield appearance with soft contoured interior.
- Perforated mesh lamp shield with white acrylic overlay.
- 68.0% efficient (2 lamp T8).
- 66.0% efficient (3 lamp T8).
- Lamp shield hinges from either side.
- Optional DALI ballast iGEN TECHNOLOGY accepts digital dimming controllers, scene controllers and automatic control devices.
- Meets NYC Code requirements.
- Not for continuous row mounting.



### Dimensions



### Job Information

### Type:

**Job Name:**

**Cat. No.:**

**Lamp(s):**

**Volts/Ballast:**

For Factory Technical Information: (978) 657-7600 • Fax (978) 658-0595  
631 Airport Road, Fall River, MA 02720 • (508) 679-8131 • Fax (508) 674-4710  
We reserve the right to change details of design, materials and finish.  
www.lightolier.com © 2008 a Philips Group

11/08

Section 5/Folio M15-90

### Model No. CDB2SPF232UNVHI

LER = FP - 64.7 IW - 50.4 BF - 0.88  
Comparative yearly lighting energy cost per 1000 lumens = \$3.71

Report Number: G2007114A  
Catalog Number: CDB2SPF232UNVHI  
Lamps: (2) F28T8  
Luminaire: Coffaire Drop Basket  
Ballast: OTP2X32T8/UNV ISN SC  
Report is based on 2725 Lumens per lamp.  
Efficiency: 68.0%  
CIE Type-Direct-Indirect  
Plane: 0-Deg 90-Deg  
Spacing Criteria: 1.2 1.3  
Shielding Angles: 90 90  
Plane: 0-Deg 90-Deg  
Luminous Length: 47.880 23.400

#### CANDELA DISTRIBUTION

	0.0	45.0	90.0	FLUX
0	1128	1128	1128	
5	1121	1122	1124	107
15	1068	1081	1094	305
25	970	1005	1041	463
35	834	902	968	565
45	668	784	878	601
55	481	658	776	576
65	297	532	657	502
75	149	400	505	388
85	36	203	283	200
90	5	65	125	

#### COEFFICIENTS OF UTILIZATION – ZONAL CAVITY METHOD. EFFECTIVE FLOOR CAVITY REFLECTANCE 0.20

RC	80	50	30	10
1	72	69	65	64
2	65	59	54	55
3	59	51	45	48
4	54	45	39	42
5	50	40	34	38
6	46	36	30	34
7	42	33	26	31
8	39	30	24	28
9	37	27	21	26
10	34	25	20	24

#### ZONAL LUMEN SUMMARY

ZONE	LUMENS	% LAMP	% FIXT
0- 30	876	16.1	23.6
0- 40	1440	26.4	38.8
0- 60	2618	48.0	70.6
0- 90	3708	68.0	100.0
90-180	0	0.0	0.0
0-180	3708	68.0	100.0

#### LUMINANCE DATA IN CANDELA/SQ. METER

AVERAGE IN DEG.	AVERAGE 0-DEG.	AVERAGE 45-DEG.	AVERAGE 90-DEG.
45	1241.	1420.	1550.
55	1079.	1424.	1622.
65	873.	1486.	1747.
75	665.	1645.	1925.
85	357.	1681.	2013.

### Model No. CDB2SPF332UNVH3

LER = FP - 38.9 IW - 122.0 BF - 0.88  
Comparative yearly lighting energy cost per 1000 lumens = \$6.17

Report Number: G2007116A  
Catalog Number: CDB2SPF332UNVH3  
Lamps: (3) F28T8  
Luminaire: Coffaire Drop Basket  
Ballast: OTP3X32T8/UNV ISN SC  
Report is based on 2725 Lumens per lamp.  
Efficiency: 66.0%  
CIE Type-Direct-Indirect  
Plane: 0-Deg 90-Deg  
Spacing Criteria: 1.2 1.3  
Shielding Angles: 90 90  
Plane: 0-Deg 90-Deg  
Luminous Length: 47.880 23.400

#### CANDELA DISTRIBUTION

	0.0	45.0	90.0	FLUX
0	1706	1706	1706	
5	1695	1696	1698	161
15	1612	1628	1648	460
25	1460	1508	1559	696
35	1253	1345	1435	842
45	999	1155	1284	886
55	716	952	1113	837
65	435	755	925	715
75	215	551	687	535
85	50	267	375	267
90	7	83	165	

#### COEFFICIENTS OF UTILIZATION – ZONAL CAVITY METHOD. EFFECTIVE FLOOR CAVITY REFLECTANCE 0.20

RC	80	50	30	10
1	71	67	64	63
2	64	58	53	54
3	58	50	44	47
4	53	44	38	42
5	48	39	33	37
6	45	35	29	34
7	41	32	26	30
8	39	29	23	28
9	36	27	21	26
10	34	25	19	24

#### ZONAL LUMEN SUMMARY

ZONE	LUMENS	% LAMP	% FIXT
0- 30	1317	16.1	24.4
0- 40	2159	26.4	40.0
0- 60	3883	47.5	71.9
0- 90	5399	66.0	100.0
90-180	0	0.0	0.0
0-180	5399	66.0	100.0

#### LUMINANCE DATA IN CANDELA/SQ. METER

AVERAGE IN DEG.	AVERAGE 0-DEG.	AVERAGE 45-DEG.	AVERAGE 90-DEG.
45	1856.	2091.	2267.
55	1606.	2060.	2326.
65	1279.	2108.	2459.
75	960.	2266.	2618.
85	495.	2211.	2667.

## Ordering Information

Explanation of Catalog Number. Example: CDB2SPF232UNVHI

<b>CD</b>	<b>B</b>	<b>2</b>	<b>S</b>	<b>P</b>	<b>F</b>	<b>32</b>	<b>120, 277 or UNV=120-277</b>	<b>Options:</b> Add appropriate suffix to catalog no., ie: (A)
Coffaire Drop Basket Direct/Indirect Recessed	Body Style: B = Surface Mounted	Fixture Width	Ceiling Type: Surface	Perforated Lamp Shield	Flat White Reflector	Lamp Quantity 1=1 Lamp 2=2 Lamp 3=3 Lamp	Voltage: 120, 277 or UNV=120-277	Ballast Type: <20THD <10THD 1 or 2 Lamp Elec. T8 <b>S0*</b> <b>H1*</b> 1-3 Lamp Elec. T8 <b>O3*</b> <b>H3*</b> LOL Dimming T8 <b>PS</b> <b>-</b> *Instant Start Standard Other dimming options. Consult factory.
							<b>NOTE:</b> For T8 UNV, you must use HI OR H3 Ballast Code.	

## Options/Accessories

**Fusing:** Internal fast blow fusing: SUFFIX: **A**.  
Internal slow blow fusing: SUFFIX: **C**.

**Electrical Wiring Options:** Consult factory.

**For motion or light sensor:** See Folio OA20-10.

## Specifications

**Performance:** In an installation of 2 lamp 32W luminaires in a room cavity ratio of 1, with reflectance 80% ceiling, 50% wall, 20% floor, the C.U. shall not be less than .69. To reduce glare the average brightness at 65° shall not exceed 1747 candelas per square meter. To control veiling reflections, luminaire output in the 30°-90° zone shall not be less than 76.4%.

**Materials:** Chassis parts are die-formed code gauge steel.

**Lamp Shield:** 22 gauge steel perforated mesh lamp shield with white acrylic overlay.

## Specifications (continued)

**Finish:** Chassis exterior – Soft white post painted polyester powder. Cavity – Soft white post painted polyester powder. Rust preventative undercoating. Reflector – Soft white post painted polyester powder.

**Electrical:** Thermally protected class "P" ballast C.B.M. approved, non PCB. If K.O. is within 3" of ballast, use wire suitable for at least 90°. UL Listed for damp locations.

**Labels:** I.B.E.W./UL and ULc Listed.

This product may have a mercury containing lamp. Manage in accord with Disposal Laws. See: www.lamprecycle.org

## Job Information

## Type:

For Factory Technical Information: (978) 657-7600 • Fax (978) 658-0595  
631 Airport Road, Fall River, MA 02720 • (508) 679-8131 • Fax (508) 674-4710

We reserve the right to change details of design, materials and finish.

www.lightolier.com © 2008 a Philips Group

Section 5/Folio M15-90