

### Ordering Information

Catalog Number	Diameter	Depth	Finish	Lamp
6790BK226U	14"	4"	Gloss Black	(2) 26W Quad Tube 4-Pin

### Features

- Diffuser:** Injection molded white translucent polycarbonate diffuser.
- Mounting:** Twist-lock fastening system.
- Ceiling Pan:** 20 ga. die formed steel.
- Lamps:** Compact Fluorescent (by others)
- Auxiliary Mounting Holes:** For direct mounting to ceiling surface.
- Insulation Pad:** 1" thick fiberglass
- Keyhole Mounting Slots:** (4) For direct mounting to 3" or 4" octagonal outlet boxes.

### Labels

UL Listed, Suitable for Damp Locations.

### Lamping

**Compact fluorescent:** 26W Quad tube 4-Pin

General Electric	Osram/Sylvania	Philips
F26DBXT4/SPX*/4P	CF 26DD/E/*	PL-C26W/*/4P

\*Manufacturers' color temperature designation.

### Electrical

<b>Lampholders:</b> Compact Fluorescent:	4-pin, G24q -3 base
<b>Ballast:</b>	Electronic 120/277V
Total Input Watts	53
Max. Line Current (Amps)	.46/.21
Power Factor	.98
Ballast Factor	1.0
THD	< 10%
Min. Starting Temps.	-20°C (-4°F)

### Job Information

### Type:

**Job Name:**

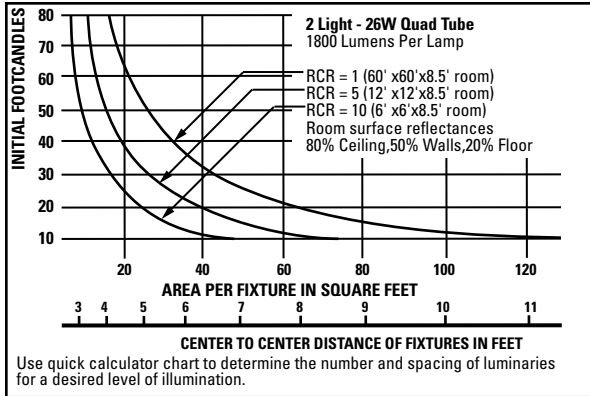
**Cat. No.:**

**Lamp(s):**

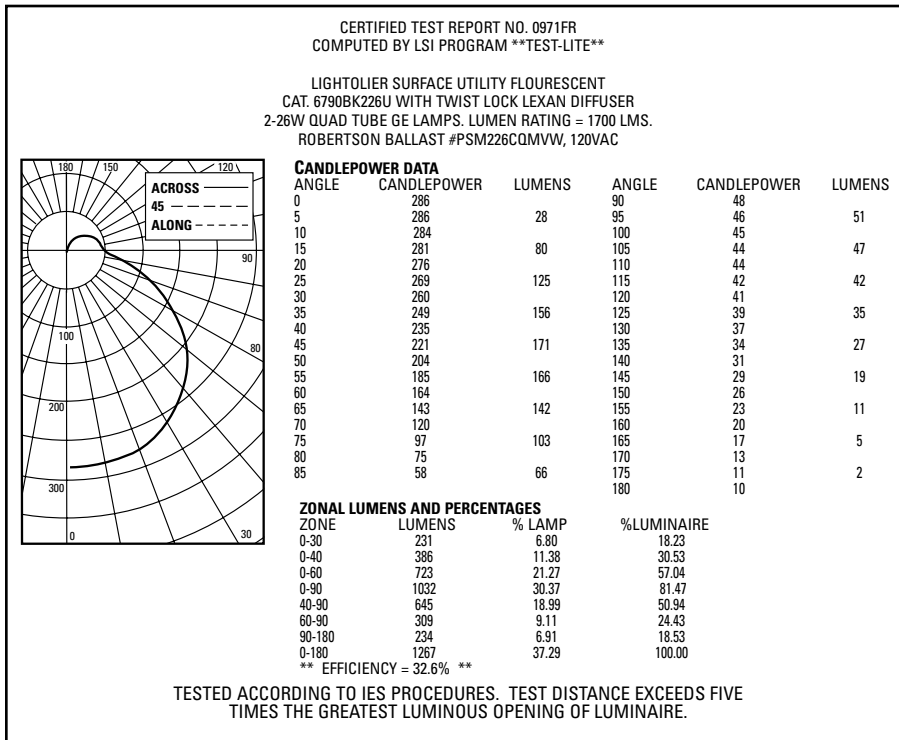
**Notes:**

Lightolier a Genlyte Thomas Company [www.lightolier.com](http://www.lightolier.com)  
 631 Airport Road, Fall River, MA 02720 • (508) 679-8131 • Fax (508) 674-4710  
 We reserve the right to change details of design, materials and finish.  
 © 2002 Genlyte Thomas Group LLC (Lightolier Division) • A0902

LIGHTOLIER®



SPACING RATIO = 1.3



**COEFFICIENTS OF UTILIZATION ZONAL CAVITY METHOD**  
%EFFECTIVE FLOOR CAVITY REFLECTANCE = .20

ROOM CAVITY RATIO	80			70			50			30			10			0
	50	30	10	50	30	10	50	30	10	50	30	10	50	30	10	
1	.37	.35	.33	.35	.34	.32	.32	.31	.30	.30	.29	.28	.27	.26	.26	.24
2	.32	.29	.27	.30	.28	.26	.28	.26	.24	.26	.24	.23	.24	.23	.21	.20
3	.28	.25	.22	.27	.24	.22	.25	.22	.20	.23	.21	.19	.21	.19	.18	.17
4	.25	.21	.19	.24	.21	.18	.22	.19	.17	.20	.18	.16	.19	.17	.16	.14
5	.22	.19	.16	.21	.18	.16	.19	.17	.15	.18	.16	.14	.17	.15	.13	.12
6	.19	.16	.14	.19	.16	.13	.17	.15	.13	.16	.14	.12	.15	.13	.11	.11
7	.17	.14	.12	.17	.14	.12	.16	.13	.11	.14	.12	.10	.13	.11	.10	.09
8	.16	.13	.10	.15	.12	.10	.14	.11	.10	.13	.11	.09	.12	.10	.09	.08
9	.14	.11	.09	.14	.11	.09	.13	.10	.08	.12	.10	.08	.11	.09	.08	.07
10	.13	.10	.08	.12	.10	.08	.12	.09	.07	.11	.09	.07	.10	.08	.07	.06

DETERMINED IN ACCORDANCE WITH CURRENT IES PUBLISHED PROCEDURES

**Job Information** **Type:**

Lightolier a Genlyte Thomas Company [www.lightolier.com](http://www.lightolier.com)  
631 Airport Road, Fall River, MA 02720 • (508) 679-8131 • Fax (508) 674-4710  
We reserve the right to change details of design, materials and finish.  
© 2002 Genlyte Thomas Group LLC (Lightolier Division) • A0902

**LIGHTOLIER®**