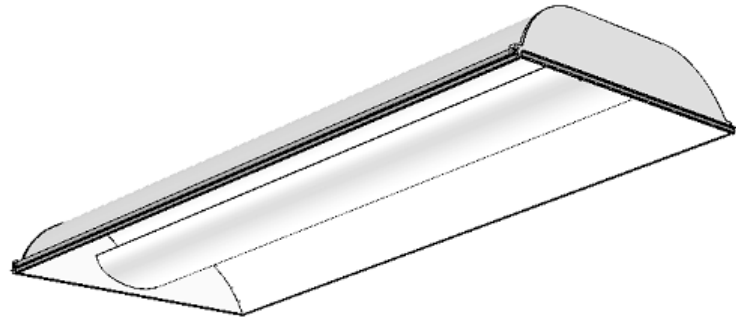


# Coffaire II Recessed Fluorescent **CFH2GPF232 or 332**

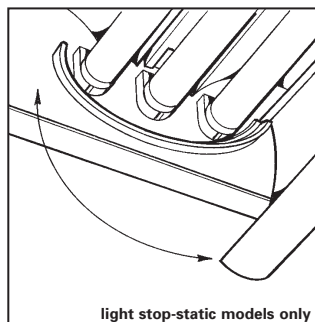
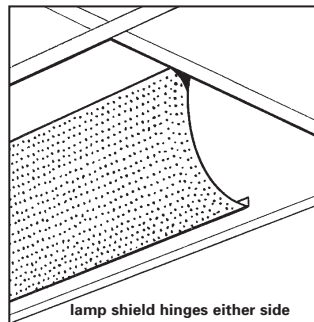
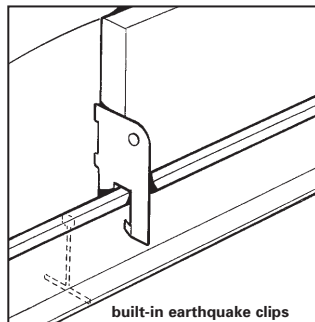
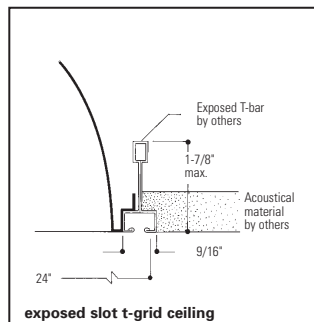
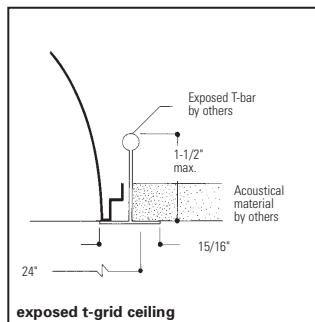
Direct/Indirect – 2' x 4' with Perforated Basket  
Air Return/Static, 2 Lamp or 3 Lamp T8

## Features

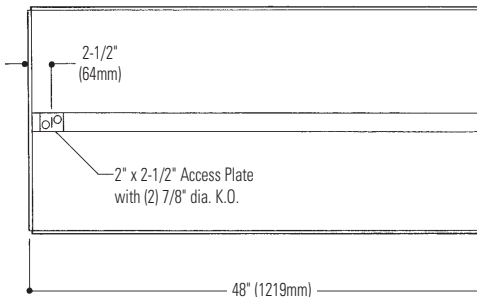
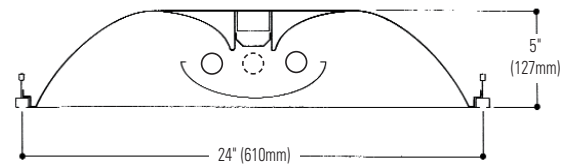
- Direct/indirect lamp shield appearance.
- Perforated mesh lamp shield with white acrylic overlay.
- Contoured body and ends.
- Air return models meet UL 1598, Paragraph 9.2.2.5 requirements.
- 63.8% efficient (2 lamp).
- 60.2% efficient (3 lamp).
- Spacing to mounting ratio 1.4 (2 lamp).
- Spacing to mounting ratio 1.3 (3 lamp).
- Only 5" deep.
- Tension bars secure ends to body.
- Same fixture fits both G and T ceiling.
- Fits flush to face of slot grid (T) ceiling.
- Static models have injection molded light stop at basket ends.
- Perforated lamp shield hinges from either side.
- Ballast accessible from room side.
- Can be continuous row mounted.
- Wiring access plate standard.
- Construction to meet NYC Code or Chicago Plenum requirement is available.



## Mounting Methods



## Dimensions



Job Information	Type:
<b>Job Name:</b>	
<b>Cat. No.:</b>	
<b>Lamp(s):</b>	
<b>Volts/Ballast:</b>	

Lightolier a Genlyte company [www.lightolier.com](http://www.lightolier.com)  
 Technical Information: (978) 657-7600 • Fax (978) 658-0595  
 631 Airport Road, Fall River, MA 02720 • (508) 679-8131 • Fax (508) 674-4710  
 We reserve the right to change details of design, materials and finish.  
 © 2005 a Genlyte company **Section 5/Folio M15-55**



# Coffaire II Recessed Fluorescent CFH2GPF232 or 332

Direct/Indirect – with Perforated Basket  
Air Return/Static, 2 Lamp or 3 Lamp T8

### Model No. CFH2GPF232120SO

LER = FP - 54.7 IW - 58.0 BF - 0.87  
Comparative yearly lighting energy cost per  
1000 lumens = \$4.39

Report Number: G2004255  
Catalog Number: CFH2GPF232120SO  
Lamps: F32/T8 TL841  
Luminaire: Coffaire II with perforated  
basket  
Ballast: Triad B232IUNV-HP, 58 watts  
Report is based on 2850 Lumens per lamp.  
Efficiency: 63.8%  
CIE Type-Direct-Indirect  
Plane: 0-Deg 90-Deg  
Spacing Criteria: 1.2 1.4  
Shielding Angles: 90 90  
Plane: 0-Deg 90-Deg  
Luminous Length: 46.920 22.920

#### CANDELA DISTRIBUTION

	0.0	45.0	90.0	FLUX
0	1179	1179	1179	
5	1172	1174	1176	112
15	1120	1135	1151	321
25	1028	1067	1105	492
35	899	972	1031	606
45	742	851	931	651
55	555	705	794	618
65	357	528	614	504
75	175	308	243	281
85	37	43	47	52
90	0	0	0	

#### COEFFICIENTS OF UTILIZATION – ZONAL CAVITY METHOD. EFFECTIVE FLOOR CAVITY REFLECTANCE 0.20

RC	80	50	30
RW	70	50	30
1	69	66	63
2	63	57	53
3	57	50	45
4	52	44	38
5	48	39	33
6	44	35	29
7	41	32	26
8	38	29	23
9	35	27	21
10	33	25	19

#### LUMINANCE DATA IN CANDELA/SQ. METER

AVERAGE IN DEG.	AVERAGE 0-DEG.	AVERAGE 45-DEG.	AVERAGE 90-DEG.
45	1512.	1734.	1897.
55	1394.	1771.	1994.
65	1217.	1800.	2093.
75	974.	1715.	1353.
85	612.	711.	777.

#### ZONAL LUMEN SUMMARY

ZONE	LUMENS	% LAMP	% FIXT
0- 30	925	16.2	25.4
0- 40	1531	26.9	42.1
0- 60	2800	49.1	77.0
0- 90	3636	63.8	100.0
90-180	0	0.0	0.0
0-180	3636	63.8	100.0

### Model No. CFH2GPF33212003

LER = FP - 50.7 IW - 85 BF - 0.88  
Comparative yearly lighting energy cost per  
1000 lumens = \$4.73

Report Number: G2004256  
Catalog Number: CFH2GPF33212003  
Lamps: F32/T8 TL841  
Luminaire: Coffaire II with perforated  
basket  
Ballast: SYL QT3X32T8 120, 89.0 watts  
Report is based on 2850 Lumens per lamp.  
Efficiency: 60.2%  
CIE Type-Direct-Indirect  
Plane: 0-Deg 90-Deg  
Spacing Criteria: 1.2 1.3  
Shielding Angles: 90 90  
Plane: 0-Deg 90-Deg  
Luminous Length: 46.920 22.920

#### CANDELA DISTRIBUTION

	0.0	45.0	90.0	FLUX
0	1733	1733	1733	
5	1722	1725	1729	164
15	1645	1668	1693	472
25	1507	1563	1613	720
35	1316	1412	1483	879
45	1076	1213	1310	930
55	801	983	1083	863
65	504	712	809	682
75	244	394	335	369
85	51	58	63	72
90	0	0	0	

#### COEFFICIENTS OF UTILIZATION – ZONAL CAVITY METHOD. EFFECTIVE FLOOR CAVITY REFLECTANCE 0.20

RC	80	50	30
RW	70	50	30
1	66	63	60
2	59	54	50
3	54	48	43
4	49	42	37
5	45	37	32
6	42	34	28
7	39	30	25
8	36	28	23
9	34	25	20
10	32	23	19

#### LUMINANCE DATA IN CANDELA/SQ. METER

AVERAGE IN DEG.	AVERAGE 0-DEG.	AVERAGE 45-DEG.	AVERAGE 90-DEG.
45	2192.	2472.	2669.
55	2012.	2469.	2720.
65	1718.	2427.	2758.
75	1358.	2193.	1865.
85	843.	959.	1041.

#### ZONAL LUMEN SUMMARY

ZONE	LUMENS	% LAMP	% FIXT
0- 30	1356	15.9	26.3
0- 40	2235	26.1	43.4
0- 60	4027	47.1	78.2
0- 90	5150	60.2	100.0
90-180	0	0.0	0.0
0-180	5150	60.2	100.0

## Ordering Information

Explanation of Catalog Number. Example: CFH2GPF232120SO

<b>CF</b> Coffaire II: Direct/ Indirect: Recessed with Perforated Mesh Shield	<b>CY</b> Body Style: S = Static H = Air Return	<b>2</b> Fixture Width	<b>G</b> Ceiling Type: Fits both Standard Grid and Slot Grid	<b>P</b> Perforated Lamp Shield	<b>F</b> Flat White Reflector	<b>32</b> Lamp Quantity 2=2 Lamp 3=3 Lamp	<b>32</b> Lamp: (By Others) 32=T8 (Nominal 48")	<b>120, 277 or UNV=120-277</b> Voltage:	<b>Ballast Type:</b> <20THD <10THD 1 or 2 Lamp Elec. T8 <b>SO*</b> <b>HI*</b> 1-3 Lamp Elec. T8 <b>O3*</b> <b>H3*</b> LOL Dimming T8 <b>PS</b> *Instant Start Standard Other dimming options. Consult factory. <b>NOTE:</b> For T8 UNV, you must use <b>HL H3</b> Ballast Code.	<b>Options:</b> Add appropriate suffix to catalog no., ie: (GLR)
<b>CF</b> Standard Coffaire II	<b>CY</b> For NYC Code – I.B.E.W. Manufactured									
<b>CN</b> For NYC Code – Local 3 Manufactured										

## Options/Accessories

**Fusing:** Internal fast blow fusing: SUFFIX: **GLR**.  
Internal slow blow fusing: SUFFIX: **GMF**.

**Drywall Kit:** Order Catalog Number: **FK92X4** and **CF4FK SPACER**.

**Electrical Wiring Options:** Consult factory.

**Chicago Plenum:** SUFFIX: **C**.

## Specifications

**Performance:** In an installation of 2 lamp 32W luminaires in a room cavity ratio of 1, with reflectance 80% ceiling, 50% wall, 20% floor, the C.U. shall not be less than .66. To reduce glare the average brightness at 65° shall not exceed 2093 candelas per square meter. To control veiling reflections, luminaire output in the 30°-90° zone shall not be less than 74.6%.

**Materials:** Chassis parts are die-formed code gauge steel.

**Lamp Shield:** 22 gauge steel perforated mesh lamp shield with white acrylic overlay.

**Finish:** Chassis exterior – baked white post painted acrylic enamel. **Cavity** – baked white post painted acrylic enamel. **Reflector** – baked white post painted

## Specifications (continued)

acrylic enamel, minimum 86% reflectance. Phosphate undercoating. **Lamp Shield** – baked flat white acrylic enamel.

**Electrical:** Thermally protected class "P" ballast C.B.M. approved, non PCB. If K.O. is within 3" of ballast, use wire suitable for at least 90°.

UL Listed for damp locations.

**Labels:** I.B.E.W./UL and ULc Listed.

## Job Information

## Type:

**Lightolier** a Genlyte company [www.lightolier.com](http://www.lightolier.com)  
Technical Information: (978) 657-7600 • Fax (978) 658-0595  
631 Airport Road, Fall River, MA 02720 • (508) 679-8131 • Fax (508) 674-4710  
We reserve the right to change details of design, materials and finish.  
© 2005 a Genlyte company **Section 5/Folio M15-55**

**LIGHTOLIER**