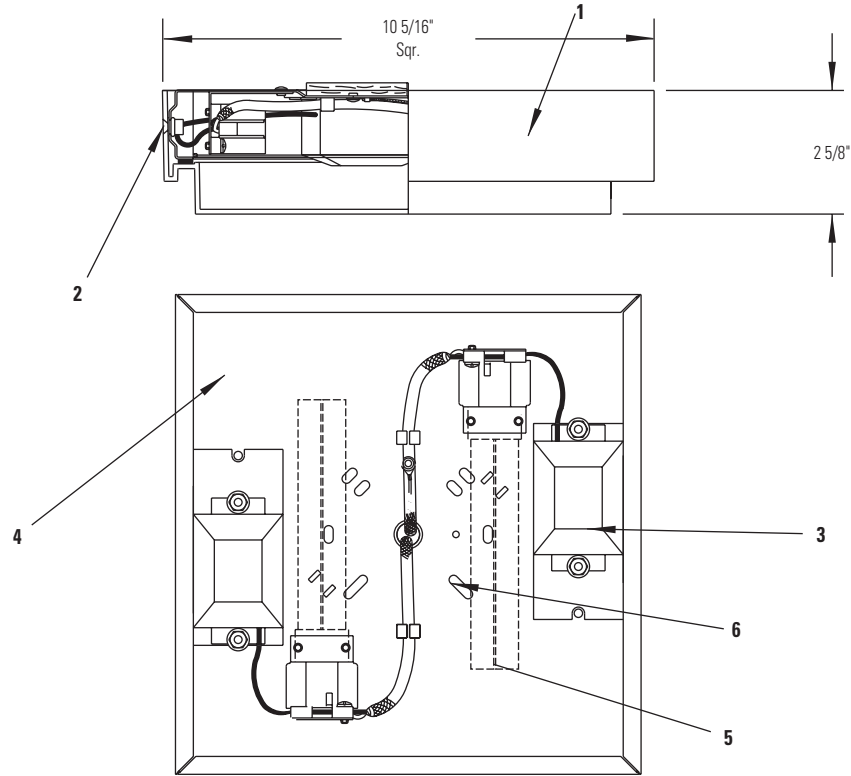




Decorative Lumiquad™ 6783WH213N1



Ceiling Pan Only

Ordering Information

Catalog Number	Finish	Ballast
6783WH213N1	Matte White	Magnetic NPF 120V
6783BZ213N1	Matte Bronze	Magnetic NPF 120V

Features

- 1. Diffuser:** Injection molded white translucent Polycarbonate.
- 2. Screw:** Diffuser removal, tamper proof.
- 3. Ballast:** Magnetic NPF 120V.
- 4. Ceiling Pan:** 16 ga. die formed aluminum
- 5. Lamps:** Compact fluorescent (by others).
- 6. Mounting:** K.O.'s for direct mounting to 3" or 4" octagonal junction boxes.

Lamping

Compact Fluorescent: (2)13W Twin Tube 2-Pin

General Electric	Osram/Sylvania	Philips
F13BX/SPX*	CF 13DS/*	PL-S13W/ *

*Manufacturers' color temperature designation.
13W lamp rated to start at 32°F.

Electrical

Lampholders:	Compact Fluorescent: 2-pin, GX23 base
Ballast:	Magnetic 120V
Total Input Watts	28
Max. Line Current (Amps)	.72
Power Factor	Normal
Ballast Factor	.8
THD	< 10%
Min. Starting Temps.	0°C (32°F)

Labels

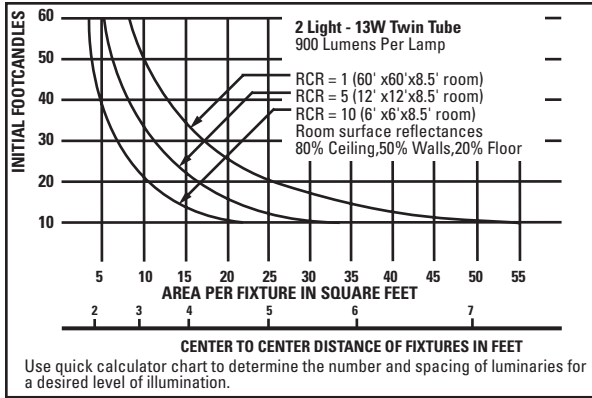
UL Listed, Suitable for Wet Locations.

Job Information	Type:
Job Name:	
Cat. No.:	
Lamp(s):	
Notes:	

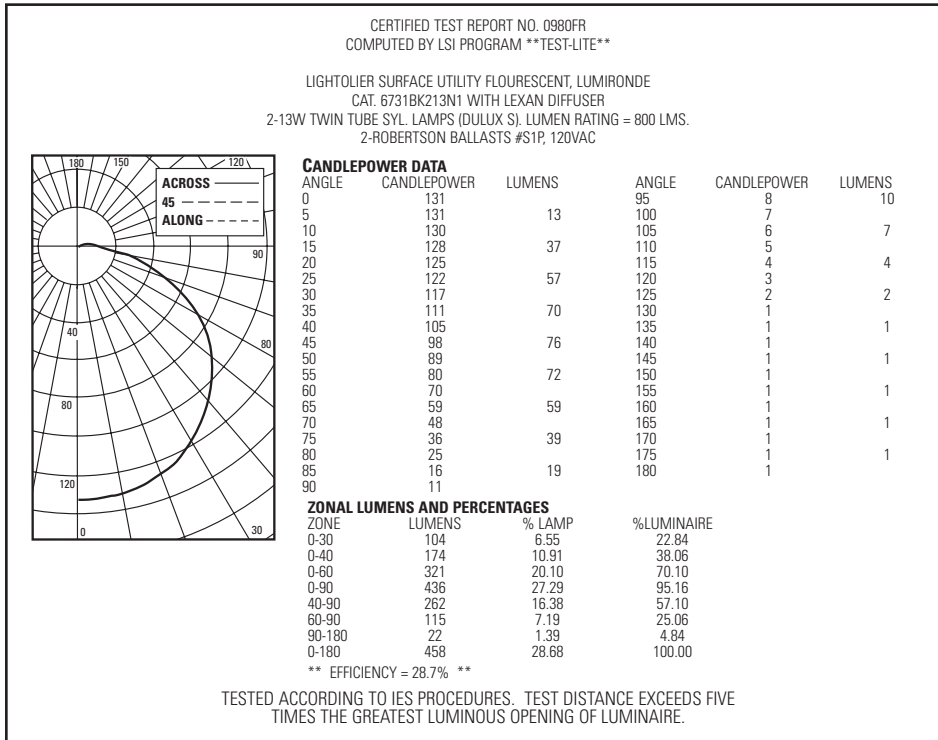
LIGHTOLIER®



Decorative Lumironde™ 6783WH213N1



SPACING RATIO = 1.3



COEFFICIENTS OF UTILIZATION ZONAL CAVITY METHOD
%EFFECTIVE FLOOR CAVITY REFLECTANCE = .20

ROOM CAVITY RATIO	80			70			50			30			10			0
	50	30	10	50	30	10	50	30	10	50	30	10	50	30	10	
1	.29	.28	.27	.29	.28	.26	.27	.26	.25	.26	.25	.24	.25	.24	.23	.23
2	.26	.24	.22	.25	.23	.22	.24	.22	.21	.23	.21	.20	.22	.21	.20	.19
3	.23	.20	.18	.22	.20	.18	.21	.19	.18	.20	.18	.17	.19	.18	.17	.16
4	.20	.18	.16	.20	.17	.15	.19	.17	.15	.18	.16	.15	.17	.16	.14	.14
5	.18	.15	.13	.17	.15	.13	.17	.15	.13	.16	.14	.13	.15	.14	.12	.12
6	.16	.13	.12	.16	.13	.11	.15	.13	.11	.14	.12	.11	.14	.12	.11	.10
7	.14	.12	.10	.14	.12	.10	.13	.11	.10	.13	.11	.09	.12	.11	.09	.09
8	.13	.10	.09	.13	.10	.09	.12	.10	.08	.12	.10	.08	.11	.09	.08	.08
9	.12	.09	.08	.11	.09	.08	.11	.09	.07	.11	.09	.07	.10	.08	.07	.07
10	.11	.08	.07	.10	.08	.07	.10	.08	.07	.10	.08	.06	.09	.08	.06	.06

DETERMINED IN ACCORDANCE WITH CURRENT IES PUBLISHED PROCEDURES

Job Information Type:

Lightolier a Genlyte Company www.lightolier.com
631 Airport Road, Fall River, MA 02720 • (508) 679-8131 • Fax (508) 674-4710
We reserve the right to change details of design, materials and finish.
© 2006 Genlyte Group LLC • C0406

LIGHTOLIER®