

**Ordering Information:**

Cat. No.	Diameter	Depth	Finish	Voltage	Lamps
6750WH213U	11"	3 7/8"	Gloss White	Electronic 120/277V	(2) 13W Quad Tube 4-Pin (G24q-1 base) General Electric F13DBX/SPX*/4P    Osram/Sylvania CF13DD/E/*    Philips PL-C13W/*/4P
6750WH213N1	11"	3 7/8"		Magnetic NPF 120V	(2) 13W Quad Tube 2-Pin (GX23-2 base) General Electric F13DBX23T4/SPX*    Osram/Sylvania CF13DD/*    Philips PLC13W/*/USA

\*Manufacturers' color temperature designation.

**Features**

- Ceiling Pan:** Die-formed 16 ga. aluminum.
- Diffuser:** Injection molded white translucent acrylic with twist-lock fastening feature.
- Insulation Pad:** 1" Thick fiberglass.
- Lamp Socket:** Electronic Ballast: (2) 4-pin G24q-1 base.  
Magnetic Ballast: (2) 2-pin GX23-2 base
- Ballast:** See Electrical/Ballast.  
**Magnetic:** (2) one lamp, encased and potted, NPF, class "P", sound rated "A", UL listed for Type 1 outdoor.  
**Electronic:** (1) two lamp, encased, class "P", sound rated "A", UL listed for Type 1 outdoor.
- Keyhole Mounting Slots:** (4) for direct mounting to 3" or 4" octagonal outlet box.

**Electrical/Ballast**

	13W Magnetic (NPF) 120V	13W Electronic 120V	277V
Total Input Watts	36	30	30
Max. Line Current (Amps)	.75	.25	.11
Power Factor	N	> .97	>.97
Ballast Factor	1.0	>0.98	>0.98
THD	< 15%	< 10%	<10%
Min. Starting Temps.	0°C (32°F)	18°C (0°F)	18°C (0°F)

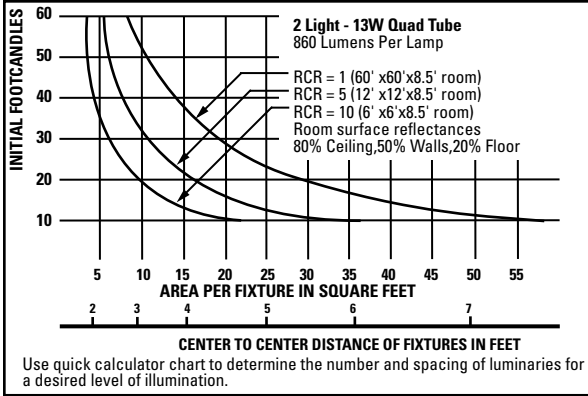
**Labels**

UL Listed for Damp Locations, and 90°C supply conductors.

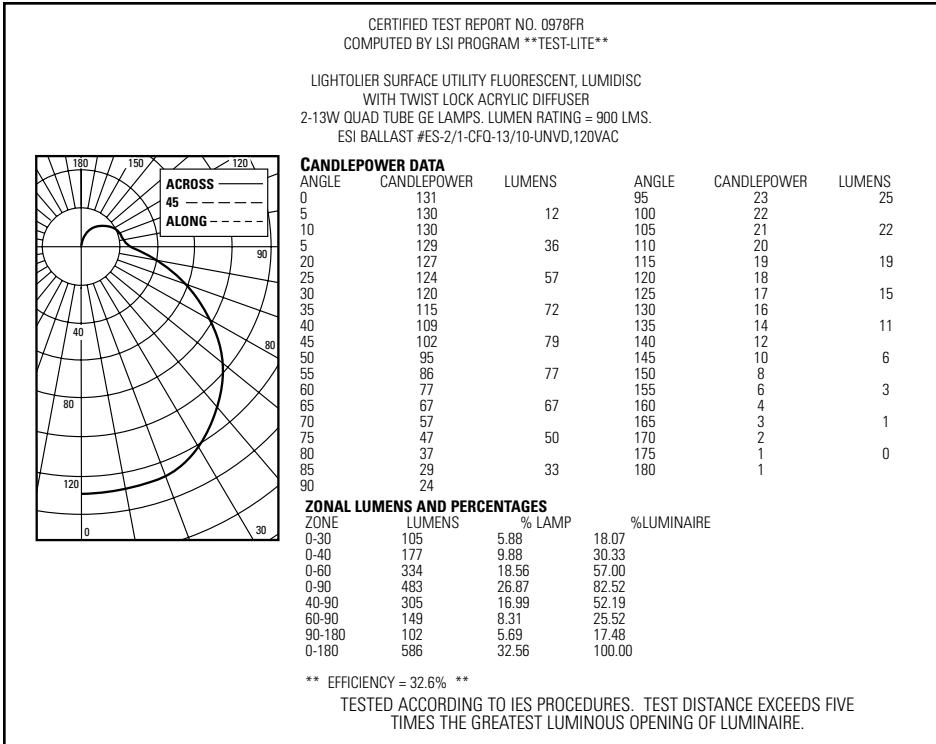
Job Information	Type:
<b>Job Name:</b>	
<b>Cat. No.:</b>	
<b>Lamp(s):</b>	
<b>Notes:</b>	

Lightolier a Genlyte Thomas Company    www.lightolier.com  
 631 Airport Road, Fall River, MA 02720 • (508) 679-8131 • Fax (508) 674-4710  
 We reserve the right to change details of design, materials and finish.  
 © 2002 Genlyte Thomas Group LLC (Lightolier Division) • A0902

**LIGHTOLIER®**



SPACING RATIO = 1.4



**COEFFICIENTS OF UTILIZATION ZONAL CAVITY METHOD**  
%EFFECTIVE FLOOR CAVITY REFLECTANCE = .20

ROOM CAVITY RATIO	80			70			50			30			10			0
	50	30	10	50	30	10	50	30	10	50	30	10	50	30	10	
	1	.32	.31	.29	.31	.29	.28	.28	.27	.26	.26	.25	.24	.24	.23	
2	.28	.25	.23	.27	.25	.23	.25	.23	.21	.23	.21	.20	.21	.20	.19	.18
3	.24	.22	.19	.23	.21	.19	.22	.19	.18	.20	.18	.17	.18	.17	.16	.15
4	.21	.19	.16	.21	.18	.16	.19	.17	.15	.18	.16	.14	.16	.15	.14	.13
5	.19	.16	.14	.18	.16	.14	.17	.15	.13	.16	.14	.12	.15	.13	.12	.11
6	.17	.14	.12	.16	.14	.12	.15	.13	.11	.14	.12	.11	.13	.11	.10	.09
7	.15	.12	.10	.15	.12	.10	.14	.11	.10	.13	.11	.09	.12	.10	.09	.08
8	.14	.11	.09	.13	.11	.09	.12	.10	.08	.11	.09	.08	.11	.09	.08	.07
9	.12	.10	.08	.12	.09	.08	.11	.09	.07	.10	.08	.07	.10	.08	.07	.06
10	.11	.09	.07	.11	.08	.07	.10	.08	.06	.10	.08	.06	.09	.07	.06	.05

DETERMINED IN ACCORDANCE WITH CURRENT IES PUBLISHED PROCEDURES

**Job Information** **Type:**

Lightolier a Genlyte Thomas Company [www.lightolier.com](http://www.lightolier.com)  
631 Airport Road, Fall River, MA 02720 • (508) 679-8131 • Fax (508) 674-4710  
We reserve the right to change details of design, materials and finish.  
© 2002 Genlyte Thomas Group LLC (Lightolier Division) • A0902

**LIGHTOLIER**