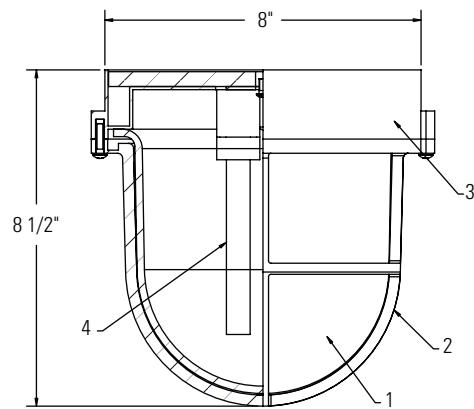


Incandescent Model



Twin Tube Model

Ordering Information:

Cat. No.	Diameter	Extension	Finish	Voltage	Lamps (by others)
4821BK	8 11/16"	8 1/2"	Black	120V	(1) 100W A19 MAX.
4848WH	8 11/16"	8 1/2"	White	120V	(1) 100W A19 MAX.
4823BK	8 11/16"	8 1/2"	Black	120V	(2) 9W Twin 2-pin (G23 base)
4847WH	8 11/16"	8 1/2"	White	120V	(2) 9W Twin 2-pin (G23 base)

General Electric Osram/Sylvania Philips
 F9BX/SPX/* CF90S/* PLS9W/*
*Manufactures color temperature designation.

Features

1. **Diffuser:** Pressed ceramic coated glass.
2. **Diffuser Housing:** Die-cast aluminum guard.
3. **Backplate:** 11 ga. aluminum.
4. **Lamp:** See Lamps.
5. **Ballast:** See Electrical/Ballast.

Electrical/Ballast

	9W NPF 120V
Total Input Watts	20
Max. Line Current (amps)	.36
Ballast Factor	.90
THD	< 20%
Min. Starting Temperature	-4°C (-25°F)

Mounting

Wall or Ceiling Mount to standard 4" octagonal outlet box.

Labels

UL Listed. Suitable for Wet Locations.

Job Information	Type:
Job Name:	
Cat. No.:	
Lamp(s):	
Notes:	

631 Airport Road, Fall River, MA 02720 • (508) 679-8131 • Fax (508) 674-4710
 We reserve the right to change details of design, materials and finish.
 www.lightolier.com © 2008 Philips Group • A0708