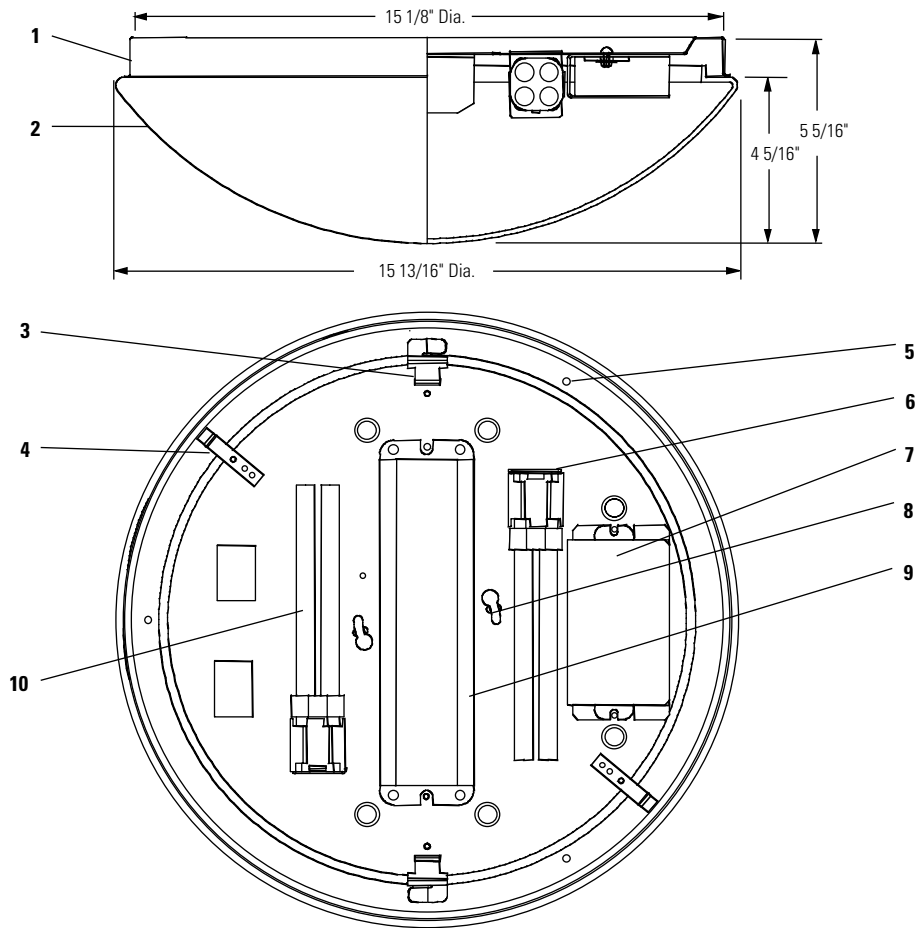




# Decorative Lumidome™ Basic 5231



### Ordering Information

Cat. No.	Finish	Lamps (by others)	Diameter	Depth
5231WH226U	Gloss White	(2) 26 W Quad Tube 4-Pin (G24q-3 base) General Electric   Osram/Sylvania   Philips F26DBXT4/SPX */4P   CF26DD/E/ *   PL-C26W/* /4P	15 3/16"	5 5/16"

\*Manufacturers' color temperature designation.

### Features

- Ceiling Pan:** Die-formed 16 ga. aluminum.
- Diffuser:** Formed white translucent acrylic.
- Bracket:** (2) Twist-lock fastener.
- Stop:** (2) Formed 18 ga. galvanized steel.
- Mounting Holes:** (3) 3/16" Dia., 120° apart on a 14 1/8" Dia. Bolt circle.
- Lamp Socket:** See Lamps.
- Ballast:** See Electrical/Ballast
- Keyhole Mounting Slots:** (2) For direct mounting to 4" octagonal outlet box.
- Emergency Lighting:** Add suffix **E** (See Specification Sheet SU-EM)
- Lamps:** (by others)

### Electrical/Ballast

	Electronic 120/277V
Total Input Watts	53
Max. Line Current (Amps)	.46 / .21
Power Factor	>.98
Ballast Factor	1.0
THD	<10%
Min. Starting Temps.	-20°C (-4°F)

### Label:

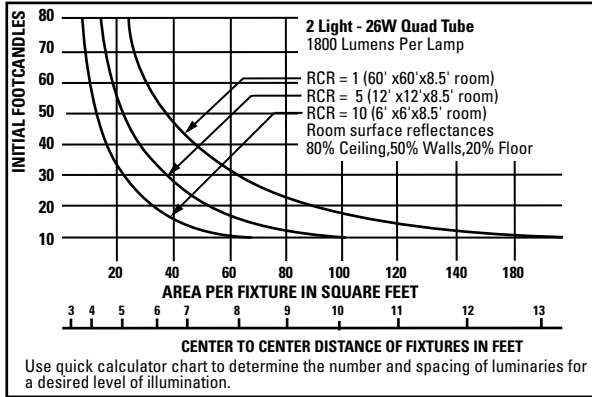
UL Listed, suitable for Damp Locations.  
†UL Listed, (for Indoor Dry Locations only).

US Patent Pending.

Job Information	Type:
<b>Job Name:</b>	
<b>Cat. No.:</b>	
<b>Lamp(s):</b>	
<b>Notes:</b>	

Lightolier a Genlyte Thomas Company [www.lightolier.com](http://www.lightolier.com)  
631 Airport Road, Fall River, MA 02720 • (508) 679-8131 • Fax (508) 674-4710  
We reserve the right to change details of design, materials and finish.  
© 2002 Genlyte Thomas Group LLC (Lightolier Division) • A0902

**LIGHTOLIER®**



SPACING RATIO = 1.3

CERTIFIED TEST REPORT NO. 1044FR  
COMPUTED BY LSI PROGRAM \*\*TEST-LITE\*\*

LIGHTOLIER SURFACE UTILITY FLOURESCENT LUMIDOME  
CAT. 5231WH226U WITH TWIST ACRYLIC DIFFUSER  
2-26W QUAD TUBE SYL.LAMPS. LUMEN RATING = 1800 LMS.  
ROBERTSON BALLAST #PSM226CQM/VV, 120VACATING = 1160 LMS.  
ROBERTSON BALLAST #RED1L10-120R, 120VAC

CANDLEPOWER DATA			CANDLEPOWER DATA		
ANGLE	CANDLEPOWER	LUMENS	ANGLE	CANDLEPOWER	LUMENS
0	450		95	79	86
5	448	43	100	64	
10	443		105	52	56
15	434	123	110	42	
20	422		115	35	36
25	407	189	120	30	
30	388		125	26	24
35	367	230	130	25	
40	342		135	24	19
45	317	246	140	24	
50	291		145	23	15
55	263	236	150	23	
60	235		155	23	11
65	209	208	160	23	
70	183		165	23	7
75	59	169	170	21	
80	136		175	19	2
85	115	126	180	21	
90	93				

ZONAL LUMENS AND PERCENTAGES			
ZONE	LUMENS	% LAMP	% LUMINAIRE
0-30	353	9.82	19.44
0-40	583	6.21	32.09
0-60	1064	29.58	58.56
0-90	1565	43.49	86.10
40-90	982	27.28	54.02
60-90	500	13.92	27.55
90-180	252	7.02	13.90
0-180	1818	50.51	100.00

\*\* EFFICIENCY = 50.5% \*\*

TESTED ACCORDING TO IES PROCEDURES.  
TEST DISTANCE EXCEEDS FIVE TIMES THE  
GREATEST LUMINOUS OPENING OF  
LUMINAIRE.

**COEFFICIENTS OF UTILIZATION ZONAL CAVITY METHOD**  
%EFFECTIVE FLOOR CAVITY REFLECTANCE = .20

ROOM CAVITY RATIO	80			70			50			30			10			0
	50	30	10	50	30	10	50	30	10	50	30	10	50	30	10	
	1	.50	.47	.45	.48	.46	.43	.44	.42	.41	.41	.40	.38	.38	.37	
2	.43	.39	.36	.41	.38	.35	.38	.36	.33	.36	.34	.31	.33	.31	.30	.28
3	.37	.33	.30	.36	.32	.29	.34	.30	.28	.31	.29	.26	.29	.27	.25	.24
4	.33	.29	.25	.32	.28	.25	.30	.27	.24	.28	.25	.23	.26	.24	.22	.20
5	.30	.25	.22	.29	.24	.21	.27	.23	.20	.25	.22	.19	.23	.21	.19	.17
6	.26	.22	.19	.26	.21	.18	.24	.20	.18	.22	.19	.17	.21	.18	.16	.15
7	.24	.19	.16	.23	.19	.16	.21	.18	.15	.20	.17	.14	.19	.16	.14	.13
8	.21	.17	.14	.21	.17	.14	.19	.16	.13	.18	.15	.13	.17	.14	.12	.11
9	.20	.15	.12	.19	.15	.12	.18	.14	.12	.17	.14	.11	.16	.13	.11	.10
10	.18	.14	.11	.17	.13	.11	.16	.13	.10	.15	.12	.10	.14	.12	.10	.09

DETERMINED IN ACCORDANCE WITH CURRENT IES PUBLISHED PROCEDURES

**Job Information** **Type:**

Lightolier a Genlyte Thomas Company [www.lightolier.com](http://www.lightolier.com)  
631 Airport Road, Fall River, MA 02720 • (508) 679-8131 • Fax (508) 674-4710  
We reserve the right to change details of design, materials and finish.  
© 2002 Genlyte Thomas Group LLC (Lightolier Division) • A0902

**LIGHTOLIER®**