

Complete Fixture consists of Lightshield and Backplate Assembly. Order each separately.

Lightshield Ordering Information

Cat. No.	Pattern/Description/Color	Cat. No.	Pattern/Description/Color	Cat. No.	Pattern/Description/Color
40872	Rolled "Rain" pattern texture, Silk-screened White/Clear	40866	Three Dimensional "Squares" White/Clear Silk-screened Pattern	40863	"Ceramic White" Silk-screened and Sandblasted

Backplate Assembly Ordering Information

Cat. No.	Finish	Lamp	Ballast Type	Input Voltage
40831H1	Satin Brass	24/27W Twin Tube	HPF Magnetic	120V
40831H2		Compact Fluorescent	HPF Magnetic	277V
40831U		4-Pin, 2G11 Base	HPF Electronic	120/277V
40831D1			HPF Electronic Dimmable	120V
40832H1	Satin Nickel	24/27W Twin Tube	HPF Magnetic	120V
40832H2		Compact Fluorescent	HPF Magnetic	277V
40832U		4-Pin, 2G11 Base	HPF Electronic	120/277V

Features

- Lightshield Holder:** Die-cast zinc alloy. Satin Brass or Satin Nickel finish with clear lacquer.
- Lightshield Support Peg:** Turned brass. Satin Brass or Satin Nickel finish with clear lacquer.
- Backplate:** 20 ga. (.036") Die-formed steel, gloss white finish.
- Socket:** Medium Base, Porcelain, Nickel Plate Screw Shell.
- Lamps:** Twin tube compact fluorescent, by others.
- Diffuser:** 6mm thick (Max.) Glass. See chart above for color options.
- Screw:** (4) Nylon. 8-32. To secure Diffuser.

Electrical

Ballasts:	Magnetic		Electronic	
Total Input Watts:	120V	277V	120V/277V Unv.	120V Dimmable
Max. Line Current:	31	34	25	28
Power Factor:	0.28	0.13	.21/.09	0.23
Ballast Factor:	0.90	0.95	1.0	0.8-0.9
THD:	<20%	<20%	<10%	<10%
Starting Temp:	10°C(50°F)	10°C(50°F)	-18°C(0°F)	-18°C(50°F)

Labels

UL listed suitable for damp locations.

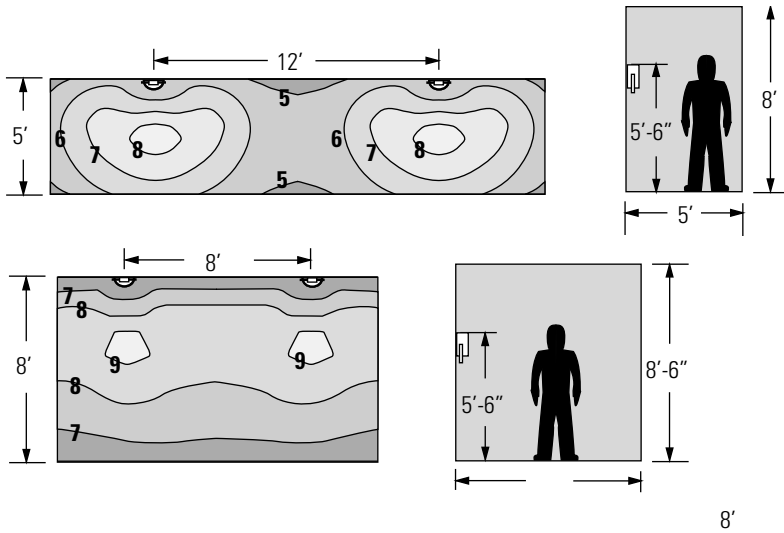
Job Information	Type:
Job Name:	
Cat. No.:	
Lamp(s):	
Notes:	

Lightolier a Genlyte Thomas Company www.lightolier.com
 631 Airport Road, Fall River, MA 02720 • (508) 679-8131 • Fax (508) 674-4710
 We reserve the right to change details of design, materials and finish.
 © 2002 Genlyte Thomas Group LLC (Lightolier Division) • A0902

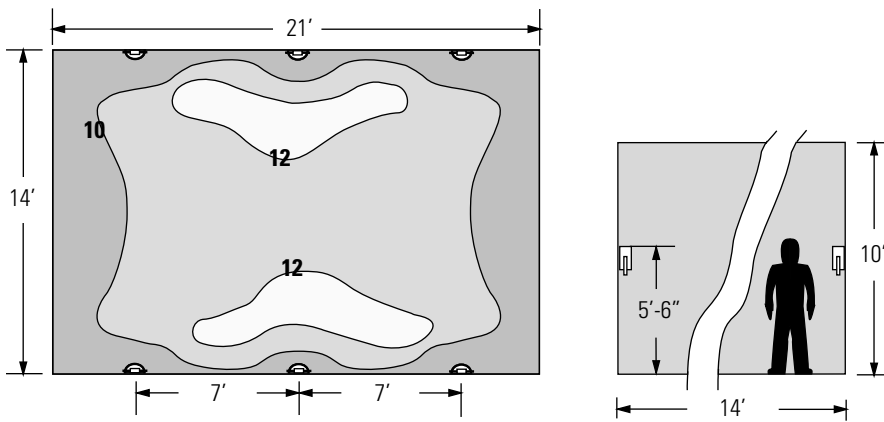
LIGHTOLIER



Hallway / Footcandles



Vestibule / Conference Room / Footcandles



Reflectances

80% ceiling / 50% wall / 20% floor
Footcandles are on floor.

Multiplier Factors

Data shown is based on an "All White" lightshield. For colors use 0.8 multiplier.

Lamp Specification

Lamp	Average Initial Lumens	Average Life Hrs.
24/27 TT	1800	10,000

Annual Energy Cost Savings

Compact Fluorescent	vs. Incandescent	24 hrs. / Day	10 hrs. / Day
1 -24/27W TT	2-60W T10	\$84	\$34 @ 10¢ /KWH

Job Information Type:

Lightolier a Genlyte Thomas Company www.lightolier.com
 631 Airport Road, Fall River, MA 02720 • (508) 679-8131 • Fax (508) 674-4710
 We reserve the right to change details of design, materials and finish.
 © 2002 Genlyte Thomas Group LLC (Lightolier Division) • A0902

LIGHTOLIER®