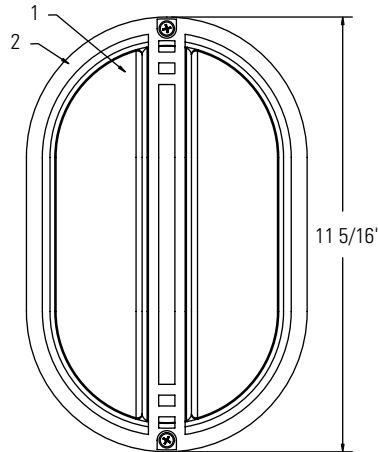
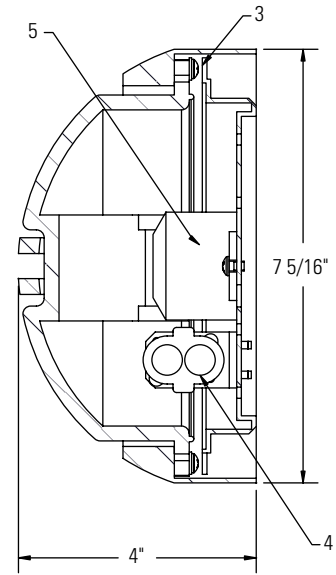


Incandescent Model



**Ballast Options**

H1 = High Power Factor (120V)  
N1 = Normal Power Factor (120V))



Twin Tube Model

**Ordering Information:**

Cat. No.	Width	Length	Ext.	Finish	Voltage	Lamps (by others)	
4511BK	7 5/16"	11 5/16"	4"	Black	120V	(1) 100W A19 MAX.	
4511SA	7 5/16"	11 5/16"	4"	Satin Aluminum	120V	(1) 100W A19 MAX.	
4511WH	7 5/16"	11 5/16"	4"	White	120V	(1) 100W A19 MAX.	
4511BK	7 5/16"	11 5/16"	4"	Black	120V	(2) 9W Twin 2-pin (G23 base)	<b>General Electric</b> <b>Osram/Sylvania</b> <b>Philips</b> F9BX/SPX/*   CF90S/*   PLS9W/* <small>*Manufactures color temperature designation.</small>
4511SA	7 5/16"	11 5/16"	4"	Satin Aluminum	120V	(2) 9W Twin 2-pin (G23 base)	
4511WH	7 5/16"	11 5/16"	4"	White	120V	(2) 9W Twin 2-pin (G23 base)	

**Features**

- 1. Diffuser:** Pressed ceramic coated glass.
- 2. Diffuser Housing:** Die-cast aluminum guard.
- 3. Backplate:** 11 ga. aluminum.
- 4. Lamp:** See Lamps.
- 5. Ballast:** See Electrical/Ballast.

**Labels**

UL Listed. Suitable for Wet Locations.

**Electrical/Ballast**

	9W HPF 120V	9W NPF 120V
Total Input Watts	22	20
Max. Line Current (amps)	.20	.36
Ballast Factor	.90	.90
THD	< 30%	< 20%
Min. Starting Temperature	-4°C (-25°F)	-4°C (-25°F)

**Mounting**

Wall Mount only to 4" octagonal outlet box.  
Can be Mounted in a vertical or horizontal position on a wall.

**Job Information**

**Type:**

**Job Name:**

**Cat. No.:**

**Lamp(s):**

**Notes:**

Lightolier a Genlyte company      www.lightolier.com  
 631 Airport Road, Fall River, MA 02720 • (508) 679-8131 • Fax (508) 674-4710  
 We reserve the right to change details of design, materials and finish.  
 © 2005 Genlyte Group LLC • A0805