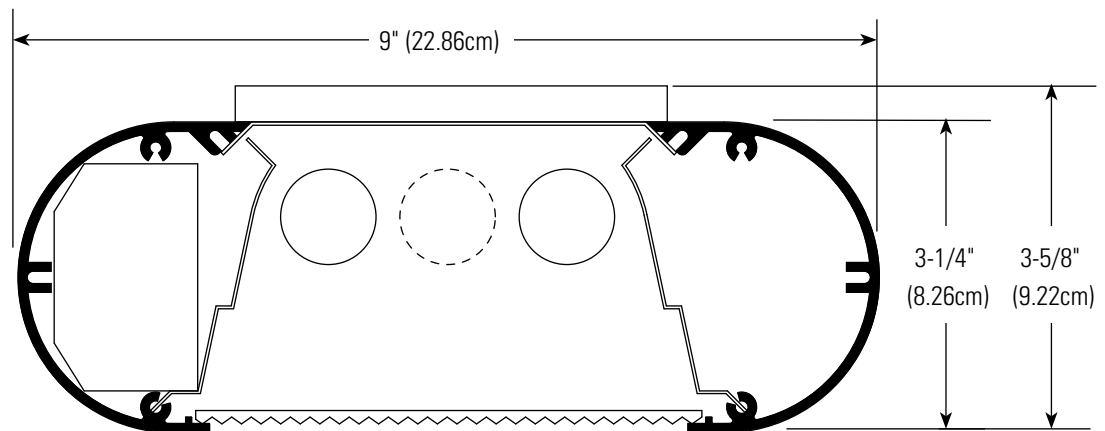


READ AND UNDERSTAND THESE INSTRUCTIONS BEFORE PROCEEDING.
RETAIN THESE INSTRUCTIONS FOR MAINTENANCE REFERENCE.

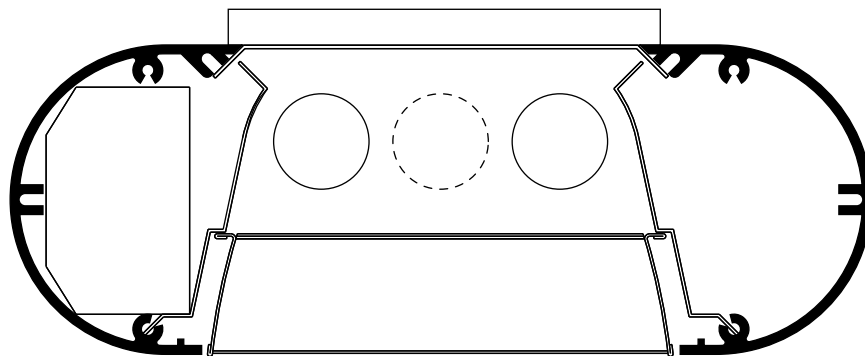
This fixture is intended for installation in accordance with the National Electrical Code and local regulations. To assure full compliance with local codes and regulations, check with your local electrical inspector before installation. To prevent electrical shock, turn off electricity at electrical panel before proceeding.

DO NOT INSTALL THIS SYSTEM IN A WET OR DAMP LOCATION.
DO NOT ENERGIZE ANYTHING OTHER THAN THE FIXTURES IN THE SYSTEM.

CONTRACTOR IS RESPONSIBLE FOR ADEQUATELY REINFORCING CEILING TO SUPPORT FIXTURE WEIGHT.



Lens



Louver

PROCEDURE TO INSTALL SURFACE MOUNT FIXTURE

Step 1. Unpack

Remove FIXTURE and CEILING PAN.

Step 2. IMPORTANT! Be Sure Electrical Power Is Off

Step 3. Mount Ceiling Pan

Locate desired position of FIXTURE to ceiling and drill two(2) 3/4" Ø HOLES (Fig. 1) Remove 2" Ø K.O. and two(2) KEYHOLE K.O.'s from CEILING PAN for J-BOX attachment. (Fig. 2) Slip TOGGLE BOLT thru CEILING PAN fasten TOGGLE NUTS and key CEILING PAN to SCREWS on J-BOX. Slip TOGGLE NUTS thru 3/4" Ø HOLES in ceiling and fasten firmly.

Step 4. Mount Fixture

Remove LENS or LOUVER from FIXTURE. Raise FIXTURE to ceiling and make required electrical Connections per local codes. Position FIXTURE to CEILING PAN and lock together with four(4) 8-32 HEX NUTS from LOOSE PARTS BAG.

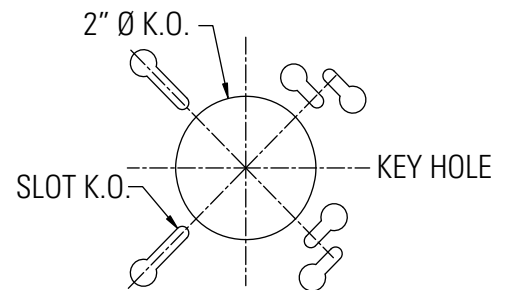
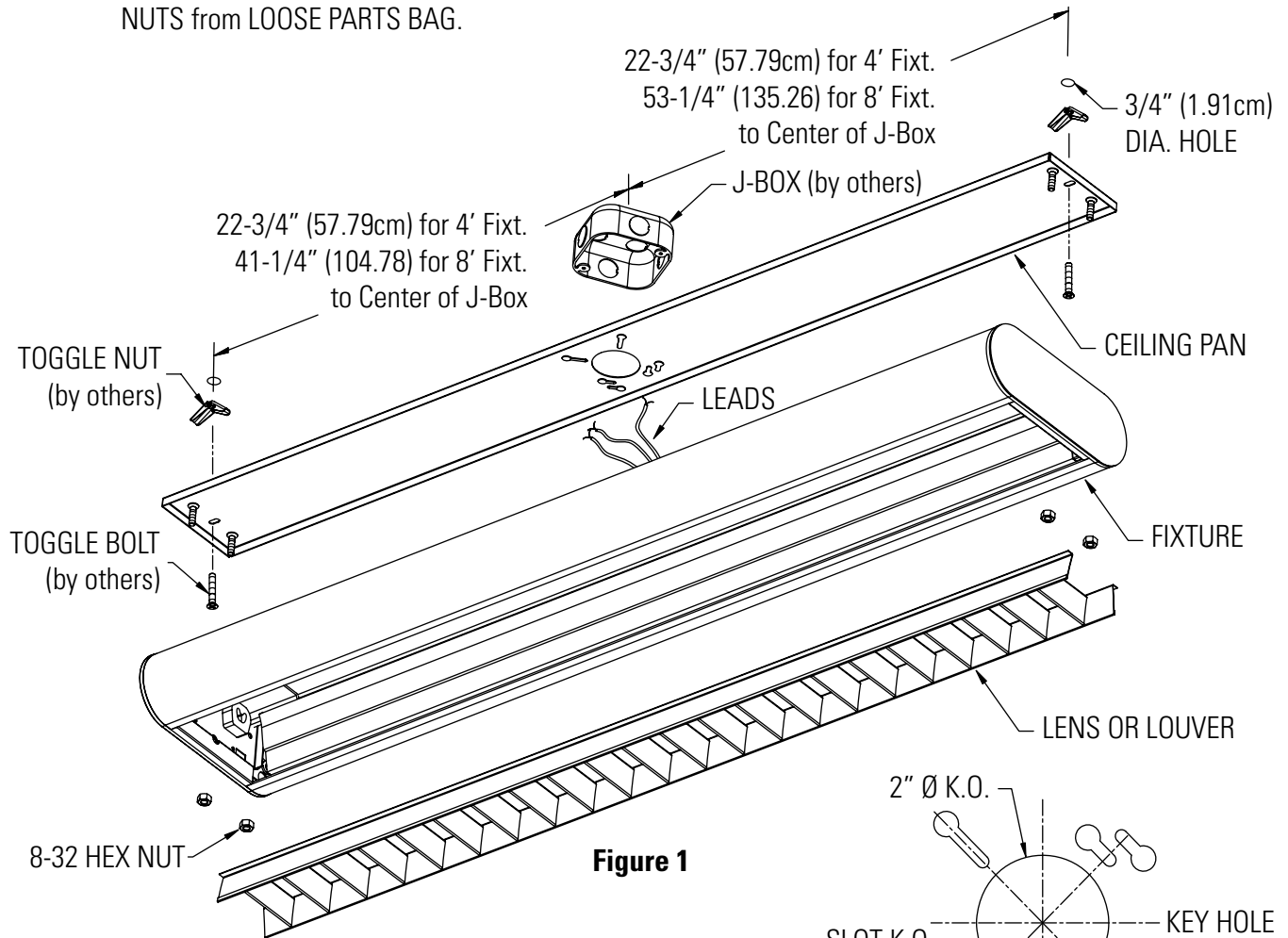


Figure 1

Figure 2

PROCEDURE TO INSTALL TANDEM MOUNT FIXTURE

Step 1. Be Sure Electrical Power Is Off

Step 2. Remove End Covers

Remove LENS or LOUVER. Replace screwdriver thru slots on REFLECTORS and pull REFLECTORS out. Unfasten 8-32 HEX NUTS on inside of FIXTURE and discard END COVERS.

Step 3. Tandem Mount Fixtures

Align FIXTURES together and slip two(2) 10-24x1/2" SCREWS from LOOSE PARTS BAG thru END PLATES and firmly fasten with two(2) 10-24 HEX NUTS from LOOSE PARTS BAG. Make required Electrical connections.

Step 4. Replace Reflectors

Insert bottom edge of REFLECTOR into channel (Fig. 4) against screw on left or right-hand side. Snap top edge under clips fasten to FIXTURE HOUSING. Insert Lamps. Replace LENS or LOUVER.

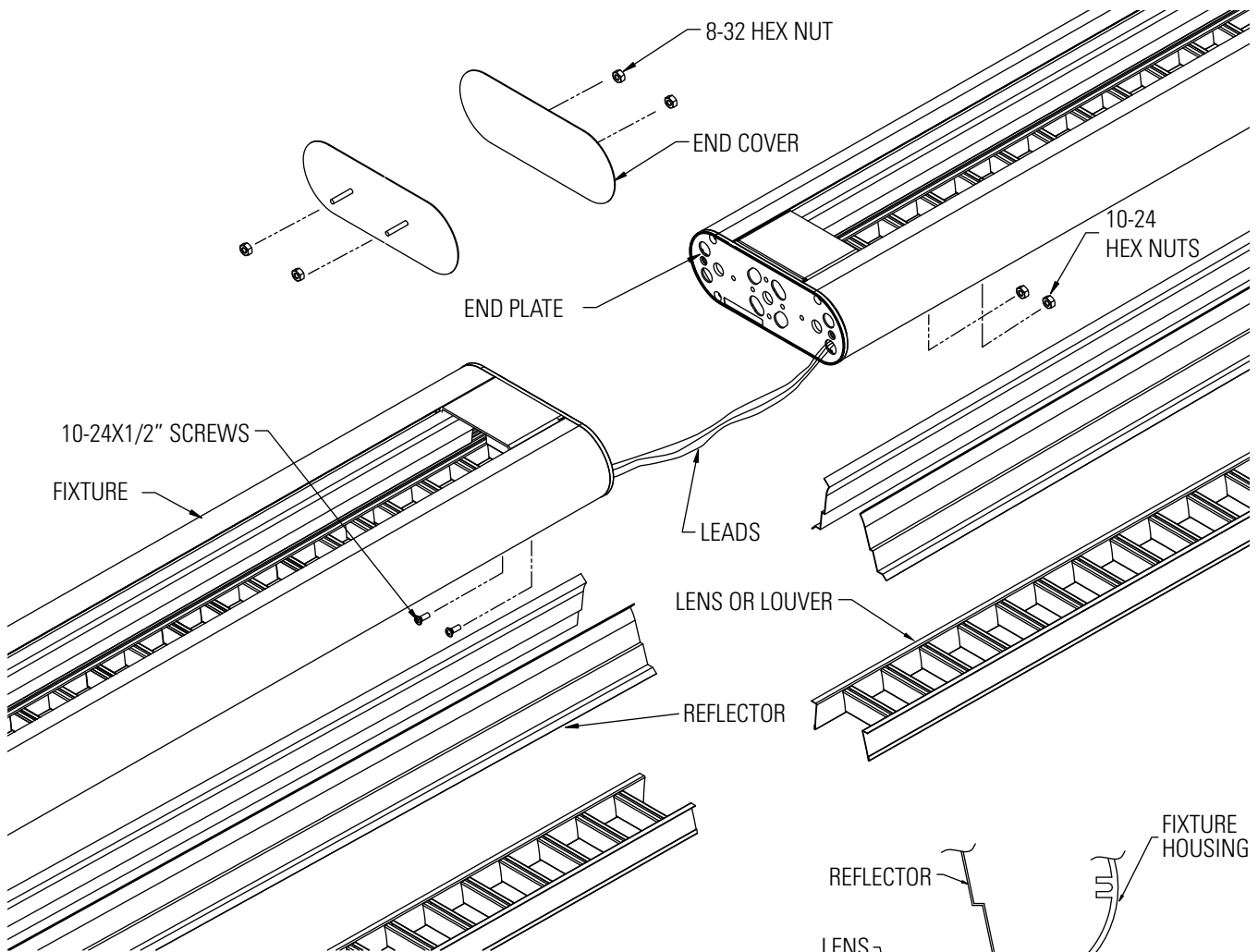


Figure 3

Figure 4