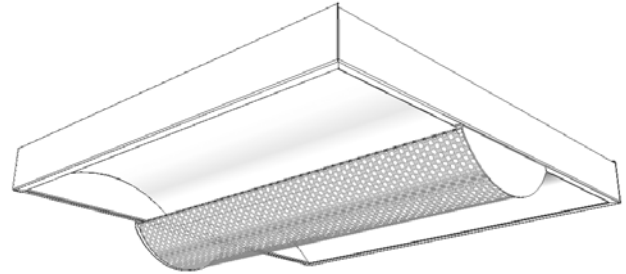
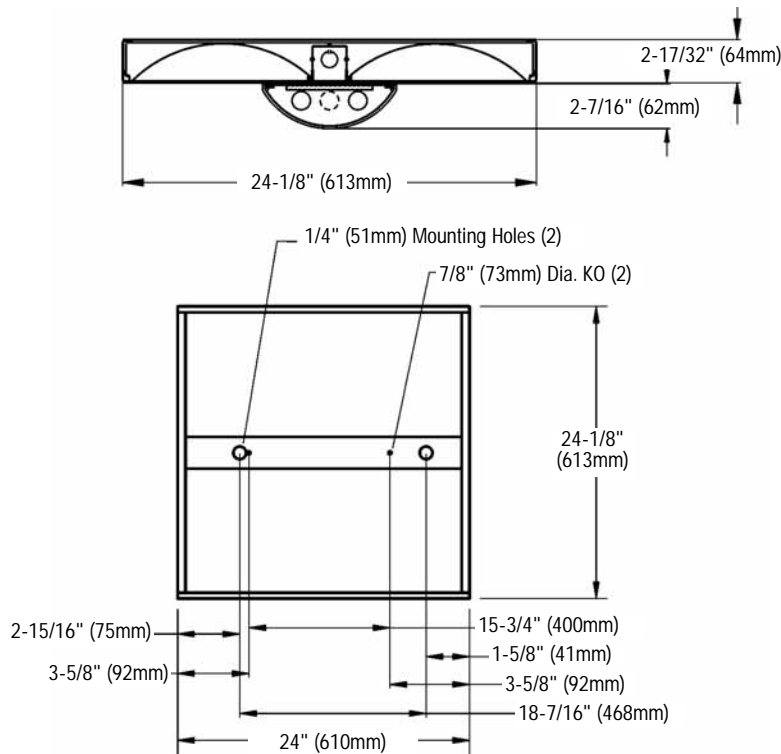


Features

- Direct/indirect lamp shield appearance with soft contoured interior.
- Perforated mesh lamp shield with white acrylic overlay.
- 59.4% efficient (2 lamp T8).
- 55.5% efficient (3 lamp T8).
- Lamp shield hinges from either side.
- Optional DALI ballast IGEN TECHNOLOGY accepts digital dimming controllers, scene controllers and automatic control devices.
- Meets NYC Code requirements.
- Not for continuous row mounting.



Dimensions



Job Information

Type:

Job Name:

Cat. No.:

Lamp(s):

Volts/Ballast:

For Factory Technical Information: (978) 657-7600 • Fax (978) 658-0595
631 Airport Road, Fall River, MA 02720 • (508) 679-8131 • Fax (508) 674-4710
We reserve the right to change details of design, materials and finish.
www.lightolier.com © 2008 a Philips Group

11/08

Section 5/Folio M15-94

Coffaire Drop Basket Surface CDB2SPF217 or 317

Page 2 of 2

Direct/Indirect Surface Mounted Fluorescent – 2' x 2' with Perforated Basket Static, 1, 2 or 3 Lamp T8

Model No. CDB2SPF217UNVHI

LER = FP - 46.6 IW - 30.8 BF - 0.88
Comparative yearly lighting energy cost per 1000 lumens = \$5.15

Report Number: G2007131A
Catalog Number: CDB2SPF217UNVHI
Lamps: (2) F17T8
Luminaire: Coffaire Drop Basket
Ballast: OTP2X17T8/UNV ISN SC
Report is based on 1375 Lumens per lamp.
Efficiency: 69.4%
CIE Type-Direct-Indirect
Plane: 0-Deg 90-Deg
Spacing Criteria: 1.2 1.3
Shielding Angles: 90 90
Plane: 0-Deg 90-Deg
Luminous Length: 23.040 23.040

CANDELA DISTRIBUTION

	0.0	45.0	90.0	FLUX
0	506	506	506	
5	503	504	504	48
15	478	484	491	137
25	431	448	467	207
35	368	400	432	251
45	294	344	390	265
55	210	285	343	251
65	130	227	292	217
75	69	169	231	168
85	18	91	135	89
90	2	31	59	

COEFFICIENTS OF UTILIZATION – ZONAL CAVITY METHOD. EFFECTIVE FLOOR CAVITY REFLECTANCE 0.20

RC	80	50	30	10	50	30	10
RW 70	50	30	10	50	30	10	50
1	62	60	57	56	54	52	50
2	57	52	47	48	45	42	41
3	52	45	40	42	38	34	37
4	47	40	34	37	33	29	36
5	43	35	30	33	28	25	32
6	40	32	26	30	25	22	29
7	37	29	23	27	23	19	26
8	34	26	21	25	20	17	24
9	32	24	19	23	18	15	22
10	30	22	17	21	17	14	21

ZONAL LUMEN SUMMARY

ZONE	LUMENS	% LAMP	% FIXT
0-30	392	14.2	24.0
0-40	642	23.4	39.3
0-60	1158	42.1	70.9
0-90	1633	59.4	100.0
90-180	0	0.0	0.0
0-180	1633	59.4	100.0

LUMINANCE DATA IN CANDELA/SQ. METER

AVERAGE IN DEG.	AVERAGE 0-DEG.	AVERAGE 45-DEG.	AVERAGE 90-DEG.
45	1054.	1280.	1451.
55	924.	1254.	1510.
65	727.	1270.	1634.
75	553.	1353.	1850.
85	268.	1354.	2009.

Model No. CDB2SPF317UNVH3

LER = FP - 42.6 IW - 43.9 BF - 0.88
Comparative yearly lighting energy cost per 1000 lumens = \$5.63

Report Number: G2007133A
Catalog Number: CDB2SPF317UNVH3
Lamps: (3) F17T8
Luminaire: Coffaire Drop Basket
Ballast: OTP3X17T8/UNV ISN SC
Report is based on 1375 Lumens per lamp.
Efficiency: 55.5%
CIE Type-Direct-Indirect
Plane: 0-Deg 90-Deg
Spacing Criteria: 1.2 1.3
Shielding Angles: 90 90
Plane: 0-Deg 90-Deg
Luminous Length: 23.040 23.040

CANDELA DISTRIBUTION

	0.0	45.0	90.0	FLUX
0	731	731	731	
5	726	727	729	69
15	688	698	708	197
25	621	644	669	297
35	530	573	616	359
45	419	489	552	376
55	298	400	479	353
65	180	313	399	299
75	93	226	307	224
85	23	117	174	116
90	3	40	75	

COEFFICIENTS OF UTILIZATION – ZONAL CAVITY METHOD. EFFECTIVE FLOOR CAVITY REFLECTANCE 0.20

RC	80	50	30	10	50	30	10
RW 70	50	30	10	50	30	10	50
1	59	56	53	53	50	49	47
2	54	48	44	45	42	39	41
3	49	42	37	40	36	32	35
4	44	37	32	35	31	27	34
5	41	33	28	31	27	24	30
6	38	30	25	28	24	21	27
7	35	27	22	26	21	18	25
8	32	25	20	23	19	16	23
9	30	23	18	22	17	15	21
10	28	21	16	20	16	13	19

ZONAL LUMEN SUMMARY

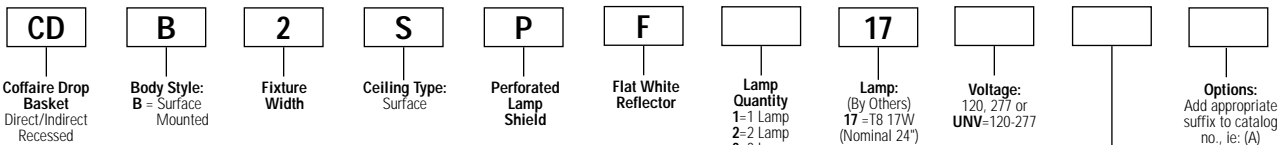
ZONE	LUMENS	% LAMP	% FIXT
0-30	564	13.7	24.6
0-40	922	22.4	40.3
0-60	1651	40.0	72.1
0-90	2290	55.5	100.0
90-180	0	0.0	0.0
0-180	2290	55.5	100.0

LUMINANCE DATA IN CANDELA/SQ. METER

AVERAGE IN DEG.	AVERAGE 0-DEG.	AVERAGE 45-DEG.	AVERAGE 90-DEG.
45	1559.	1820.	2054.
55	1312.	1761.	2108.
65	1007.	1751.	2232.
75	745.	1810.	2459.
85	342.	1741.	2590.

Ordering Information

Explanation of Catalog Number. Example: CDB2SPF217UNVHI



Ballast Type:

<20THD <10THD
1 or 2 Lamp Elec. T8 SO* HI*
1-3 Lamp Elec. T8 O3* H3*
LOL Dimming T8 PS -

*Instant Start Standard

Other dimming options. Consult factory.

NOTE:

For T8 UNV, you must use HI OR H3 Ballast Code.

Options/Accessories

Fusing: Internal fast blow fusing: SUFFIX: A.
Internal slow blow fusing: SUFFIX: C.

Electrical Wiring Options: Emergency Packs are only available for remote mounting. Consult factory.

For motion or light sensor: See Folio OA20-10.

Specifications

Performance: In an installation of 2 lamp 17W luminaires in a room cavity ratio of 1, with reflectance 80% ceiling, 50% wall, 20% floor, the C.U. shall not be less than .60. To reduce glare the average brightness at 65° shall not exceed 1634 candelas per square meter. To control veiling reflections, luminaire output in the 30°-90° zone shall not be less than 76%.

Materials: Chassis parts are die-formed code gauge steel.

Lamp Shield: 22 gauge steel perforated mesh lamp shield with white acrylic overlay.

Specifications (continued)

Finish: Chassis exterior – Soft white post painted polyester powder. Cavity – Soft white post painted polyester powder. Rust preventative undercoating. Reflector – Soft white post painted polyester powder.el.

Electrical: Thermally protected class "P" ballast C.B.M. approved, non PCB. If K.O. is within 3" of ballast, use wire suitable for at least 90°.

Labels: I.B.E.W./UL and ULc Listed.

This product may have a mercury containing lamp. Manage in accord with Disposal Laws. See: www.lamprecycle.org

Job Information Type:

For Factory Technical Information: (978) 657-7600 • Fax (978) 658-0595
631 Airport Road, Fall River, MA 02720 • (508) 679-8131 • Fax (508) 674-4710
We reserve the right to change details of design, materials and finish.
www.lightolier.com © 2008 a Philips Group

Section 5/Folio M15-94