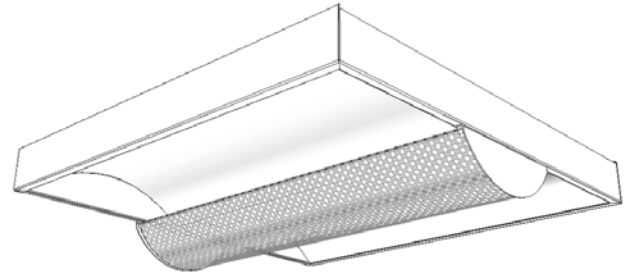
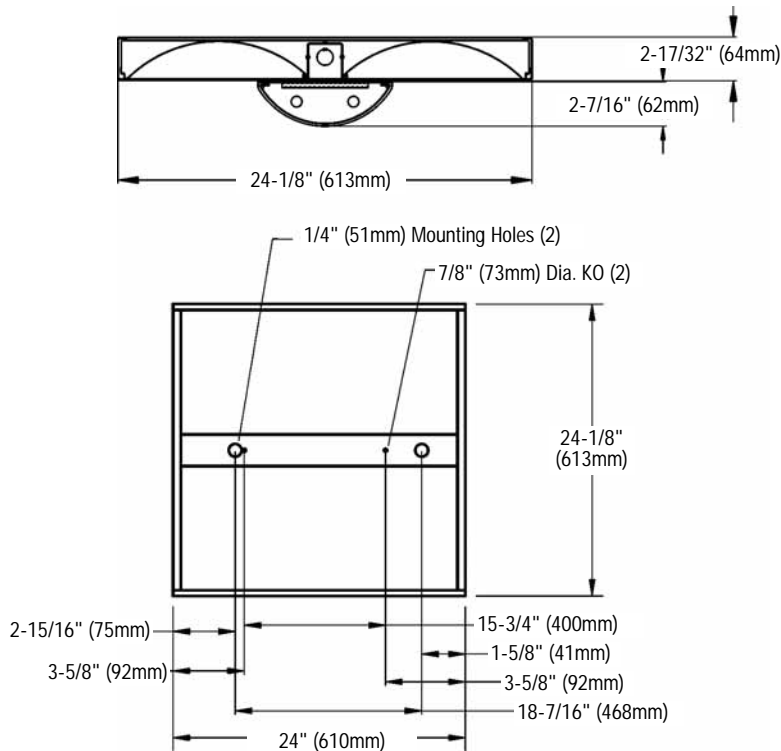


### Features

- Direct/indirect lamp shield appearance with soft contoured interior.
- Perforated mesh lamp shield with white acrylic overlay.
- 62.9% efficient (2 lamp T5).
- 62.6% efficient (2 lamp T5HO).
- Lamp shield hinges from either side.
- Optional DALI ballast iGEN TECHNOLOGY accepts digital dimming controllers, scene controllers and automatic control devices.
- Meets NYC Code requirements.
- Not for continuous row mounting.



### Dimensions



Job Information	Type:
<b>Job Name:</b>	
<b>Cat. No.:</b>	
<b>Lamp(s):</b>	
<b>Volts/Ballast:</b>	

For Factory Technical Information: (978) 657-7600 • Fax (978) 658-0595  
 631 Airport Road, Fall River, MA 02720 • (508) 679-8131 • Fax (508) 674-4710  
 We reserve the right to change details of design, materials and finish.  
[www.lightolier.com](http://www.lightolier.com) © 2008 a Philips Group

11/08

Section 5/Folio M15-96

### Model No. CDB2SPF214UNVPG

LER = FP - 54.2 IW - 33.2 BF - 1.06  
Comparative yearly lighting energy cost per 1000 lumens = \$4.43

Report Number: G2007134A  
Catalog Number: CDB2SPF214UNVPG  
Lamps: (2) F14T5  
Luminaire: Coffaire Drop Basket  
Ballast: INC-2S28  
Report is based on 1350 Lumens per lamp.  
Efficiency: 62.9%  
CIE Type-Direct-Indirect  
Plane: 0-Deg 90-Deg  
Spacing Criteria: 1.2 1.3  
Shielding Angles: 90 90  
Plane: 0-Deg 90-Deg  
Luminous Length: 23.040 23.040

#### CANDELA DISTRIBUTION

	0.0	45.0	90.0	FLUX
0	523	523	523	
5	520	520	521	49
15	494	500	507	141
25	447	464	483	214
35	383	416	448	260
45	306	359	405	276
55	220	298	359	263
65	136	239	305	228
75	71	178	241	176
85	18	91	134	90
90	2	32	62	

#### COEFFICIENTS OF UTILIZATION – ZONAL CAVITY METHOD. EFFECTIVE FLOOR CAVITY REFLECTANCE 0.20

RC	80	50	30	10	50	30	10
RW	70	50	30	10	50	30	10
1	67	63	60	59	57	55	55
2	60	55	50	51	47	44	49
3	55	47	42	44	40	36	43
4	50	42	36	39	34	31	38
5	46	37	31	35	30	26	34
6	42	33	27	32	27	23	31
7	39	30	24	29	24	20	28
8	36	28	22	26	21	18	25
9	34	25	20	24	19	16	23
10	32	23	18	22	18	15	22

#### ZONAL LUMEN SUMMARY

ZONE	LUMENS	% LAMP	% FIXT
0- 30	405	15.0	23.9
0- 40	666	24.7	39.2
0- 60	1205	44.6	70.9
0- 90	1698	62.9	100.0
90-180	0	0.0	0.0
0-180	1698	62.9	100.0

#### LUMINANCE DATA IN CANDELA/SQ. METER

AVERAGE IN DEG.	AVERAGE 0-DEG.	AVERAGE 45-DEG.	AVERAGE 90-DEG.
45	1139.	1336.	1507.
55	968.	1312.	1580.
65	761.	1337.	1706.
75	569.	1426.	1930.
85	268.	1354.	1994.

### Model No. CDB2SPF224UNVPG

LER = FP - 48.5 IW - 51.7 BF - 1.0  
Comparative yearly lighting energy cost per 1000 lumens = \$4.95

Report Number: G2007135A  
Catalog Number: CDB2SPF224UNVPG  
Lamps: (2) F24T5  
Luminaire: Coffaire Drop Basket  
Ballast: B224PUNV-C  
Report is based on 2000 Lumens per lamp.  
Efficiency: 62.6%  
CIE Type-Direct-Indirect  
Plane: 0-Deg 90-Deg  
Spacing Criteria: 1.2 1.3  
Shielding Angles: 90 90  
Plane: 0-Deg 90-Deg  
Luminous Length: 23.040 23.040

#### CANDELA DISTRIBUTION

	0.0	45.0	90.0	FLUX
0	777	777	777	
5	773	773	775	74
15	733	743	754	210
25	663	689	717	318
35	567	616	666	386
45	453	532	602	409
55	324	441	532	389
65	200	352	450	336
75	104	260	352	256
85	24	131	191	128
90	3	45	89	

#### COEFFICIENTS OF UTILIZATION – ZONAL CAVITY METHOD. EFFECTIVE FLOOR CAVITY REFLECTANCE 0.20

RC	80	50	30	10	50	30	10
RW	70	50	30	10	50	30	10
1	67	63	60	59	57	55	55
2	60	54	50	51	47	44	49
3	55	47	42	44	40	36	43
4	50	42	36	39	34	31	38
5	46	37	31	35	30	26	34
6	42	33	28	32	27	23	31
7	39	30	24	29	24	20	28
8	36	28	22	26	21	18	25
9	34	25	20	24	19	16	23
10	32	23	18	22	18	15	22

#### ZONAL LUMEN SUMMARY

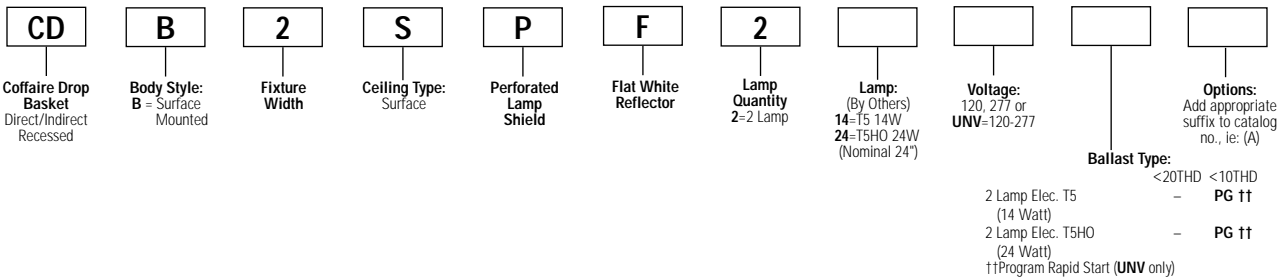
ZONE	LUMENS	% LAMP	% FIXT
0- 30	602	15.0	24.0
0- 40	988	24.7	39.4
0- 60	1785	44.6	71.3
0- 90	2505	62.6	100.0
90-180	0	0.0	0.0
0-180	2505	62.6	100.0

#### LUMINANCE DATA IN CANDELA/SQ. METER

AVERAGE IN DEG.	AVERAGE 0-DEG.	AVERAGE 45-DEG.	AVERAGE 90-DEG.
45	1686.	1980.	2240.
55	1426.	1941.	2342.
65	1119.	1969.	2517.
75	833.	2082.	2819.
85	357.	1950.	2843.

## Ordering Information

Explanation of Catalog Number. Example: CDB2SPF214UNVPG



## Options/Accessories

**Fusing:** Internal fast blow fusing: SUFFIX: **A**.  
Internal slow blow fusing: SUFFIX: **C**.

**Electrical Wiring Options:** Emergency Packs are only available for remote mounting. Consult factory.

**For motion or light sensor:** See Folio OA20-10.

## Specifications

**Performance:** In an installation of 2 lamp 14W luminaires in a room cavity ratio of 1, with reflectance 80% ceiling, 50% wall, 20% floor, the C.U. shall not be less than .63. To reduce glare the average brightness at 65° shall not exceed 1706 candelas per square meter. To control veiling reflections, luminaire output in the 30°-90° zone shall not be less than 76.1%.

**Materials:** Chassis parts are die-formed code gauge steel.

**Lamp Shield:** 22 gauge steel perforated mesh lamp shield with white acrylic overlay.

## Specifications (continued)

**Finish:** Chassis exterior – Soft white post painted polyester powder. Cavity – Soft white post painted polyester powder. Rust preventative undercoating. Reflector – Soft white post painted polyester powder.

**Electrical:** Thermally protected class "P" ballast C.B.M. approved, non PCB. If K.O. is within 3" of ballast, use wire suitable for at least 90°.

**Labels:** I.B.E.W./UL and ULc Listed.

This product may have a mercury containing lamp. Manage in accord with Disposal Laws. See: www.lamprecycle.org

## Job Information

## Type:

For Factory Technical Information: (978) 657-7600 • Fax (978) 658-0595  
631 Airport Road, Fall River, MA 02720 • (508) 679-8131 • Fax (508) 674-4710  
We reserve the right to change details of design, materials and finish.  
www.lightolier.com © 2008 a Philips Group

Section 5/Folio M15-96