

PA3A705EBL = (Flanged) Black/White
PA3A705EWL = (Flanged) White
PA3A705EBTL = (Trimless) Black
PA3A705EWTL = (Trimless) White
 Add a "1" for 120v or "2" for 277v at the end of the catalog number for voltage

Ceiling Cutout: 16 1/16" L x 6 3/16" W

Ordering Information: AR 70 Series A

Cat. No.	Lamp	Ceiling Trim	Aperture Finish
PA3A705EBL	(3) 50W AR 70	Overlap	Black with White Flange
PA3A705EWL	(3) 50W AR 70	Overlap	White with White Flange
PA3A705EBTL	(3) 50W AR 70	Trimless	Black
PA3A705EWTL	(3) 50W AR 70	Trimless	White

Features

- Aperture Frame:** Provides clean support for lamp holders and overlapping flange or trimless installation. Extruded aluminum. Rigidly welded together on all corners.
- Media Cartridge:** Allows convenient loading and removal of up to two accessories (including lamp cover glass; lamp cover glass may be replaced with solid glass accessory). Easily installed and removed for lamping with a simple twisting motion. Constructed of diecast aluminum.
- Cross Blade Louver:** Extruded aluminum. 1" deep, provides additional shielding and can be easily removed.
- Adjustable Ring:** Allows 360° horizontal and 35° (on width) and 45° (on length) vertical adjustment.
- Tortiontite Spring:** For easy installation of aperture frame.
- Housing:** Die formed 22 ga. steel. Finish: Black.
- Mounting Brackets:** Adjustable vertically from outside of housing.
- Thermal Protector:** Meets NEC, UL, and CSA requirements.
- Lampholder:** Double contact bayonet base with 250°C #18 gauge Teflon® leads.
- Junction Box:** 14 ga. steel, 4" x 3 1/2" x 2" box. Allows inspection from below.
- Lamp and Accessory Support:** .032" steel, flared for easy entry of Media Cartridge.
- Lens Retaining Ring:** .093" spring steel rod. Holds accessories in place.
- Lamp Guard:** Heat resistant clear glass. Lamp manufacturers requirement.
- Transformer Housing:** Die formed 18 ga. steel.

Electrical

Electronic Transformers: Offer reliable operation and are accessible from below for servicing. 12V Secondary.

Dimming Controls: Use only dimmers specifically designed for use with electronic transformers. Low Voltage fixtures may produce audible sound when used with dimmers, which may be objectionable in acoustically critical areas.

Electrical (continued)

UL/cUL listed for through branch circuit wiring with maximum of (8) no. 12 AWG, 90°C.

Finish

All painted finishes are powder coated baked enamel.

Options & Accessories

Accessories: 2 1/2" dia. series, filters, lenses, screens and louvers. (2) accessories maximum, including lamp cover glass. Lamp guard glass may be replaced with solid glass accessory.

Labels

UL/cUL (Suitable for Damp Location), I B E W

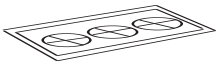
Teflon® is a registered trademark of E.I. DuPont.

US Patent Pending

Job Information	Type:
Job Name:	
Cat. No.:	
Lamp(s):	
Notes:	

Lightolier a Genlyte Company
 631 Airport Road, Fall River, MA 02720 • (508) 679-8131 • Fax (508) 674-4710
 We reserve the right to change details of design, materials and finish.
 © 2005 Genlyte Group LLC • B1105

LIGHTOLIER

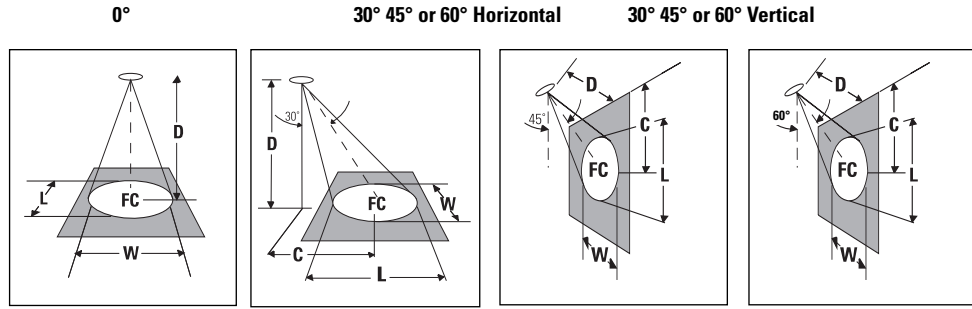


Lighting Performance Data

Aiming Angle:

- L** Beam length
- B** Beam width
- C** Distance to center of beam
- D** Distance
- A** Aiming angle
- FC** Foot candles

Lamp data shown is typical, and is based on bare lamp photometrics. Contact lamp manufacturers for availability and performance.



Lamps	Beam Spread (To 50% CBCP)	CBCP	Rated Life (Hrs.)	0° Aiming Angle				30° Aiming Angle					45° Aiming Angle					60° Aiming Angle				
				D	FC	L	W	D	C	FC	L	W	D	C	FC	L	W	D	C	FC	L	W
50W AR70 SP (T-H)	10°	15000	2000	8'	234	1.4'	1.4'	7'	4.0'	199	1.6'	1.4'	5'	5.0'	212	1.8'	1.2'	3'	5.2'	208	2.1'	1.0'
				12'	104	2.1'	2.1'	10'	5.8'	97	2.3'	2.0'	7'	7.0'	108	2.5'	1.7'	4'	6.9'	117	2.9'	1.4'
				16'	59	2.8'	2.8'	13'	7.5'	58	3.0'	2.6'	9'	9.0'	65	3.2'	2.2'	5'	8.7'	75	3.6'	1.7'
				20'	38	3.5'	3.5'	16'	9.2'	38	3.7'	3.2'	11'	11.0'	44	3.9'	2.7'	6'	10.4'	52	4.3'	2.1'
50W AR70 FL (T-H)	30°	2000	2000	4'	125	2.1'	2.1''	3'	1.7'	144	2.2'	1.9'	3'	3.0'	79	3.5'	2.3'	1'	1.7'	250	2.7'	1.1'
				6'	56	3.2'	3.2'	5'	2.9'	52	3.7'	3.1'	4'	4.0'	44	4.6'	3.0'	2'	3.5'	63	5.5'	2.1'
				8'	31	4.3'	4.3'	7'	4.0'	27	5.1'	4.3'	5'	5.0'	28	5.8'	3.8'	3'	5.2'	28	8.2'	3.2'
				10'	20	5.4'	5.4'	9'	5.2'	16	6.6'	5.6'	6'	6.0'	20	6.9'	4.5'	4'	6.9'	16	10.9'	4.3'
50W AR70 SP GOLD (T-H)	10°	13500	2000	8'	211	1.4'	1.4'	7'	4.0'	199	1.6'	1.4'	5'	5.0'	191	1.8'	1.2'	3'	5.2'	188	2.1'	1.0'
				12'	94	2.1'	2.1'	10'	5.8'	97	2.3'	2.0'	7'	7.0'	97	2.5'	1.7'	4'	6.9'	105	2.9'	1.4'
				16'	53	2.8'	2.8'	13'	7.5'	58	3.0'	2.6'	9'	9.0'	59	3.2'	2.2'	5'	8.7'	68	3.6'	1.7'
				20'	34	3.5'	3.5'	16'	9.2'	38	3.7'	3.2'	11'	11.0'	39	3.9'	2.7'	6'	10.4'	47	4.3'	2.1'
50W AR70 FL GOLD (T-H)	30°	1800	2000	4'	125	2.1'	2.1''	3'	1.7'	144	2.2'	1.9'	3'	3.0'	71	3.5'	2.3'	1'	1.7'	225	2.7'	1.1'
				6'	56	3.2'	3.2'	5'	2.9'	52	3.7'	3.1'	4'	4.0'	40	4.6'	3.0'	2'	3.5'	56	5.5'	2.1'
				8'	31	4.3'	4.3'	7'	4.0'	27	5.1'	4.3'	5'	5.0'	25	5.8'	3.8'	3'	5.2'	25	8.2'	3.2'
				10'	20	5.4'	5.4'	9'	5.2'	16	6.6'	5.6'	6'	6.0'	18	6.9'	4.5'	4'	6.9'	14	10.9'	4.3'
50W AR111 NSP (T-H)	5°	50000	2000	15'	222	1.3'	1.3'	10'	5.8'	325	1.2'	1.0'	8'	8.0'	276	1.4'	1.0'	5'	8.7'	250	1.8'	0.9'
				20'	125	1.7'	1.7'	15'	8.7'	144	1.7'	1.5'	12'	12.0'	123	2.1'	1.5'	8'	13.9'	98	2.6'	1.4'
				25'	80	2.2'	2.2'	20'	11.5'	81	2.3'	2.0'	16'	16.0'	69	2.8'	2.0'	11'	19.1'	52	3.9'	1.9'
				30'	56	2.6'	2.6'	25'	14.4'	52	2.9'	2.5'	20'	20.0'	44	3.5'	2.5'	14'	24.2'	32	4.9'	2.4'
50W AR111 FL (T-H)	30°	3000	2000	6'	83	3.2'	3.2'	5'	2.9'	78	3.7'	3.1'	3'	3.0'	118	3.5'	2.3'	2'	3.5'	94	5.5'	2.1'
				8'	47	4.3'	4.3'	7'	4.0'	40	5.1'	4.3'	5'	5.0'	42	5.8'	3.6'	3'	5.2'	42	8.2'	3.2'
				10'	30	5.4'	5.4'	9'	5.2'	24	6.6'	5.6'	7'	7.0'	22	8.1'	5.3'	4'	6.9'	23	10.9'	4.3'
				12'	21	6.4'	6.4'	11'	6.4'	16	8.1'	6.6'	9'	9.0'	13	10.4'	6.8'	5'	8.7'	15	13.7'	5.4'

Data are based on bare lamp photometrics.
Dashed lines in beam spreads indicate narrow axes of oval shaped beams.

FC is initial footcandles at center of beam.

L and **W** are to the point that the candlepower drops 50% of maximum.

Job Information

Type:

Lightolier a Genlyte Company

www.lightolier.com

631 Airport Road, Fall River, MA 02720 • (508) 679-8131 • Fax (508) 674-4710

We reserve the right to change details of design, materials and finish.

© 2005 Genlyte Group LLC • B1105

LIGHTOLIER