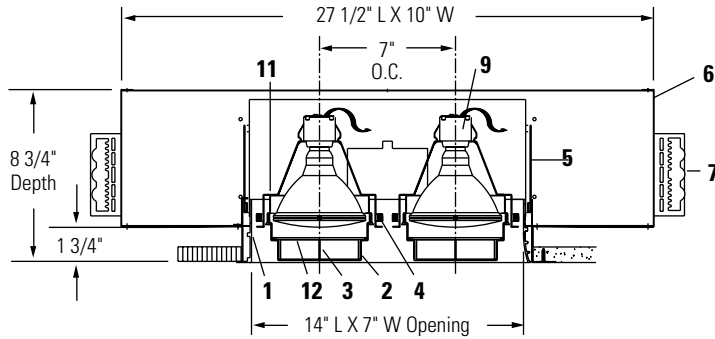
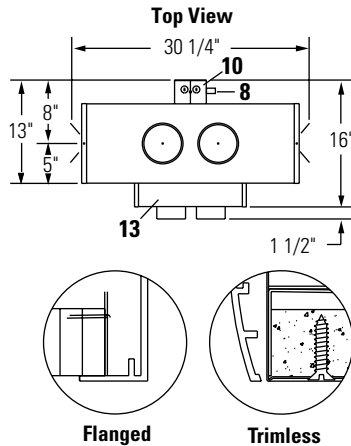




Calculite® ProSpec® Linear Downlight PA2H3870



PA2H3870BL = (Flanged) Black/White
 PA2H3870WL = (Flanged) White

PA2H3870BTL = (Trimless) Black
 PA2H3870WTL = (Trimless) White

Ceiling Cutout: 15 1/16" L x 8 3/16" W

Ordering Information: PAR38 Series A

Cat. No.	Lamp	Ceiling Trim	Aperture Finish
PA2H3870BL	(2) 70W PAR38 MH	Overlap	Black with White Flange
PA2H3870WL	(2) 70W PAR38 MH	Overlap	White with White Flange
PA2H3870BTL	(2) 70W PAR38 MH	Trimless	Black
PA2H3870WTL	(2) 70W PAR38 MH	Trimless	White

Features

- Aperture Frame:** Provides clean support for lamp holders and overlapping flange or trimless installation. Extruded aluminum. Rigidly welded together on all corners.
- Media Cartridge:** Allows convenient loading and removal of up to two accessories (including lamp cover glass; lamp cover glass may be replaced with solid glass accessory). Easily installed and removed for lamping with a simple twisting motion. Constructed of diecast aluminum.
- Cross Blade Louver:** Extruded aluminum. 1" deep, provides additional shielding and can be easily removed.
- Adjustable Ring:** Allows 360° horizontal and 40° (on width) and 45° (on diagonal) vertical adjustment.
- Tortiontite Spring:** For easy installation of aperture frame.
- Housing:** Die-formed 22 ga. steel. Finish: Black.
- Mounting Brackets:** Adjustable vertically from outside of housing.
- Thermal Protector:** Meets NEC, UL, and CSA requirements.
- Lampholder:** Porcelain medium based; nickel plated screw shell. 5KV pulse rated, rewired with #18 SF-1 leads to ballast housing.
- Junction Box:** 14 ga. steel, 4" x 3 1/2" x 2" box. Allows inspection from below.
- Lamp and Accessory Support:** .032" steel, flared for easy entry of Media Cartridge.
- Lens Retaining Ring:** .093" spring steel rod. Holds accessories in place.
- Ballast Housing:** Die-formed 18 ga. steel.

Electrical

Electronic Ballast: Individual for each lamp. High Power Factor. Input watts: 78; line current: .67 amps. Accessible from below.

UL listed for through branch circuit wiring with maximum of (8) no. 2 AWG 90° C.

Finish

All painted finishes are powder coated baked enamel.

Options & Accessories

Accessories: 4 3/4" dia. Series filters, lenses, screens and louvers. (2) accessories maximum, including lamp cover glass. Lamp guard glass may be replaced with solid glass accessory.

Labels

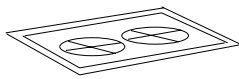
UL/cUL (Suitable for Damp Location), I.B.E.W.

US Patent Pending.

Job Information	Type:
Job Name:	
Cat. No.:	
Lamp(s):	
Notes:	

Lightolier a Genlyte Thomas Company
 631 Airport Road, Fall River, MA 02720 • (508) 679-8131 • Fax (508) 674-4710
 We reserve the right to change details of design, materials and finish.
 © 2002 Genlyte Thomas Group LLC (Lightolier Division) • A0902

LIGHTOLIER®

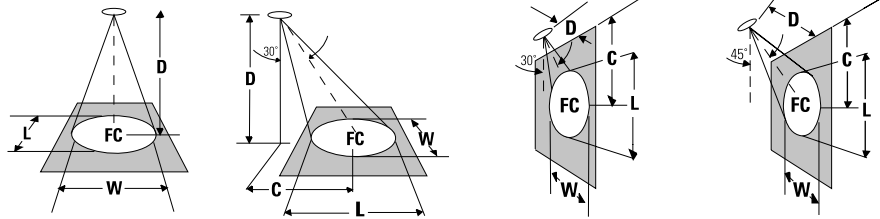


Lighting Performance data

- L** Beam length
- W** Beam width
- C** Distance to the center of the beam.
- D** Distance
- A** Aiming angle
- FC** Footcandles

L and **W** are the outer points where the candle power drops to 50% of the maximum. **FC** are the initial footcandles at the center of the beam.

Lamp data shown is typical, and is based on bare lamp photometrics. Contact lamp manufacturers for availability and performance.



Lamps	Beam Spread (to 50% CBCP)	CBCP	Rated Life (Hrs.)	0° Aiming Angle				30° Aiming Angle					30° Aiming Angle					45° Aiming Angle				
				D	FC	L	W	D	C	FC	L	W	D	C	FC	L	W	D	C	FC	L	W
70W PAR38 (MC/MH) SP	15°	50000	7500	15'	222	3.9'	3.9'	10'	5.8'	325	3.5'	3.0'	5'	8.7'	250	5.6'	2.6'	8	8.0	276	4.3	3.0
				20'	125	5.3'	5.3'	15'	8.7'	144	5.3'	4.6'	8'	13.9'	98	8.9'	4.2'	12	12.0	123	6.4	4.5
				25'	80	6.6'	6.6'	20'	11.5'	81	7.1'	6.1'	11'	19.1'	52	12.2'	5.8'	16	16.0	69	8.6	6.0
				30'	56	7.9'	7.9'	25'	14.4'	52	8.8'	7.6'	14'	24.2'	32	15.6'	7.4'	20	20.0	44	10.7	7.4
70W PAR38 (MC/MH) FL	26°	18000	7500	8'	281	3.5'	3.5'	7'	4.0'	239	4.2'	3.6'	3'	5.2'	250	6.2'	2.7'	5	5.0	255	4.7	3.1
				12'	125	5.3'	5.3'	10'	5.8'	117	6.0'	5.1'	4'	6.9'	141	8.3'	3.5'	7	7.0	130	6.5	4.4
				16'	70	7.1'	7.1'	13'	7.5'	69	7.8'	6.7'	5'	8.7'	90	10.4'	4.4'	9	9.0	79	8.4	5.6
				20'	45	8.9'	8.9'	16'	9.2'	46	9.6'	8.2'	6'	10.4'	63	12.5'	5.3'	11	11.0	53	10.3	6.9'
70W PAR38 (MC/MH) WFL	60°	5000	7500	6'	139	6.9'	6.9'	5'	2.9'	130	8.7'	6.7'	2'	3.5'	156	*	4.6'	3	3.0	196	10.4	4.9
				8'	78	9.2'	9.2'	7'	4.0'	66	12.1'	9.3'	3'	5.2'	69	*	6.9'	5	5.0	71	17.3	8.2
				10'	50	11.5'	11.5'	9'	5.2'	40	15.6'	12.0'	4'	6.9'	39	*	9.2'	7	7.0	36	24.2	11.4
				12'	35	13.9'	13.9'	11'	6.4'	27	19.1'	14.7'	5'	8.7'	25	*	11.5'	9	9.0	22	31.2	14.7

Data are based on bare lamp photometrics. Dashed lines in beam spreads indicate narrow axes of oval shaped beams.

FC is initial footcandles at center of beam.

L and **W** are to the point that the candlepower drops 50% of maximum.

Job Information

Type:

Lightolier a Genlyte Thomas Company www.lightolier.com
 631 Airport Road, Fall River, MA 02720 • (508) 679-8131 • Fax (508) 674-4710
 We reserve the right to change details of design, materials and finish.
 © 2002 Genlyte Thomas Group LLC (Lightolier Division) • A0902

LIGHTOLIER®