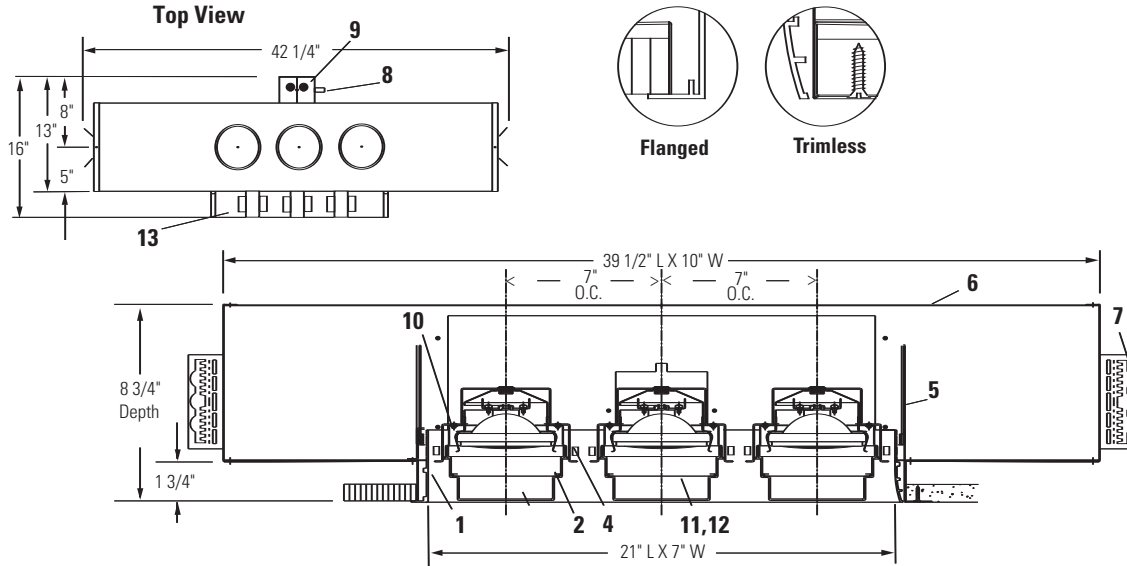


# Calculite® ProSpec® Linear Downlight PA3A1175



**PA3A117EBL** = (Flanged) Black/White      **PA3A117EBTL** = (Trimless) Black  
**PA3A117EWL** = (Flanged) White          **PA3A117EWTL** = (Trimless) White  
 Add a "1" for 120v or "2" for 277v at the end of the catalog number for voltage

**Ceiling Cutout: 22 1/16" L x 8 3/16" W**

**Ordering Information: AR 111 Series A**

Cat. No.	Lamp	Ceiling Trim	Aperture Finish
PA3A117EBL	(3) 75W AR 111	Overlap	Black with White Flange
PA3A117EWL	(3) 75W AR 111	Overlap	White with White Flange
PA3A117EBTL	(3) 75W AR 111	Trimless	Black
PA3A117EWTL	(3) 75W AR 111	Trimless	White

**Features**

- Aperture Frame:** Provides clean support for lamp holders and overlapping flange or trimless installation. Extruded aluminum. Rigidly welded together on all corners.
- Media Cartridge:** Allows convenient loading and removal of up to two accessories (including lamp cover glass; lamp cover glass may be replaced with solid glass accessory). Easily installed and removed for lamping with a simple twisting motion. Constructed of diecast aluminum.
- Cross Blade Louver:** Extruded aluminum. 1" deep, provides additional shielding and can be easily removed.
- Adjustable Ring:** Allows 360° horizontal and 30° (on width) and 40° (on length) vertical adjustment.
- Tortiontite Spring:** For easy installation of aperture frame.
- Housing:** Die formed 22 ga. steel. Finish: Black.
- Mounting Brackets:** Adjustable vertically from outside of housing.
- Thermal Protector:** Meets NEC, UL, and CSA requirements.
- Junction Box:** 14 ga. steel, 4" x 3 1/2" x 2" box. Allows inspection from below.
- Lamp and Accessory Support:** .032" steel, flared for easy entry of Media Cartridge.
- Lens Retaining Ring:** .093" spring steel rod. Holds accessories in place.
- Lamp Guard:** Heat resistant clear glass. Lamp manufacturers requirement.
- Transformer Housing:** Die formed 18 ga. steel.

**Electrical**

**Electronic Transformers:** Offer reliable operation and are accessible from below for servicing. 12V Secondary.

**Dimming Controls:** Use only dimmers specifically designed for use with electronic transformers. Low Voltage fixtures may produce audible sound when used with dimmers, which may be objectionable in acoustically critical areas.

**Electrical (continued)**

UL/cUL listed for through branch circuit wiring with maximum of (8) no. 2 AWG 90°C.

**Finish**

All painted finishes are powder coated baked enamel.

**Options & Accessories**

**Accessories:** 4 3/4" dia. series, filters, lenses, screens and louvers. (2) accessories maximum, including lamp cover glass. Lamp guard glass may be replaced with solid glass accessory.

**Labels**

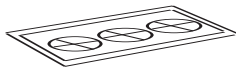
UL/cUL (Suitable for Damp Location), I B E W

**US Patent Pending**

Job Information	Type:
<b>Job Name:</b>	
<b>Cat. No.:</b>	
<b>Lamp(s):</b>	
<b>Notes:</b>	

**Lightolier** a Genlyte Company      www.lightolier.com  
 631 Airport Road, Fall River, MA 02720 • (508) 679-8131 • Fax (508) 674-4710  
 We reserve the right to change details of design, materials and finish.  
 © 2005 Genlyte Group LLC • B1105

**LIGHTOLIER®**

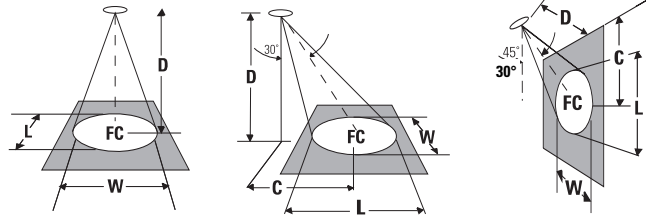


# Calculite® ProSpec® Linear Downlight **PA3A1175**

(FC) is initial footcandles at center of beam. Beam length (L) and beam width (W) are to where the candlepower is reduced to 50% of the center beam candlepower.

CBCP is center beam candlepower. (C) is distance to the center of the beam.

Lamp data shown is typical, and is based on bare lamp photometrics. Contact lamp manufacturers for availability and performance.



Lamps	Beam Spread (To 50% CBCP)	CBCP	Rated Life (Hrs.)	0° Aiming Angle				30° Aiming Angle				30° Aiming Angle					
				D	FC	L	W	D	C	FC	L	W	D	C	FC	L	W
<b>MR16 Low Voltage Halogen Bi-Pin Lamps</b>																	
 75W AR111 SP	 10°	25000	2000	10'	250	1.7'	1.7'	8'	4.6'	254	1.9'	1.6'	4'	6.9'	195	2.9'	1.4'
				15'	111	2.6'	2.6'	12'	6.9'	113	2.8'	2.4'	6'	10.4'	87	4.3'	2.1'
				20'	63	3.5'	3.5'	16'	9.2'	63	3.7'	3.2'	8'	13.9'	49	5.7'	2.8'
				25'	40	4.4'	4.4'	20'	11.5'	41	4.7'	4.0'	10'	17.3'	31	7.2'	3.5'
 75W AR111 FL	 30°	4500	2000	6'	125	3.2'	3.2'	5'	2.9'	117	3.7'	3.1'	2'	3.5'	141	5.5'	2.1'
				8'	70	4.3'	4.3'	7'	4.0'	60	5.1'	4.3'	3'	5.2'	63	8.2'	3.2'
				10'	45	5.4'	5.4'	9'	5.2'	36	6.6'	5.6'	4'	6.9'	35	10.9'	4.3'
				12'	31	6.4'	6.4'	11'	6.4'	24	8.1'	6.8'	5'	8.7'	23	13.7'	5.4'
 75W AR111 WFL	 60°	1300	2000	3'	144	3.5'	3.5'	3'	1.7'	94	5.2'	4.0'	1'	1.7'	163	*	2.3'
				5'	52	5.8'	5.8'	5'	2.9'	34	8.7'	6.7'	2'	3.5'	41	*	4.6'
				7'	27	8.1'	8.1'	7'	4.0'	17	12.1'	9.3'	3'	5.2'	18	*	6.9'
				9'	16	10.4'	10.4'	9'	5.2'	10	15.6'	12.0'	4'	6.9'	10	*	9.2'

**Job Information** **Type:**

Lightolier a Genlyte Company [www.lightolier.com](http://www.lightolier.com)  
 631 Airport Road, Fall River, MA 02720 • (508) 679-8131 • Fax (508) 674-4710  
 We reserve the right to change details of design, materials and finish.  
 © 2005 Genlyte Group LLC • B1105

**LIGHTOLIER®**