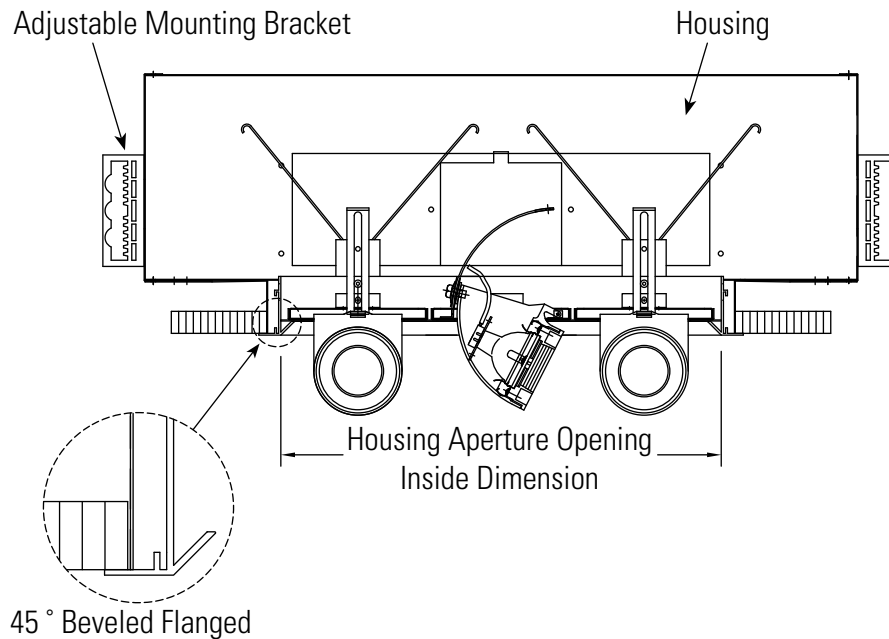


READ AND UNDERSTAND THESE INSTRUCTIONS BEFORE PROCEEDING.  
RETAIN THESE INSTRUCTIONS FOR MAINTENANCE REFERENCE.

This fixture is intended for installation in accordance with the National Electrical Code and local regulations. To assure full compliance with local codes and regulations, check with your local electrical inspector before installation. To prevent electrical shock, turn off electricity at electrical panel before proceeding.

DO NOT INSTALL THIS SYSTEM IN A WET LOCATION.  
CONTRACTOR IS RESPONSIBLE FOR ADEQUATELY REINFORCING CEILING TO SUPPORT FIXTURE WEIGHT.



**Warning for All Fixtures**

Use only aperture frames and accessories provided by Lightolier Inc. Use of other manufacturers' aperture frames and accessories voids the Underwriters Laboratories Listing and could constitute a fire hazard.

**Caution: Risk of Fire**

Use proper lamp wattages with corresponding ballast wattages. Check ballast module wattage label to confirm wattage.

**Caution: Risk of Burn**

Allow time for luminaire to cool before attempting to relamp or position.

**Caution: Risk of Burn and Electrical Shock**

Turn off power to Ballast Module before servicing. All PowerArc Modular Ballasts are equipped with a power switch. Depressing Dot on Switch is the "ON" position. (See IS:83B)

**Note:**

1. Low voltage fixtures may produce audible sound when used with dimmers, which maybe objectionable in acoustically critical areas.
2. For HID Fixtures - HID lamps require a warm-up period of 5-10 minutes to reach full output. Additionally, when these lamps are extinguished they must cool for 5-15 minutes before they will relight. Outage can be caused by momentary power failure, substantial voltage reduction or cycle changes.

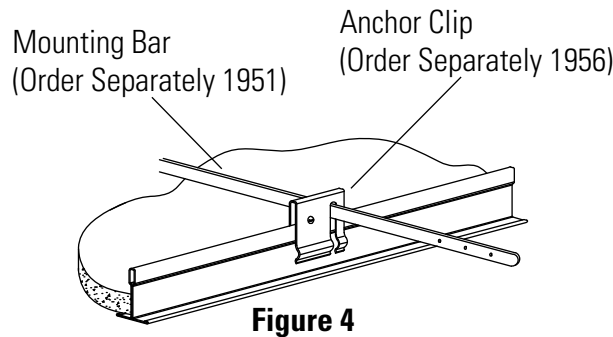
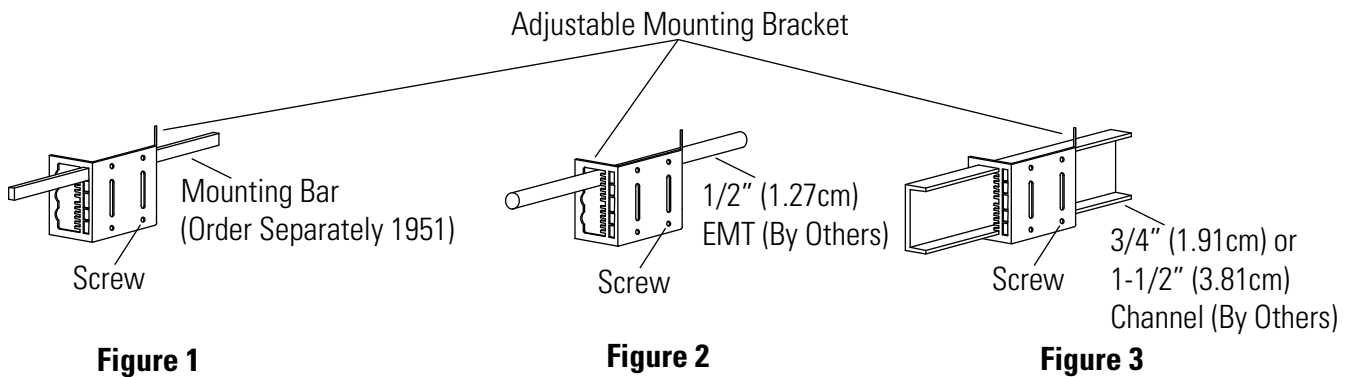
**Warning for MR16 Fixtures Only**

Lamp manufacturers require the glass lamp guard be in place before energizing lamp, and that great care must be taken that lamp is fully cooled before relamping. Avoid finger marks on inside of lamp for they may cause short lamp life and possible breakage.

**FRAME-IN AND WIRE**

**Step 1. Install Housing using Adjustable Mounting Brackets**

- A. Fixture must be secured to structural ceiling members. If no ceiling access available, fixtures must be installed before ceiling material.
- B. With Mounting Bar (Lightolier Cat. No. 1951) use rectangular slots. (Fig. 1)
- C. With 1/2" (1.27cm) EMT (by others). (Fig. 2)
- D. With 3/4" (1.91cm) or 1-1/2" (3.81cm) Channel (by others). (Fig. 3)
- E. For Suspended T-Bar Ceilings, use Lightolier Cat. No. 1956 to secure 1951 Mounting Bars to ceiling runners. (Fig. 4)
- F. To install with hanging wires (by others), consult installation from hanging wire manufacturer.



**Step 2. Connect Supply Leads**

White fixture lead to neutral (white) supply, black fixture lead to hot supply lead, bare fixture wire to supply ground. Use wire nuts for all connections (local hardware items).

**Step 3.**

Place all electrical connections in J-Box attached to side of fixture.

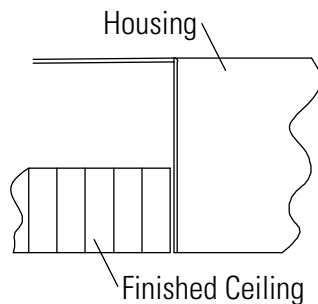
**Step 4.**

Attach J-Box Cover onto J-Box attached to side of fixture.

## ADJUST HOUSING

### Flanged Aperture Frame

Adjust Housing at Mounting Brackets so that bottom edge is flush with finished ceiling as shown. (Fig. 5)



**Figure 5**

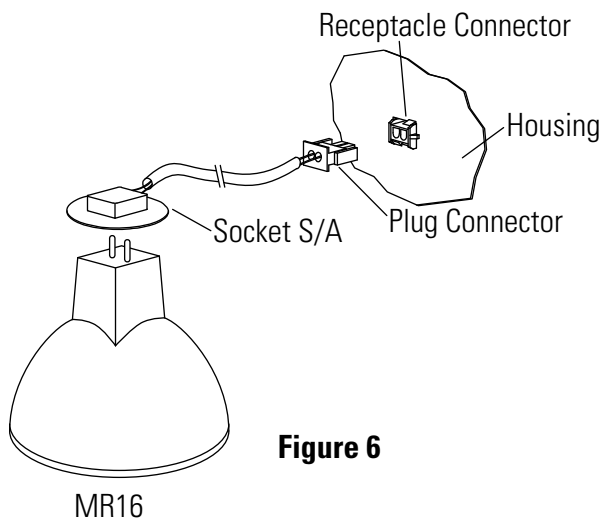
## INSTALL APERTURE FRAME

### Step 1. Aperture Frame Installation

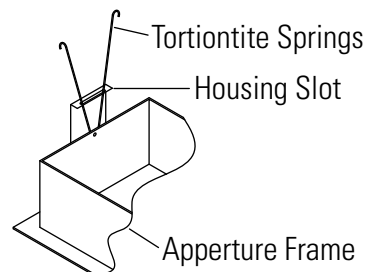
- A. MR16
  - a. Insert Plug Connectors from sockets into receptacles on inside wall of housing.
  - b. Connectors are polarized and therefore may only be inserted in one direction.
  - c. Make sure connectors snap firmly into space. (Fig. 6)

### Step 2.

- A. Hook tortiontite Springs into slots of housing.
- B. Push Aperture Frame upward. (Fig. 7)



**Figure 6**



**Figure 7**

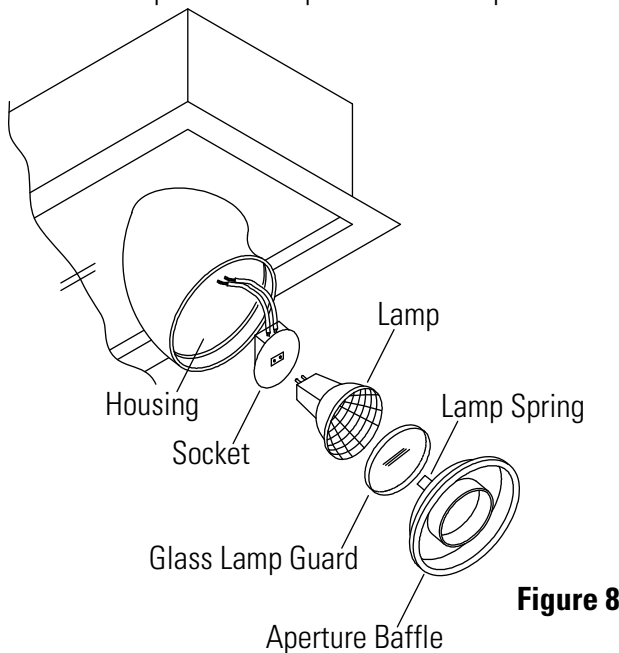
## INSTALL LAMP AND ACCESSORIES

### Step 1. Install Lamp (Fig. 8)

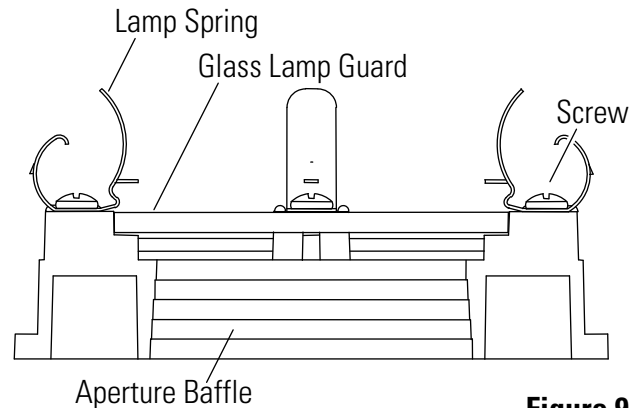
- A. Before relamping make sure that the power is off and the fixture cooled off sufficiently to touch.
- B. Remove Aperture Baffle from fixture by pulling straight out of Housing
- C. Connect Lamp to Socket by inserting pins on Lamp into holes in Socket inside Housing.  
*(Note: Care should be taken not to touch the inside of lamp. No polarity of pins is required.)*
- D. Lamp wattage 75W maximum. Lamp will center itself with three (3) Lamp Springs. A Glass Lamp Guard must always be used in this fixture.
- E. Replace Aperture Baffle by pushing it into the housing.

### Step 2. Install Accessories

- A. To Install lens accessory that ordered separately, remove at least one (1) Lamp Spring and Screw and loosen the other two (2). Remove Glass Lamp Guard and replace with lens accessory. Replace Lamp Spring and tighten screws. (Fig. 9) Color filters can be used as a Lamp Guard.
- B. To Install hex cell louver that ordered separately, remove Glass Lamp Guard, place Louver flat against Aperture Baffle top surface. Replace Glass Lamp Guard. Color filters can be used in place of Glass Lamp Guard.



**Figure 8**



**Figure 9**

Cat. No.	Aperture Housing Opening		Electrical Ratings
	Length	Width	Input Amps
PE1M16	5" (12.70cm)	5" (12.70cm)	.75
PE2M16	10" (25.40cm)	5" (12.70cm)	1.5
PE3M16	15" (38.10cm)	5" (12.70cm)	2.25
PE4M16	20" (50.80cm)	5" (12.70cm)	3

**CAUTION:** Turn power off before lamping fixture. Wait until fixture is cool before touching.

631 Airport Road, Fall River, MA 02720 • (508) 679-8131 • Fax (508) 674-4710  
 We reserve the right to change details of design, materials and finish.  
 www.lightolier.com © 2008 Philips Group • B0608