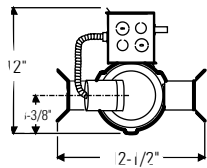
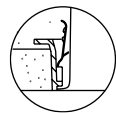
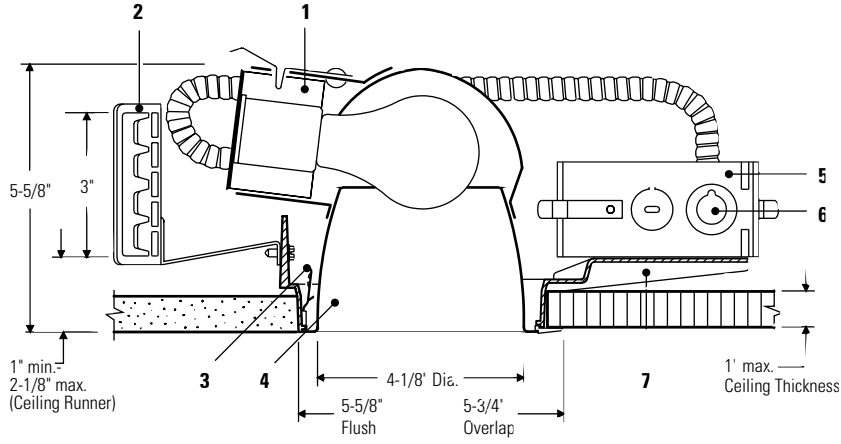




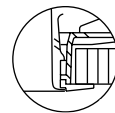
# Calculite® Incandescent Open Downlight **G7057**



Top View



Flush Trim  
(Molded trim ring removed)



Molded  
Trim Ring



Overlap Self-Flange  
Matte White or Polished

Ceiling Cutout: 5 1/16" Dia.

Reflector Trims	Frame-In Kit	Lamp
<b>G7057CLW</b> Specular Clear finish with white flange	<b>G410</b>	A19, 100W max.
<b>G7057CLP</b> Specular Clear finish with polished flange		
<b>G7057CL</b> Specular Clear finish with molded trim ring (flangeless)		
<b>G7057</b> <input type="checkbox"/> Add suffix for other finishes (see options)	<b>Remodeler</b>	<b>Lamp</b>
	<b>G410RM</b>	Same as G410

### Features

- 1. Socket Cup:** Heat-dissipating die-formed aluminum contains medium base porcelain socket with nickel plated screw shell wired with No. 18 SF1 leads to J-Box. Installs on reflector with positive position locking springs to assure proper optical alignment of lamp to reflector—attached without tools.
- 2. Mounting Brackets:** Adjust vertically from inside of fixture. Durable 16 ga. steel construction. Use with standard 3/4" or 1 1/2" lathing channels (by others), or Lightolier accessory mounting bars.
- 3. Retaining Springs:** Precision-tooled springs secure reflector to mounting frame for quick tool-less installation.
- 4. Reflector:** 16 ga. Specular Alzak® aluminum, 50° visual cut-off to lamp and lamp image. Available with white or polished flange, or with removable white molded trim ring (field paintable).
- 5. Junction Box:** 14 ga. steel, 4" x 4" x 2" box allows inspection from below.
- 6. Thermal Protector:** Meets NEC and UL requirements. Insulation must be kept 3" away from fixture sides and wiring compartments and must not be placed above fixture in a manner which will entrap heat.
- 7. Mounting Frame:** Die-cast aluminum suitable for dry or plaster ceilings. Provides flangeless trim in plaster ceiling.

### Other Reflector Finish Options

- Comfort Clear Diffuse **CCD**
- Specular Gold **GD**
- White **WH**

### Flange Options

- White **W**
- Polished Flange **P**
- Flangeless Leave Blank (molded trim ring)

### Options & Accessories

- 18" Mounting Bars** **1950** (set of 2)
- 27" Mounting Bars** **1951** (set of 2)
- T-Bar Anchor Clips** **1956** (set of 4, for 1950 & 1951 bars)
- Existing Ceiling Clips** **7998** (set of 2)
- Sloped Ceiling Adapters** See SCA specification sheet
- Step Down Transformer** **7997** (see separate specification sheet)
- Chicago Air Plenum** **LC** (add suffix to Frame-in Kit, requires access from above ceiling)

### Electrical

UL Listed for maximum of 8 No. 12, 75°C through branch circuit supply conductors, or 60°C conductors for end of run.

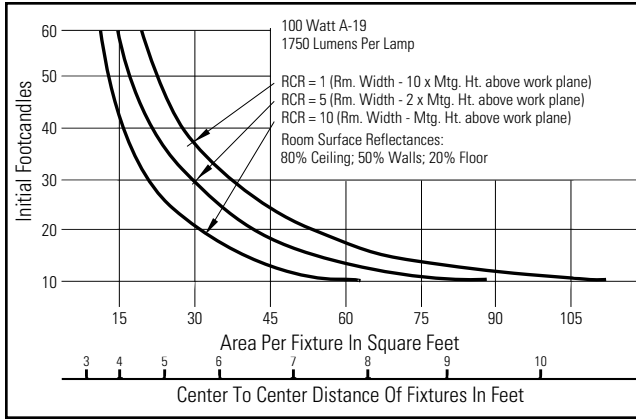
### Labels

UL Listed for damp locations, I.B.E.W.

Alzak® is a registered trademark of ALCOA.

Job Information	Type:
<b>Job Name:</b>	
<b>Cat. No.:</b>	
<b>Lamp(s):</b>	
<b>Notes:</b>	

**LIGHTOLIER®**



Use quick calculator chart to determine spacing of luminaires for desired level of illumination.  
Conversion Factor: 100W A19 (gold): F.C. x 0.90

**Spacing Ratio= 1.1**

**ITL REPORT NO. 31338**  
**DATE 9-27-85**

**Lamp: 100 Watt A19**  
**Efficiency: 58.5%**

Candlepower Summary		
DEG	CP	ZONAL FLUX
0	559	13
5	575	43
10	641	83
15	769	135
20	852	177
25	775	165
30	507	114
35	307	89
40	245	91
45	259	95
50	120	9
55	6	1
60	2	0
65	2	1
70	0	0
75	2	1
80	1	1
85	0	1

ZONAL SUMMARY			
ZONE	LUMENS	LAMP	FIXT
0-30	617	35.4	60.6
0-40	819	47.1	80.5
0-60	1014	58.3	99.6
0-90	1018	58.5	100.0
90-180	0	0.0	0.0
0-180	1018	58.5	100.0

**Total Luminaire Efficiency = 58.5 %**  
**CIE Type - Direct**  
**Luminous Diameter: 4.500**

**Coefficients of Utilization**  
% Effective Ceiling Cavity Reflectance

Room Cavity Ratio	% Effective Ceiling Cavity Reflectance															
	80			70			50			30			10			0
	50	30	10	50	30	10	50	30	10	50	30	10	50	30	10	0
1	.65	.63	.62	.64	.62	.61	.61	.60	.59	.59	.58	.58	.57	.56	.56	.55
2	.61	.59	.57	.60	.58	.56	.58	.56	.55	.56	.55	.54	.55	.54	.53	.52
3	.57	.54	.52	.56	.54	.52	.55	.53	.51	.53	.52	.50	.52	.51	.49	.48
4	.53	.50	.48	.53	.50	.48	.52	.49	.47	.50	.48	.47	.49	.48	.46	.45
5	.50	.47	.44	.50	.47	.44	.49	.46	.44	.48	.45	.43	.47	.45	.43	.42
6	.47	.44	.41	.47	.43	.41	.46	.43	.41	.45	.42	.41	.44	.42	.40	.39
7	.44	.40	.38	.43	.40	.38	.43	.40	.38	.42	.39	.38	.41	.39	.37	.36
8	.41	.37	.35	.41	.37	.35	.40	.37	.35	.39	.37	.35	.39	.36	.35	.34
9	.38	.35	.32	.38	.34	.32	.37	.34	.32	.37	.34	.32	.36	.34	.32	.31
10	.36	.32	.30	.35	.32	.30	.35	.32	.30	.34	.31	.30	.34	.31	.29	.29

20% Floor Cavity Reflectance  
Conversion Factor: For 100W A19 units with gold reflector, multiply C.U.'s by 0.9.

**Job Information** **Type:**

**Lightolier** a Genlyte Thomas Company www.lightolier.com  
631 Airport Road, Fall River, MA 02720 • (508) 679-8131 • Fax (508) 674-4710  
We reserve the right to change details of design, materials and finish.  
© 2002 Genlyte Thomas Group LLC (Lightolier Division) • A0902

**LIGHTOLIER®**