

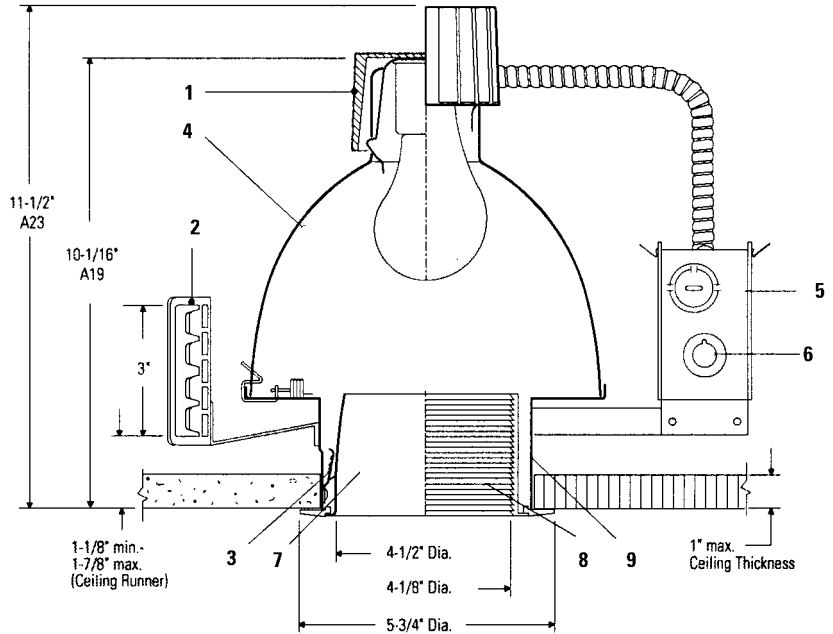
Flush Trim (Molded trim ring removed)



Molded Trim Ring



White or Polished Flange



Ceiling Cutout: 5 1/16" Dia.

Reflector Trims	Frame-In Kit	Lamp
782CLW Specular Clear finish with white flange	7782	A19 100W
782CLP Specular Clear finish with polished flange		MB19 100W
782CL Specular Clear finish with molded trim ring (flangeless)		A21 150W
782 <input type="checkbox"/> Add suffix for other finishes (see options)		A23 150W

Features

- Socket Cup:** Die-cast aluminum cup effectively dissipates heat and assures lamps maintain proper optical alignment to reflector. Snaps onto reflector neck for easy tool-less installation. Can be adjusted without tools from inside or outside of fixture to accommodate different lamp sizes. Contains medium base porcelain socket with nickel plated screw shell wired and No 18 SF1 leads to J-Box.
- Mounting Brackets:** Adjust vertically from inside of fixture. Durable 16 ga. steel construction. Use with standard 3/4" or 1 1/2" lathing channels (by others), or Lightolier accessory mounting bars.
- Retaining Springs:** Precision tooled springs secure aperture mounting frame for quick tool-less installation.
- Reflector:** Specular clear Alzak® upper reflector, retained by spring latches for inspection and maintenance, top relampable.
- Junction Box:** 14 ga. steel, 4" x 3 1/2" x 2" box.
- Thermal Protector:** Meets NEC and UL requirements. Insulation must be kept 3" away from fixture sides and wiring compartments and must not be placed above fixture in a manner which will entrap heat.
- Aperture Cone:** 16 ga. Specular Alzak® aluminum, or optical black multi-groove. Available with white or polished flange or with removable white molded trim ring (field paintable).
- Multi-Groove Baffle:** One piece seamless aluminum. Sharply detailed concentric rings with "sawtooth" profile, optical black finish.
- Mounting Collar:** Die-formed steel painted in baked black enamel.

Other Reflector Finish Options

Comfort Clear Diffuse	CCD	Specular Black	BK
Specular Gold	GD	Black Multi-Groove	MG
(MG is only available with molded trim ring.)			

Flange Options

White	W
Polished Flange	P
Flangeless	Leave Blank (molded trim ring)

Accessories and Options

18" Mounting Bars	1950 (set of 2)
27" Mounting Bars	1951 (set of 2)
T-Bar Anchor Clips	1956 (set of 4, for 1950 & 1951 bars)
Wood Joist Mtg. Bars	7994 (set of 2)
Sloped Ceiling Adapters	7920 (see SCA specification sheet)
Step Down Transformer	7997 (see separate specification sheet)
Chicago Air Plenum	LC (add suffix to Frame-in Kit)

Electrical

UL Listed for maximum of 8 No. 12, 75°C through branch circuit conductors, or 60°C supply conductors for end of run.

Labels

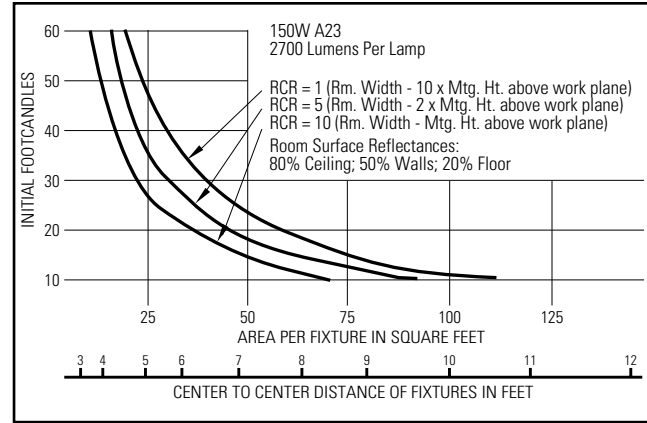
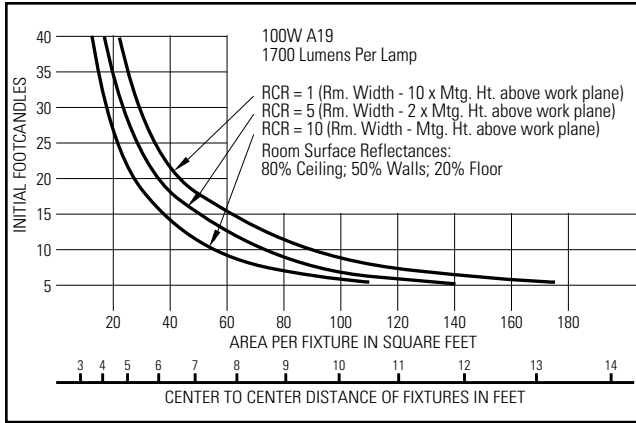
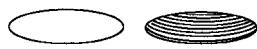
UL Listed for damp locations, I.B.E.W.

Alzak® is a registered trademark of ALCOA.

Job Information	Type:
Job Name:	
Cat. No.:	
Lamp(s):	
Notes:	

Lightolier a Genlyte Thomas Company www.lightolier.com
 631 Airport Road, Fall River, MA 02720 • (508) 679-8131 • Fax (508) 674-4710
 We reserve the right to change details of design, materials and finish.
 © 2002 Genlyte Thomas Group LLC (Lightolier Division) • A0902

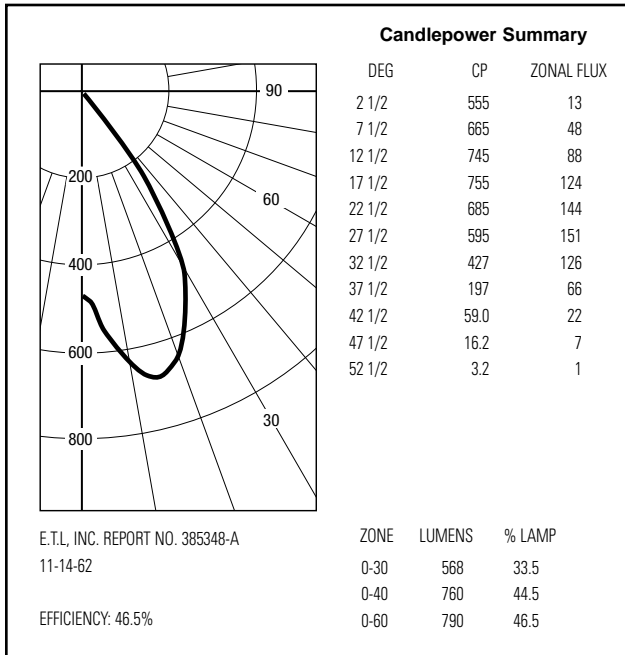
LIGHTOLIER®



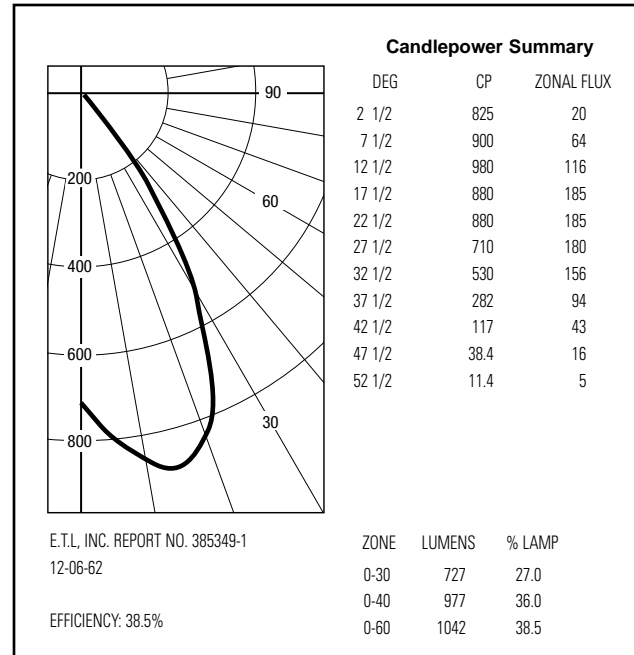
Use quick calculator chart to determine spacing of luminaires for desired level of illumination. Conversion Factors: 150W A21; F.C. X 1.3

Use quick calculator chart to determine spacing of luminaires for desired level of illumination.

SPACING RATIO = 1.3



SPACING RATIO = 1.2



COEFFICIENTS OF UTILIZATION

% EFFECTIVE CEILING CAVITY REFLECTANCE

ROOM CAVITY RATIO	% WALL REFLECTANCE																								
	80				70				50				30				10				0				
	50	30	10	0	50	30	10	0	50	30	10	0	50	30	10	0	50	30	10	0	50	30	10	0	
1	.52	.51	.50	.51	.50	.49	.49	.48	.48	.47	.47	.46	.46	.45	.45	.44	.44	.43	.43	.42	.42	.41	.41	.40	.40
2	.49	.47	.46	.48	.47	.45	.47	.46	.45	.45	.44	.44	.44	.44	.43	.43	.42	.42	.41	.41	.40	.40	.39	.39	.38
3	.47	.45	.43	.46	.44	.43	.45	.43	.42	.44	.42	.41	.43	.41	.41	.40	.40	.39	.39	.38	.38	.37	.37	.36	.36
4	.44	.42	.40	.44	.42	.40	.43	.41	.40	.42	.40	.39	.41	.39	.39	.38	.38	.37	.37	.36	.36	.35	.35	.34	.34
5	.42	.39	.38	.41	.39	.38	.40	.39	.37	.40	.38	.37	.39	.38	.37	.36	.36	.35	.35	.34	.34	.33	.33	.32	.32
6	.40	.37	.36	.39	.37	.35	.39	.37	.35	.38	.36	.35	.37	.36	.35	.34	.34	.33	.33	.32	.32	.31	.31	.30	.30
7	.38	.35	.33	.37	.35	.33	.37	.35	.33	.36	.34	.33	.36	.34	.33	.32	.32	.31	.31	.30	.30	.29	.29	.28	.28
8	.35	.33	.31	.35	.33	.31	.35	.33	.31	.34	.32	.31	.34	.32	.31	.30	.30	.29	.29	.28	.28	.27	.27	.26	.26
9	.34	.31	.29	.33	.31	.29	.33	.31	.29	.32	.31	.29	.32	.30	.29	.28	.28	.27	.27	.26	.26	.25	.25	.24	.24
10	.32	.29	.28	.32	.29	.28	.31	.29	.28	.31	.29	.28	.31	.29	.27	.27	.26	.26	.25	.25	.24	.24	.23	.23	.22

20% FLOOR CAVITY REFLECTANCE

Conversion Factor: For 150W A21 units, multiply C.U.'s by 0.9

COEFFICIENTS OF UTILIZATION

% EFFECTIVE CEILING CAVITY REFLECTANCE

ROOM CAVITY RATIO	% WALL REFLECTANCE																								
	80				70				50				30				10				0				
	50	30	10	0	50	30	10	0	50	30	10	0	50	30	10	0	50	30	10	0	50	30	10	0	
1	.43	.42	.41	.42	.41	.40	.40	.40	.39	.39	.38	.38	.38	.37	.37	.36	.36	.36	.35	.35	.34	.34	.33	.33	.32
2	.40	.39	.38	.40	.38	.37	.38	.37	.37	.37	.37	.36	.36	.36	.35	.35	.34	.34	.33	.33	.33	.32	.32	.31	.31
3	.38	.36	.35	.38	.36	.35	.37	.35	.34	.36	.35	.34	.35	.34	.34	.33	.33	.32	.32	.32	.31	.31	.30	.30	.29
4	.36	.34	.33	.36	.34	.33	.35	.33	.32	.34	.33	.32	.33	.32	.32	.31	.31	.30	.30	.29	.29	.28	.28	.27	.27
5	.34	.32	.31	.34	.32	.30	.33	.31	.30	.32	.31	.30	.32	.31	.30	.29	.29	.28	.28	.27	.27	.26	.26	.25	.25
6	.32	.30	.29	.32	.30	.29	.31	.30	.29	.31	.30	.29	.30	.29	.28	.28	.27	.27	.26	.26	.25	.25	.24	.24	.23
7	.30	.28	.27	.30	.28	.27	.30	.28	.27	.29	.28	.27	.29	.28	.27	.26	.26	.25	.25	.24	.24	.23	.23	.22	.22
8	.29	.27	.25	.29	.27	.25	.28	.26	.25	.28	.26	.25	.28	.26	.25	.24	.24	.23	.23	.22	.22	.21	.21	.20	.20
9	.27	.25	.24	.27	.25	.24	.27	.25	.23	.26	.25	.23	.26	.25	.23	.22	.22	.21	.21	.20	.20	.19	.19	.18	.18
10	.26	.24	.22	.25	.23	.22	.25	.23	.22	.25	.23	.22	.25	.23	.22	.21	.21	.20	.20	.19	.19	.18	.17	.17	.16

20% FLOOR CAVITY REFLECTANCE

Job Information

Type:

Lightolier a Genlyte Thomas Company www.lightolier.com
631 Airport Road, Fall River, MA 02720 • (508) 679-8131 • Fax (508) 674-4710
We reserve the right to change details of design, materials and finish.
© 2002 Genlyte Thomas Group LLC (Lightolier Division) • A0902

LIGHTOLIER®