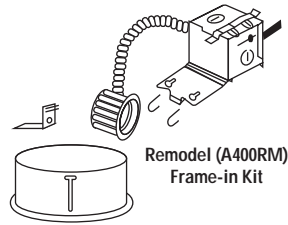




# Calculite® Incandescent Open Downlight **A7053**



Remodel (A400RM) Frame-in Kit



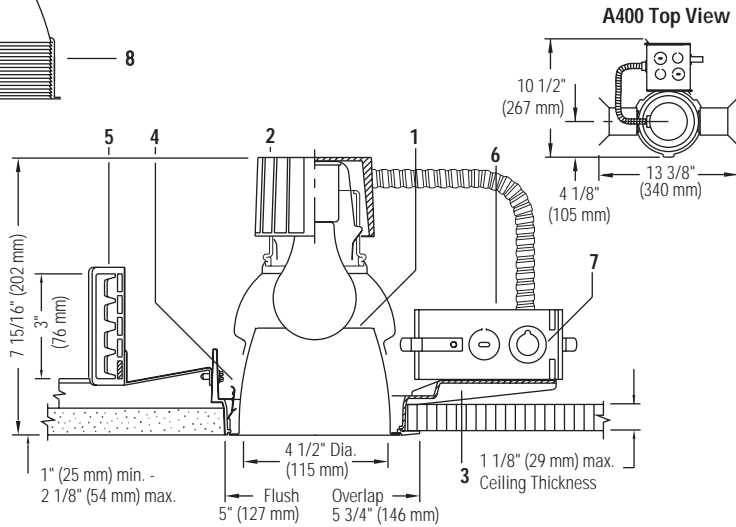
Flush Trim  
(Molded trim ring removed)



White Molded Trim Ring



White or Polished Flange



Ceiling Cutout: A400 5 1/16" (129 mm) Dia.  
Ceiling Cutout: A400RM 5" (127 mm) Dia.

Reflector Trim	Frame-In Kit	Lamp
A7053CLW Specular Clear finish with white flange	A400	A19, 100W max.
A7053CLP Specular Clear finish with polished flange	Remodeler Frame-In Kit	Lamp
A7053CL Specular Clear finish with molded trim ring (flangeless)	A400RM (for use in existing ceilings with 3/8" min. to 2" max. thickness.)	Same as A400
A7053 <input type="checkbox"/> Add suffix for other finishes (see options).		

## Features

- Reflector:** 16 ga. Specular Alzak® aluminum, 50° visual cutoff to lamp and lamp image. Available with white or polished flange, or with removable white molded trim ring (field paintable).
- Socket Cup:** Die-cast aluminum cup effectively dissipates heat and assures lamps maintain proper optical alignment to reflector. Snaps onto reflector neck for easy tool-less installation. Contains medium base porcelain socket with nickel plated screw shell wired and No. 18 SF-1 leads to J-Box.
- Mounting Frame:** Die-cast aluminum suitable for dry or plaster. Provides flush trim in plaster ceiling.
- Retaining Springs:** Precision-tooled steel friction springs secure reflector to mounting frame for quick, tool-less installation.
- Mounting Brackets:** 16 ga. steel. Adjust from inside of fixture. Use 3/4" or 1 1/2" lathing channel, or optional mounting bars.
- Junction Box:** 16 ga. Steel, 4" x 4" x 2" box allows inspection from below.
- Thermal Protector:** Meets NEC and UL requirements. Insulation must be kept 3" away from fixture sides and wiring compartments and must not be placed above fixture in a manner which will entrap heat.
- Multi-Groove Baffle (A7053MG):** One piece seamless Aluminum. Sharply detailed concentric rings with "sawtooth" profile, optical black finish. Permanently fastened to Specular Clear reflector.
- Black Cone (A7053BK):** Specular Black Alzak® aluminum. Permanently fastened to Specular Clear reflector.

## Other Reflector Finish Options

Comfort Clear Diffuse	CCD
Specular Gold	GD
White	WH
Specular Black	BK*
Multi-Groove Baffle	MG*

\*Flangeless w/molded trim ring.  
For additional finishes consult factory.

## Flange Options

White	W
Polished Flange	P
Flangeless	Leave Blank (molded trim ring)

## Accessories and Options

18" Mounting Bars	1950 (set of 2)
27" Mounting Bars	1951 (set of 2)
T-Bar Anchor Clips	1956 (set of 4, for 1950 & 1951 bars)
Existing Ceiling Clips	7998 (set of 2)
Sloped Ceiling Adapters	7920 (see SCA specification sheet)
Step Down Transformer	7997 (see 7997 specification sheet)
Chicago Air Plenum	LC (add suffix to Frame-in Kit)

## Electrical

A400 UL Listed for through branch circuit wiring with max. of (8) No. 12 AWG 90°C supply conductors. A400RM UL Listed for No. 12 AWG 60°C supply conductors.

## Labels

UL Listed for damp locations, I.B.E.W.

Alzak® is a registered trademark of ALCOA.

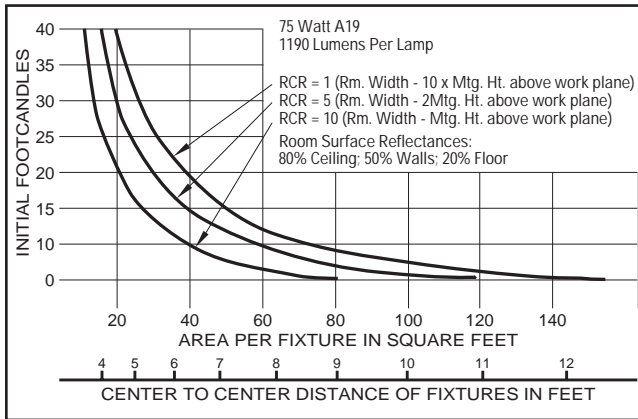
Job Information	Type:
Job Name:	
Cat. No.:	
Lamp(s):	
Notes:	

Lightolier a Genlyte Thomas Company www.lightolier.com  
631 Airport Road, Fall River, MA 02720 • (508) 679-8131 • Fax (508) 674-4710  
We reserve the right to change details of design, materials and finish.  
© 2002 Genlyte Thomas Group LLC (Lightolier Division) • B0204

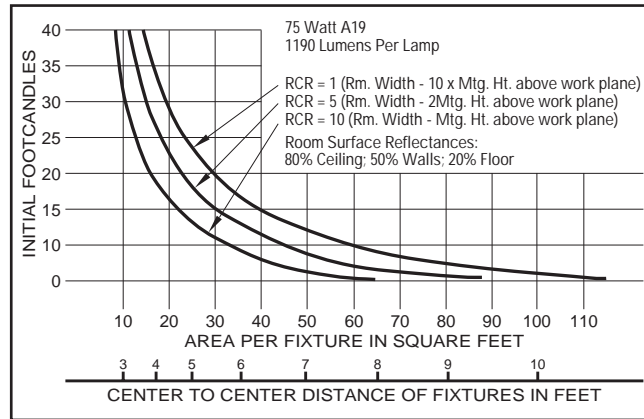
# LIGHTOLIER®



**A7053CL A19 75 Watt**



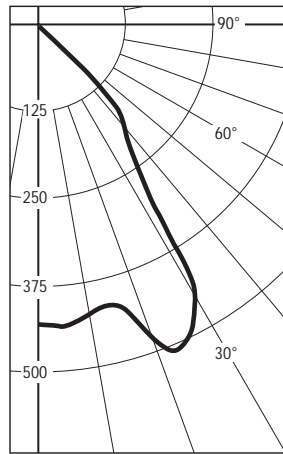
**A7053BK A19 75 Watt**



Use quick calculator chart to determine spacing of luminaires for desired level of illumination.  
 Conversion Factors:  
 40W A-19 (Clear): F.C. X 0.40; (Gold): F.C. x 0.35  
 60W A-19 (Clear): F.C. X 0.75; (Gold): F.C. x 0.65  
 75W A-19 (Gold): F.C. X 0.90;  
 100W A-19 (Clear): F.C. x 1.5; (Gold): F.C. x 1.3

Use quick calculator chart to determine spacing of luminaires for desired level of illumination.  
 Conversion Factors:  
 40W A-19 (Black Alzak): F.C. X 0.40; (Multi-groove): F.C. x 0.35  
 60W A-19 (Black Alzak): F.C. X 0.75; (Multi-groove): F.C. x 0.65  
 75W A-19 (Multi Groove): F.C. X 0.90;  
 100W A-19 (Black Alzak): F.C. x 1.5; (Multi-groove): F.C. x 1.3

**Spacing Ratio = 1.2**



**CANDLEPOWER SUMMARY**

ZONAL	
DEG	CP
0	438
5	440
15	420
25	511
35	274
45	155
55	2
65	0
75	0
85	0
90	0

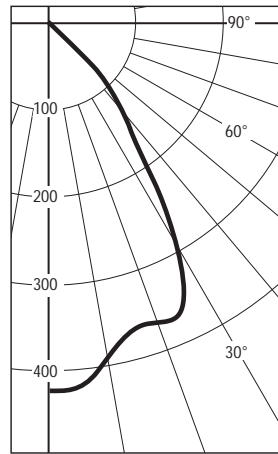
**ZONAL SUMMARY**

ZONE	LUMENS	LAMP	FIXT
0-30	397	33.4	57.4
0-40	570	47.9	82.2
0-60	691	58.1	99.8
0-90	693	58.2	100.0
90-180	0	0	.0
0-180	693	58.2	100.0

ITL, Inc. Report No. 23108  
 Date: 4-4-78  
 Efficiency: 58.2%

ITL, Inc. report No. 23108C. Date: 4-4-78

**Spacing Ratio = 1.1**



**CANDLEPOWER SUMMARY**

ZONAL	
DEG	CP
0	427
5	422
15	369
25	368
35	200
45	89
55	0
65	0
75	0
85	0
90	0

**ZONAL SUMMARY**

ZONE	LUMENS	LAMP	FIXT
0-30	315	26.5	61.7
0-40	441	37.0	86.3
0-60	510	42.8	99.8
0-90	511	42.9	100.0
90-180	0	0.0	0.0
0-180	511	42.9	100.0

ITL, Inc. Report No. 23151  
 Date: 4-10-78  
 Efficiency: 42.9%

ITL, Inc. report No. 23151C. Date: 4-10-78

**COEFFICIENTS OF UTILIZATION**  
 % EFFECTIVE CEILING CAVITY REFLECTANCE

ROOM CAVITY RATIO	% WALL REFLECTANCE																	
	80			70			50			30			10			0		
	50	30	10	50	30	10	50	30	10	50	30	10	50	30	10	50	30	10
1	.65	.63	.62	.63	.62	.61	.61	.60	.59	.59	.58	.57	.57	.56	.56	.55	.55	.55
2	.61	.58	.56	.60	.58	.56	.58	.56	.55	.56	.55	.53	.54	.53	.52	.51	.51	.51
3	.57	.54	.52	.56	.53	.51	.54	.52	.50	.53	.51	.50	.52	.50	.49	.48	.48	.48
4	.53	.50	.48	.52	.50	.47	.51	.49	.47	.50	.48	.46	.49	.47	.46	.45	.45	.45
5	.50	.46	.44	.49	.46	.44	.48	.45	.43	.47	.45	.43	.46	.44	.42	.42	.42	.42
6	.46	.43	.41	.46	.43	.40	.45	.42	.40	.44	.42	.40	.43	.41	.40	.39	.39	.39
7	.43	.40	.37	.43	.39	.37	.42	.39	.37	.41	.39	.37	.41	.38	.36	.36	.36	.36
8	.40	.37	.34	.40	.36	.34	.39	.36	.34	.39	.36	.34	.38	.35	.34	.33	.33	.33
9	.37	.33	.31	.37	.33	.31	.36	.33	.31	.36	.33	.31	.35	.33	.31	.30	.30	.30
10	.34	.31	.28	.34	.31	.28	.34	.31	.28	.33	.30	.28	.33	.30	.28	.27	.27	.27

Conversion Factor: For 40W, 60W and 100W A19 units with clear reflector, multiply C.U.'s by 1.0. For 40W, 60W, 75W and 100W A19 units with gold reflector, multiply C.U.'s by 0.9.

**COEFFICIENTS OF UTILIZATION**  
 % EFFECTIVE CEILING CAVITY REFLECTANCE

ROOM CAVITY RATIO	% WALL REFLECTANCE																	
	80			70			50			30			10			0		
	50	30	10	50	30	10	50	30	10	50	30	10	50	30	10	50	30	10
1	.48	.47	.46	.47	.46	.45	.45	.44	.44	.44	.43	.42	.42	.41	.40	.40	.39	.38
2	.45	.43	.42	.44	.43	.42	.43	.42	.41	.42	.41	.40	.40	.40	.39	.38	.37	.36
3	.42	.40	.39	.42	.40	.38	.40	.39	.38	.39	.38	.37	.37	.37	.36	.35	.34	.33
4	.40	.38	.36	.39	.37	.36	.38	.37	.35	.37	.36	.35	.37	.36	.35	.34	.33	.32
5	.37	.35	.33	.37	.35	.33	.36	.34	.33	.35	.34	.32	.35	.34	.32	.31	.30	.29
6	.35	.33	.31	.35	.32	.31	.34	.32	.31	.34	.32	.30	.33	.31	.30	.29	.28	.27
7	.33	.30	.29	.33	.30	.29	.32	.30	.28	.32	.30	.28	.31	.29	.28	.27	.26	.25
8	.31	.28	.27	.30	.28	.26	.30	.28	.26	.30	.28	.26	.29	.27	.26	.25	.24	.23
9	.29	.26	.24	.28	.26	.24	.28	.26	.24	.28	.26	.24	.27	.25	.24	.23	.22	.21
10	.27	.24	.23	.27	.24	.23	.26	.24	.23	.26	.24	.22	.26	.24	.22	.21	.20	.19

Conversion Factor: For 40W, 60W and 100W A19 units with black Alzak, multiply C.U.'s by 1.0. For 40W, 60W, 75W and 100W A19 units with Multi-Groove, multiply C.U.'s by 0.9.

Job Information

Type:

Lightolier a Genlyte Thomas Company

www.lightolier.com

631 Airport Road, Fall River, MA 02720 • (508) 679-8131 • Fax (508) 674-4710

We reserve the right to change details of design, materials and finish.

© 2002 Genlyte Thomas Group LLC (Lightolier Division) • B0204

**LIGHTOLIER®**