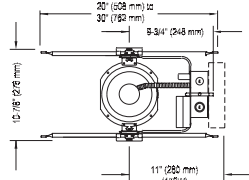
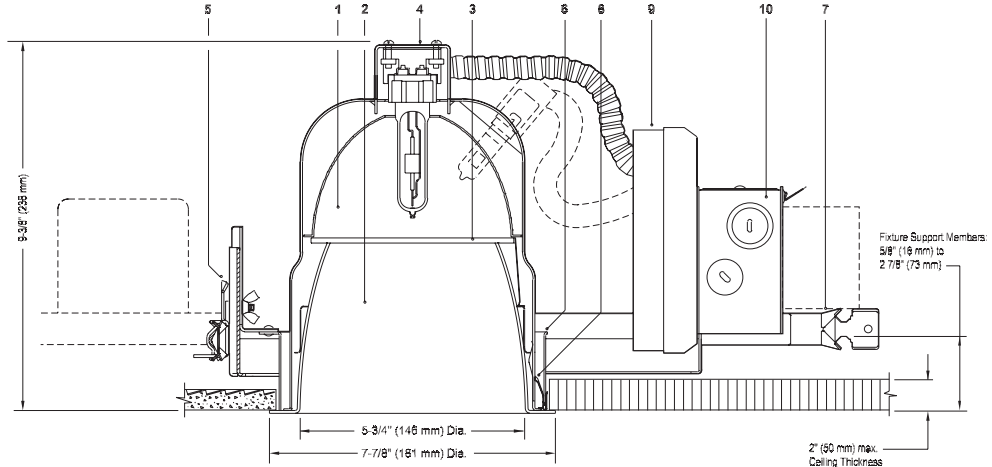


Top View: Magnetic Ballast



Top View: Electronic Ballast

Ceiling Cutout: 6 9/16" (167 mm) Dia.



Reflector Trim

C6T6VW CLW	Specular Clear, White Painted Flange.
CLP	Specular Clear, Matching Flange.
CCDW	Comfort Clear Diffuse, White Painted Flange.
CCDP	Comfort Clear Diffuse, Matching Flange.
CCZW	Champagne Bronze, White Painted Flange.
CCZP	Champagne Bronze, Matching Flange.

Frame-In Kit

C639T6E1	Electronic 120V
C639T6E2	Electronic 277V
C670T6E1	Electronic 120V
C670T6E2	Electronic 277V
C615T6E1	Electronic 120V
C615T6E2	Electronic 277V
C615T6U	Magnetic 120V/277V

Lamp

39W T6	Ceramic Metal Halide
39W T6	Ceramic Metal Halide
70W T6	Ceramic Metal Halide
70W T6	Ceramic Metal Halide
150W T6	Ceramic Metal Halide
150W T6	Ceramic Metal Halide
150W T6	Ceramic Metal Halide

Features

- Upper Reflector:** Clear anodized aluminum, 0.040" (16-ga.). Provides wide beam optics ideal for general lighting. Also available in narrow and medium beam, see C6T6VN and C6T6VM specification sheets.
- Aperture Cone:** Provides 50° visual cut-off to lamp and lamp image; self-flange in painted white or aperture-matching polished flange. Consult factory for other finishes.
- Lamp Shield:** High-temperature glass as required by code, captive during re-lamping. Light diffusion provides exceptionally smooth beam.
- Socket Housing:** Galvanized steel, pre-wired with G12 pulse rated socket. Snaps onto upper reflector for secure attachment without tools; assures proper lamp alignment to optics for consistent performance..
- Mounting Frame:** 0.048" (18-ga.) galvanized steel. Vertical adjustment mechanism accommodates mounting to virtually any ceiling system using mounting bars (provided, or 1/2" EMT tubing (by others). Single locking feature secures all adjustments. Alignment holes and markings allow fixture to be preset prior to installation.
- Mounting Ring:** 0.048"(18-ga.) galvanized steel. Designed for vertical adjustment from above or below for ceilings from 0" to 2" thick. Center-line notches allow consistent alignment of multiple fixtures.
- Mounting Bars:** 0.048" (18-ga.) pre-installed, telescoping bars extend to 30" long and lock securely into position. Built-in locking tabs provide positive attachment to common T-bar systems. Self-centering feature simplifies installation in 24" O.C. grid systems. Attaches to steel or wood joists without accessories.
- Trim Retention Springs:** Rust resistant springs secure reflector/housing for quick, tool-less installation.
- Ballast / Socket Housing / Cover Assembly:** Snaps onto junction box without tools for inspection and ballast replacement, accessible from below.
- Junction Box:** 0.048" (18-ga.) galvanized steel. UL listed for 8 No. 12 AWG, 90°C through branch circuit conductors. Allows inspection from below.
- Thermal Protector:** (Not Shown) Meets NEC and UL requirements. Do not install insulation above nor within 3" (76mm) of any part of the luminaire.

Electrical

Electronic Ballast: 120 or 277V, 50/60 Hz., enclosed, high power factor, T.H.D. <15%, thermally and transient protected, RMI/RFI complies with FCC Part 18 non-consumer equipment, shut-down circuit at end of lamp life, sound rating "A", -5°F (-20°F for 150W) minimum starting temperature, Type 1 outdoor rating.

Electrical (cont.)

150W Magnetic Ballast: 120/277V dual voltage, 60 Hz., enclosed and potted, HX-HPF circuit type, high power factor, sound rating "B", -20°F minimum starting temperature, Type 1 Outdoor rating.

Ballast	ANSI Code	Voltage	Max. Amps	Input Watts
39W MH	M130	120/277	0.39/0.17	44
70W MH	M139	120/277	0.67/0.29	78
150W MH	M142	120/277	1.40/0.60	169/166
* 150W MH	M142	120/277	3.70/1.60	180
* Magnetic Ballast				

Options and Accessories

Auxiliary: Add suffix **A** to Frame-In Kit and Reflector Trim. See Spec.Sheet "A/E". For 277 electronic consult factory.

Emergency: Add suffix **E** to Reflector Trim and Frame-In Kit. See Spec. Sheet "A/E".

Slope Ceiling Adapters: See Specification Sheet SCA.

Chicago Plenum: Consult Factory.

Labels

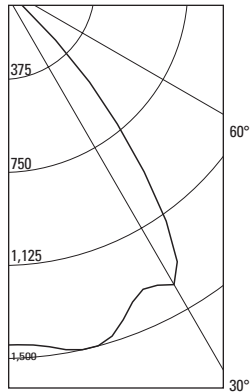
cULus (Suitable for Damp Locations), I.B.E.W. For 150W, install fixtures with minimum spacing; 3 feet from center-to center of adjacent luminaires, 3" from top of luminaire to overhead building member; 1 1/2 feet from luminaire center to side building member.

Job Information	Type:
Job Name:	
Cat. No.:	
Lamp(s):	
Notes:	

631 Airport Road, Fall River, MA 02720 • (508) 679-8131 • Fax (508) 674-4710
 We reserve the right to change details of design, materials and finish.
 www.lightolier.com © 2008 Philips Group • B1204

39W T6 PHILIPS CMH LAMP, LUMEN RATING = 3400 LMS, AROMAT ELECTRONIC BALLAST, CL FINISH TRIM

CANDLEPOWER DISTRIBUTION



ANGLE	MEAN CP	LUMENS
0	1448	
5	1453	139
10	1489	
15	1502	420
20	1431	
25	1349	638
30	1390	
35	1157	695
40	726	
45	308	264
50	24	
55	3	7
60	0	0
65	0	0
70	0	0
75	0	0
80	0	0
85	0	0
90	0	0

LUMINANCE SUMMARY CD. / SQ. M.

ANGLE	MEAN CD/SQ.M
45	26087
55	338
65	0
75	0
85	0

ZONAL LUMENS AND PERCENTAGES

ZONE	LUMENS	% LAMP	%LUMINAIRE
0-30	1197	35.22	55.34
0-40	1893	55.68	87.47
0-60	2164	63.65	100
0-90	2164	63.65	100
40-90	271	7.97	12.53
60-90	0	0	0
90-180	0	0	0
0-180	2164	63.65	100

Coefficients of Utilization

CEILING	80%				70%		50%		30%		0
	70	50	30	10	50	10	50	10	50	10	
WALL											
RCR	Zonal Cavity Method - Effective Floor Cavity Reflectance = 20%										
0	.76	.76	.76	.76	.74	.74	.71	.71	.68	.68	.64
1	.73	.71	.70	.68	.70	.67	.67	.65	.65	.63	.60
2	.70	.67	.64	.62	.66	.62	.63	.60	.62	.59	.57
3	.66	.62	.59	.57	.61	.56	.60	.56	.58	.55	.53
4	.63	.58	.55	.53	.58	.52	.56	.52	.55	.51	.49
5	.60	.55	.51	.48	.54	.48	.53	.48	.52	.47	.46
6	.57	.51	.47	.45	.51	.44	.50	.44	.49	.44	.43
7	.53	.48	.44	.41	.47	.41	.46	.41	.45	.40	.39
8	.50	.44	.40	.38	.44	.37	.43	.37	.42	.37	.36
9	.47	.41	.37	.34	.41	.34	.40	.34	.39	.34	.33
10	.44	.38	.34	.31	.38	.31	.37	.31	.37	.31	.30

LUMINAIRE INPUT WATTS = 44

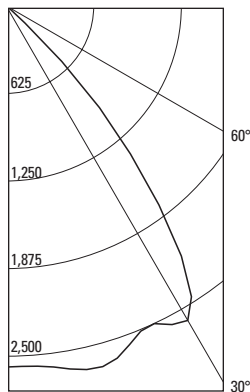
** EFFICIENCY = 63.7% **
SC = 1.2

CERTIFIED TEST REPORT NO. 2327FR, DATE: OCT 25, 2003
COMPUTED BY LSI PROGRAM **TEST-LITE**

1,125

70W T6 PHILIPS CMH LAMP, LUMEN RATING = 6600 LMS, AROMAT ELECTRONIC BALLAST, CL FINISH TRIM

CANDLEPOWER DISTRIBUTION



ANGLE	MEAN CP	LUMENS
0	2579	
5	2582	248
10	2633	
15	2667	747
20	2575	
25	2503	1177
30	2594	
35	2181	1309
40	1382	
45	564	495
50	45	
55	8	14
60	2	
65	0	1
70	0	0
75	0	0
80	0	0
85	0	0
90	0	0

LUMINANCE SUMMARY CD. / SQ. M.

ANGLE	MEAN CD/SQ.M
45	47753
55	792
65	11
75	0
85	0

ZONAL LUMENS AND PERCENTAGES

ZONE	LUMENS	% LAMP	%LUMINAIRE
0-30	2172	32.91	54.43
0-40	3481	52.75	87.24
0-60	3990	60.46	99.98
0-90	3990	60.47	100
40-90	509	7.72	12.76
60-90	0	0.01	0.02
90-180	0	0	0
0-180	3990	60.47	100

Coefficients of Utilization

CEILING	80%				70%		50%		30%		0
	70	50	30	10	50	10	50	10	50	10	
WALL											
RCR	Zonal Cavity Method - Effective Floor Cavity Reflectance = 20%										
0	.72	.72	.72	.72	.71	.71	.67	.67	.65	.65	.61
1	.69	.67	.66	.65	.66	.64	.64	.62	.61	.60	.57
2	.66	.63	.61	.59	.62	.58	.60	.57	.58	.56	.54
3	.63	.59	.56	.54	.58	.53	.57	.53	.55	.52	.50
4	.60	.55	.52	.50	.55	.49	.53	.49	.52	.48	.47
5	.56	.52	.48	.45	.51	.45	.50	.45	.49	.44	.43
6	.54	.48	.45	.42	.48	.42	.47	.42	.46	.41	.40
7	.50	.45	.41	.39	.44	.38	.44	.38	.43	.38	.37
8	.48	.42	.38	.35	.41	.35	.41	.35	.40	.35	.34
9	.45	.39	.35	.32	.38	.32	.38	.32	.37	.32	.31
10	.42	.36	.32	.29	.35	.29	.35	.29	.34	.29	.28

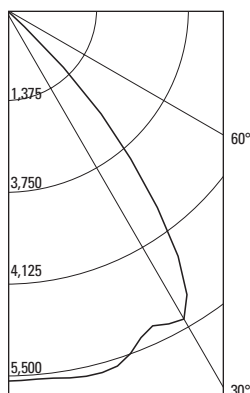
LUMINAIRE INPUT WATTS = 78

** EFFICIENCY = 60.5% **
SC = 1.2

CERTIFIED TEST REPORT NO. 2323FR, DATE: OCT 04, 2003
COMPUTED BY LSI PROGRAM **TEST-LITE**

150W T6 PHILIPS CMH LAMP, LUMEN RATING = 14000 LMS, AROMAT ELECTRONIC BALLAST, CL FINISH TRIM

CANDLEPOWER DISTRIBUTION



ANGLE	MEAN CP	LUMENS
0	5583	
5	5573	533
10	5619	
15	5646	1588
20	5503	
25	5245	2472
30	5370	
35	4530	2727
40	2936	
45	1247	1071
50	102	
55	17	32
60	7	
65	1	2
70	0	0
75	0	0
80	0	0
85	0	0
90	0	0

LUMINANCE SUMMARY CD. / SQ. M.

ANGLE	MEAN CD/SQ.M
45	105687
55	1783
65	209
75	0
85	0

ZONAL LUMENS AND PERCENTAGES

ZONE	LUMENS	% LAMP	%LUMINAIRE
0-30	4593	32.81	54.51
0-40	7321	52.29	86.88
0-60	8424	60.17	99.97
0-90	8426	60.19	100
40-90	1105	7.9	13.12
60-90	2	0.02	0.03
90-180	0	0	0
0-180	8426	60.19	100

Coefficients of Utilization

CEILING	80%				70%		50%		30%		0
	70	50	30	10	50	10	50	10	50	10	
WALL											
RCR	Zonal Cavity Method - Effective Floor Cavity Reflectance = 20%										
0	.72	.72	.72	.72	.70	.70	.67	.67	.64	.64	.60
1	.69	.67	.66	.64	.66	.63	.63	.61	.61	.59	.57
2	.65	.63	.61	.58	.62	.58	.60	.57	.58	.55	.53
3	.62	.58	.56	.53	.58	.53	.56	.52	.55	.51	.50
4	.59	.55	.52	.49	.54	.49	.53	.48	.52	.48	.46
5	.56	.51	.48	.45	.51	.45	.50	.45	.49	.44	.43
6	.53	.48	.44	.42	.47	.42	.47	.41	.46	.41	.40
7	.50	.45	.41	.38	.44	.38	.43	.38	.43	.38	.37
8	.47	.41	.38	.35	.41	.35	.40	.35	.40	.35	.34
9	.44	.38	.35	.32	.38	.32	.37	.32	.37	.32	.31
10	.42	.35	.32	.29	.35	.29	.35	.29	.34	.29	.28

LUMINAIRE INPUT WATTS = 167

** EFFICIENCY = 60.2% **
SC = 1.25

CERTIFIED TEST REPORT NO. 2330FR, DATE: OCT 07, 2003
COMPUTED BY LSI PROGRAM **TEST-LITE**

Job Information Type:

631 Airport Road, Fall River, MA 02720 • (508) 679-8131 • Fax (508) 674-4710
We reserve the right to change details of design, materials and finish.
www.lightolier.com © 2008 Philips Group • B1204