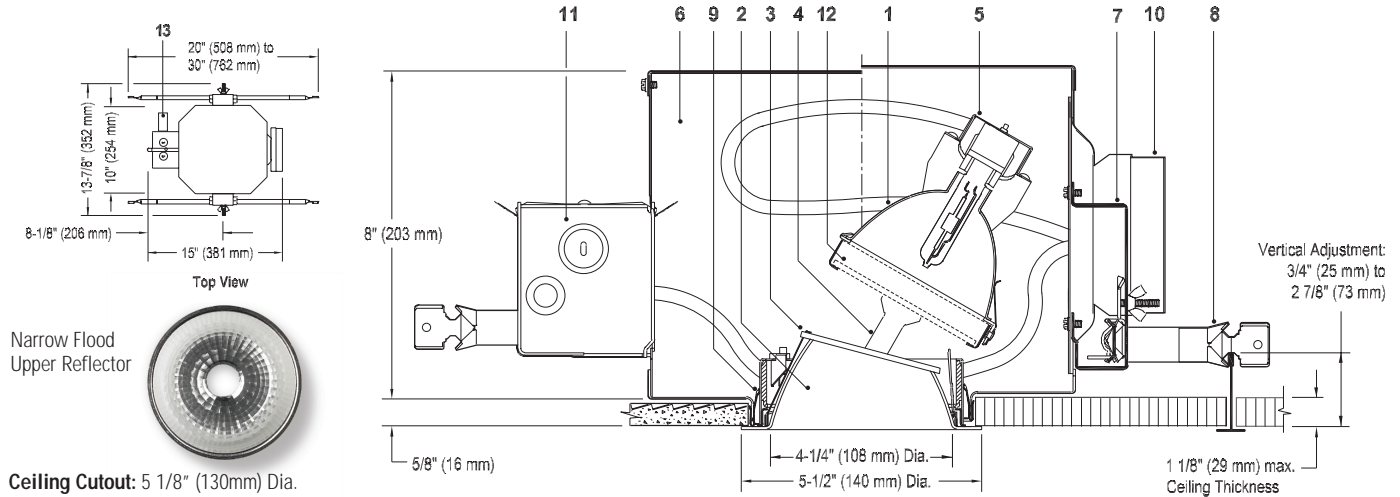




Calculite® HID Adjustable Accent **C4T4A-MHT4RNF**

Page 1 of 2

4 1/2" Aperture, T4.5, Ceramic Metal Halide, 25° Narrow Flood



Narrow Flood Upper Reflector



Ceiling Cutout: 5 1/8" (130mm) Dia.

For Complete Fixture Order: Trim Kit + Narrow Flood Upper Reflector (MHT4RNF) + Frame-In Kit. Each Sold Separately.

Trim Kit + Narrow Flood Upper Reflector		Frame-In Kit	Lamp		
C4T4A	+ MHT4RNF (Narrow Flood Upper Reflector)	C4A20T4E1	Electronic 120V	20W T4.5	Ceramic MH
CLW	Specular Clear, White Painted Flange	C4A20T4E2	Electronic 277V	20W T4.5	Ceramic MH
CLP	Specular Clear, Matching Flange	C4A39T4E1	Electronic 120V	39W T4.5	Ceramic MH
CCDW	Comfort Clear Diffuse, White Painted Flange	C4A39T4E2	Electronic 277V	39W T4.5	Ceramic MH
CCDP	Comfort Clear Diffuse, Matching Flange	C4A70T4E1	Electronic 120V	70W T4.5	Ceramic MH
CCZW	Champagne Bronze, White Painted Flange	C4A70T4E2	Electronic 277V	70W T4.5	Ceramic MH
CCZP	Champagne Bronze, Matching Flange				

Features

- Narrow Flood Upper Reflector:** Specular split faceted aluminum; provides 25° beam. Interchangeable with 12° Spot (MHT4RS) and 40° Flood (MHT4RF); see spec sheets C4T4A-MHT4RS and C4T4A-MHT4RF.
- Trim Kit:** Low brightness aperture cone; anodized aluminum, self-flanged in painted white or aperture-matching polished flange. Consult factory for other finishes.
- Lamp Shield:** High-temperature glass as required by code; captive during re-lamping.
- Trim Kit Adjustment Mechanism:** Provides 35° vertical tilt, 360° horizontal rotation; lockable. Patented EZ-Aim Helical Drive System provides fast and accurate hot aiming with Phillips screwdriver.
- Socket Housing:** Galvanized steel, pre-wired with G8.5 pulse rated socket. Snaps onto yoke for secure attachment without tools; unitized construction assures proper alignment of lamp to optics for consistent optical performance.
- Frame Housing:** Steel, 0.029" (22-Ga.), matte black finish. Removable cover for top re-lamping.
- Frame Vertical Adjustment Mechanism:** Accommodates mounting to virtually any ceiling system using pre-installed mounting bars, or 1/2" EMT tubing (by others). Single locking feature secures all adjustments. Alignment holes and markings allow fixture to be pre-set prior to installation. Final adjustment can be made from below from inside fixture.
- Mounting Bars:** Galvanized steel, 0.048" (18-ga.), pre-installed telescoping bars extend to 30" long and lock securely into position. Built-in locking tabs provide positive attachment to common T-bar systems. Self-centering feature simplifies installation in 24" O.C. grid systems. Attaches to steel or wood joists without accessories.
- Retention Springs:** Rust resistant springs secure trim for quick, tool-less installation.
- Ballast / Cover Assembly:** Accessible from below and removable without tools for inspection and ballast replacement.
- Junction Box:** 0.059" (16-ga.) galvanized steel. UL listed for 8 No. 12 AWG, 90° C through branch circuit conductors. Allows inspection from below.
- Optional Accessory Holder:** Sold separately catalog # CAH4; die-formed steel, matte black finish, slide-in installation. Accepts up to two 3 3/4" dia. media.

Features (Cont.)

- Thermal Protector:** (Not Shown) Meets NEC and UL requirements. Do not install insulation above nor within 3" (76mm) of any part of the luminaire.

Electrical

Electronic Ballast: 120 or 277V, 50/60 Hz., enclosed, high power factor, T.H.D. <15%, thermally and transient protected, RMI/RFI complies with FCC Part 18 non-consumer limits, shut-down circuit at end of lamp life, sound rating "A", -5° F minimum starting temperature, Type 1 Outdoor rating.

Ballast	ANSI Code	Voltage	Max. Amps	Input Watts
20W MH	M156	120/277	0.21/0.10	23
39W MH	M130	120/277	0.39/0.17	44
70W MH	M139	120/277	0.67/0.29	78

Options and Accessories

Chicago Plenum: Consult Factory

Labels

UL (Suitable for Damp Locations), CSA, I.B.E.W.

Job Information	Type:
Job Name:	
Cat. No.:	
Lamp(s):	
Notes:	

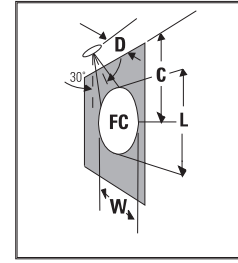
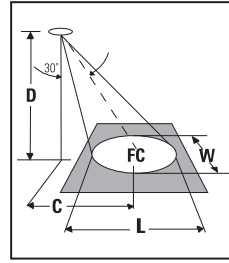
Lightolier a Genlyte Thomas Company www.lightolier.com
 631 Airport Road, Fall River, MA 02720 • (508) 679-8131 • Fax (508) 674-4710
 We reserve the right to change details of design, materials and finish.
 © 2004 Genlyte Thomas Group LLC (Lightolier Division) • A0504

LIGHTOLIER®

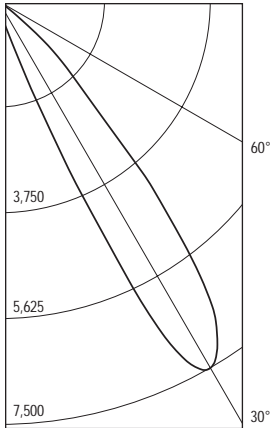


Calculite® HID Adjustable Accent C4T4A-MHT4RNF

(FC) is initial footcandles at center of beam. Beam length (L) and beam width (W) are to where the candlepower is reduced to 50% of the center beam candlepower. (C) is the distance to the center of the beam.



CANDLEPOWER DISTRIBUTION



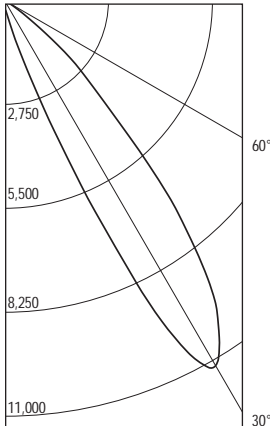
20W T4.5- NARROW FLOOD REFLECTOR

ANGLE	WALL	AIMED 30° TOWARD WALL
0	121	
5	145	T4 20W G.E. METAL HALIDE LAMP
10	214	LUMEN RATING = 1700 LMS.
15	431	
20	1461	CBCP= 7,505 cd
25	5466	BEAM ANGLE = 18°
30	7505	AROMAT 20W ELECTRONIC BALLAST
35	6601	
40	3969	DATE: OCT 31, 2003
45	1807	CERTIFIED TEST REPORT NO. 2352FR
50	691	COMPUTED BY LSI PROGRAM
55	99	**TEST-LITE**
60	18	
65	3	
70	0	
75	0	
80	0	
85	0	
90	0	

30° Aiming Angle Horizontal Surface				
D	C	FC	L	W
6	3.5'	135	2.6'	2.2'
8	4.6'	76	3.4'	2.9'
10	5.8'	49	4.3'	3.7'
12	6.9'	34	5.1'	4.4'
15	8.7'	22	6.4'	5.5'

30° Aiming Angle Vertical Surface				
D	C	FC	L	W
2	3.5'	235	2.7'	1.3'
3	5.2'	104	4.1'	1.9'
4	6.9'	59	5.5'	2.5'
6	10.4'	26	8.2'	3.8'
8	13.9'	15	11.0'	5.1'

CANDLEPOWER DISTRIBUTION



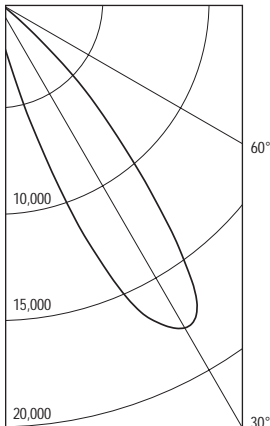
39W T4.5 - NARROW FLOOD REFLECTOR

ANGLE	WALL	AIMED 30° TOWARD WALL
0	207	
5	250	T4 39W PHILIPS METAL HALIDE LAMP
10	369	LUMEN RATING = 3300 LMS.
15	988	
20	3040	CBCP=11,161 cd
25	8210	BEAM ANGLE = 19°
30	11161	AROMAT 39W ELECTRONIC BALLAST
35	9706	
40	6745	DATE: OCT 30, 2003
45	3537	CERTIFIED TEST REPORT NO. 2349FR
50	1841	COMPUTED BY LSI PROGRAM
55	530	**TEST-LITE**
60	72	
65	7	
70	0	
75	0	
80	0	
85	0	
90	0	

30° Aiming Angle Horizontal Surface				
D	C	FC	L	W
6'	3.5'	201	2.7'	2.3'
8'	4.6'	113	3.6'	3.1'
10'	5.8'	72	4.5'	3.9'
12'	6.9'	50	5.4'	4.6'
15'	8.7'	32	6.8'	5.8'

30° Aiming Angle Vertical Surface				
D	C	FC	L	W
2'	3.5'	349	2.9'	1.3'
3'	5.2'	155	4.4'	2.0'
4'	6.9'	87	5.8'	2.7'
6'	10.4'	39	8.8'	4.0'
8'	13.9'	22	11.7'	5.4'

CANDLEPOWER DISTRIBUTION



70W LAMP - NARROW FLOOD REFLECTOR

ANGLE	WALL	AIMED 30° TOWARD WALL
0	538	
5	933	T4 70W PHILIPS METAL HALIDE LAMP
10	2082	LUMEN RATING = 6400 LMS.
15	5091	
20	10996	CBCP= 17,714cd
25	16127	BEAM ANGLE = 24°
30	17714	AROMAT 70W ELECTRONIC BALLAST
35	16020	
40	10501	DATE: OCT 25, 2003
45	5901	CERTIFIED TEST REPORT NO. 2346FR
50	2069	COMPUTED BY LSI PROGRAM
55	545	**TEST-LITE**
60	66	
65	7	
70	0	
75	0	
80	0	
85	0	
90	0	

30° Aiming Angle Horizontal Surface				
D	C	FC	L	W
8	4.6'	180	4.6'	3.9'
10	5.8'	115	5.8'	4.9'
12	6.9'	80	6.9'	5.9'
15	8.7'	51	8.6'	7.4'
20	11.5'	29	11.5'	9.8'

30° Aiming Angle Vertical Surface				
D	C	FC	L	W
3	5.2'	246	5.9'	2.6'
4	6.9'	138	7.9'	3.4'
6	10.4'	62	11.8'	5.1'
8	13.9'	35	15.7'	6.8'
12	20.8'	15	23.6'	10.2'

Job Information Type:

LIGHTOLIER®