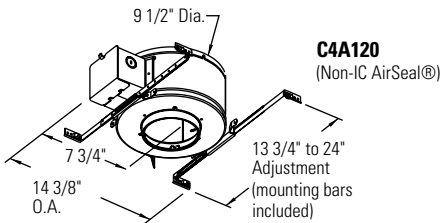
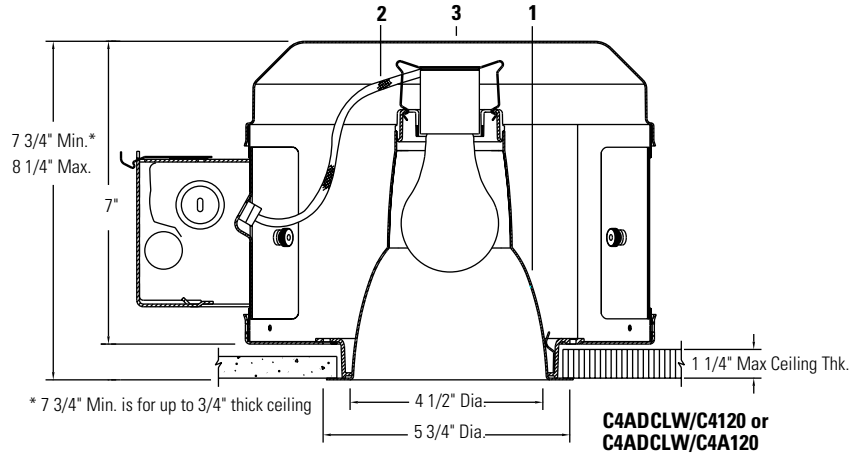
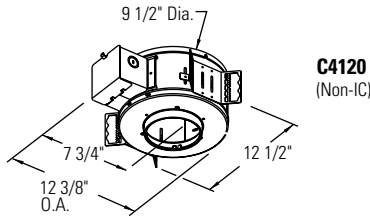
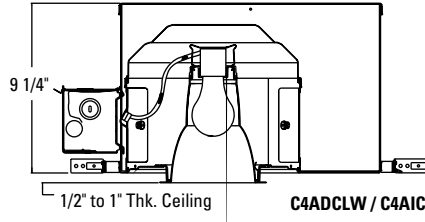
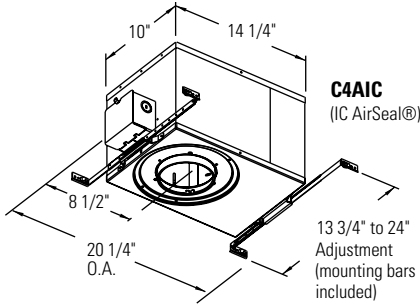




Calculite® Evolution Incandescent Open Downlight **C4AD**



Ceiling Cutout: 5 1/16" (129 mm) Dia.

Reflector Trim		Frame-In Kit			
C4AD CLW	Specular Clear, White Flange	Non-IC	Non-IC AirSeal®	IC-AirSeal®	Non-IC Remodeler
C4AD CLP	Specular Clear, Polished Flange	C4120	C4A120	C4AIC	C4120RM
C4AD <input type="checkbox"/>	Add suffix. See options for other finishes.	100W A19, MB19 100W BT15	100W A19, MB19 100W BT15	60W MB19 75W A19, BT15	100W A19, MB19 100W BT15

Features

- Reflector:** 16 ga. Alzak® aluminum, 50° visual cutoff to lamp and lamp image, medium spread distribution. Available with painted white or polished flange. Interchangeable with other Evolution 4 1/2" line voltage trims.
- Socket Harness:** Spring tension clips snap into die-cast aluminum top at pre-focused positions insuring correct optical alignment. Medium base porcelain socket with nickel plated screw shell, No.18 SF-1, leads to keyed plug-in quick connector for power connection to junction box.
- Frame-In Kit:** Compatible Frame-In Kits are listed above. See separate Frame-In Kit specification sheets for details.
Non-IC and Non-IC AirSeal® - Insulation must be kept 3" away from fixture sides and wiring compartments and must not be placed above fixture in a manner which will entrap heat.
IC-AirSeal® - Fixture may be in direct contact with insulation.

Options and Accessories

- Reflector Finishes¹**
- Comfort Clear Diffuse **CCD**
 - Specular Gold **GD**
 - White **WH**

¹Specify desired flange
W White, **P** Polished

Labels

UL Listed (suitable for damp locations), I.B.E.W.

Alzak® is a registered trademark of ALCOA.
US Patent No. 5,957,573. Other US and Foreign Patents Pending.

Job Information	Type:
Job Name:	
Cat. No.:	
Lamp(s):	
Notes:	

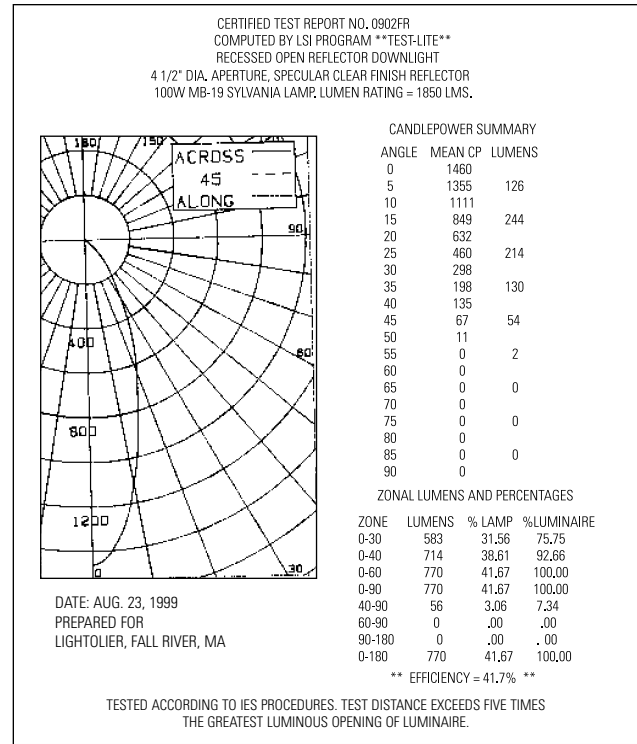
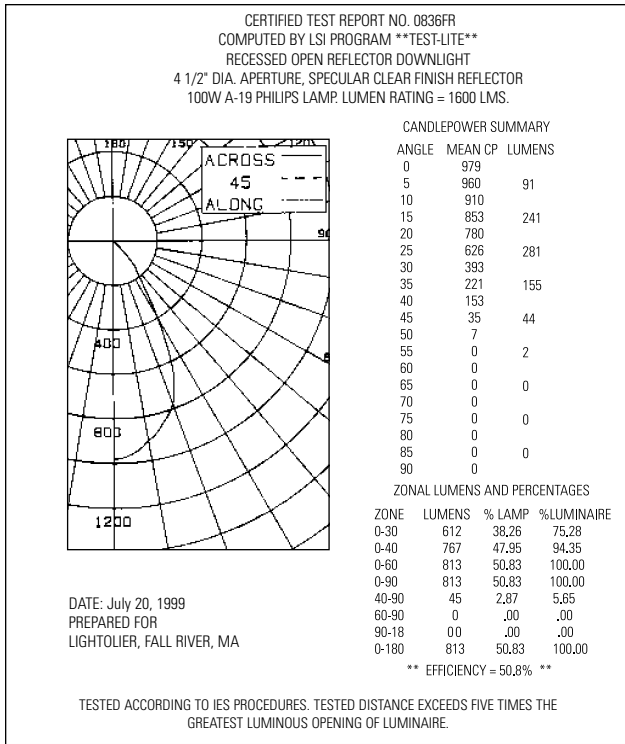
Lightolier a Genlyte Thomas Company www.lightolier.com
 631 Airport Road, Fall River, MA 02720 • (508) 679-8131 • Fax (508) 674-4710
 We reserve the right to change details of design, materials and finish.
 © 2003 Genlyte Thomas Group LLC (Lightolier Division) • B0403

LIGHTOLIER®



SPACING RATIO = 0.9

SPACING RATIO = 0.6



COEFFICIENTS OF UTILIZATION
% EFFECTIVE CEILING CAVITY REFLECTANCE

ROOM CAVITY RATIO	% EFFECTIVE CEILING CAVITY REFLECTANCE															
	80			70			50			30			10			0
	50	30	10	50	30	10	50	30	10	50	30	10	50	30	10	0
1	.57	.56	.55	.56	.55	.54	.54	.53	.53	.52	.52	.51	.51	.50	.50	.49
2	.54	.53	.51	.53	.52	.51	.52	.51	.50	.50	.49	.49	.49	.48	.48	.47
3	.51	.49	.48	.51	.49	.48	.50	.48	.47	.48	.47	.46	.47	.46	.45	.45
4	.49	.47	.45	.49	.47	.45	.48	.46	.44	.47	.45	.44	.46	.44	.43	.43
5	.47	.44	.42	.46	.44	.42	.45	.43	.42	.44	.43	.42	.44	.42	.41	.41
6	.45	.42	.40	.44	.42	.40	.43	.41	.40	.43	.41	.40	.42	.41	.39	.39
7	.42	.40	.38	.42	.40	.38	.41	.39	.38	.41	.39	.38	.40	.39	.37	.37
8	.40	.38	.36	.40	.38	.36	.39	.37	.36	.39	.37	.36	.39	.37	.35	.35
9	.38	.36	.34	.38	.36	.34	.38	.35	.34	.37	.35	.34	.37	.35	.34	.33
10	.36	.34	.32	.36	.34	.32	.36	.34	.32	.35	.33	.32	.35	.33	.32	.31

20% FLOOR CAVITY REFLECTANCE

Conversion Factors
40W to 100W A19: Clear, C.U. x 1.00; Diffuse, C.U. x 0.85; Gold C.U. 0.90
60W to 100W BT15: Clear, C.U. x 0.85; Diffuse, C.U. x 0.70; Gold C.U. x 0.75

COEFFICIENTS OF UTILIZATION
% EFFECTIVE FLOOR CAVITY REFLECTANCE

ROOM CAVITY RATIO	% EFFECTIVE FLOOR CAVITY REFLECTANCE															
	80			70			50			30			10			0
	50	30	10	50	30	10	50	30	10	50	30	10	50	30	10	0
1	.47	.46	.45	.46	.45	.45	.44	.44	.41	.41	.42	.42	.41	.41	.41	.40
2	.45	.43	.42	.44	.43	.42	.42	.42	.41	.41	.41	.40	.40	.40	.39	.39
3	.42	.41	.39	.42	.40	.39	.41	.40	.39	.40	.39	.38	.39	.38	.37	.37
4	.40	.39	.37	.40	.38	.37	.39	.38	.37	.38	.37	.36	.38	.37	.36	.35
5	.39	.37	.35	.38	.36	.35	.37	.36	.35	.37	.35	.34	.36	.35	.34	.34
6	.37	.35	.34	.37	.36	.33	.36	.34	.33	.35	.34	.33	.35	.34	.33	.32
7	.35	.33	.32	.35	.33	.32	.34	.33	.32	.34	.32	.31	.34	.32	.31	.31
8	.34	.32	.30	.33	.31	.30	.33	.31	.30	.33	.31	.30	.32	.31	.30	.29
9	.32	.30	.29	.32	.30	.29	.31	.30	.29	.31	.30	.28	.31	.29	.28	.28
10	.31	.29	.27	.30	.29	.27	.30	.28	.27	.30	.28	.27	.30	.28	.27	.27

20% FLOOR CAVITY REFLECTANCE

Conversion Factors:
60W to 100W MB19: Clear, C.U.x 1.00; Diffuse, C.U.x 0.85; Gold C.U.x 0.9

LIGHTOLIER

Job Information **Type:**

Lightolier a Genlyte Thomas Company www.lightolier.com
631 Airport Road, Fall River, MA 02720 • (508) 679-8131 • Fax (508) 674-4710
We reserve the right to change details of design, materials and finish.
© 2003 Genlyte Thomas Group LLC (Lightolier Division) • B0403