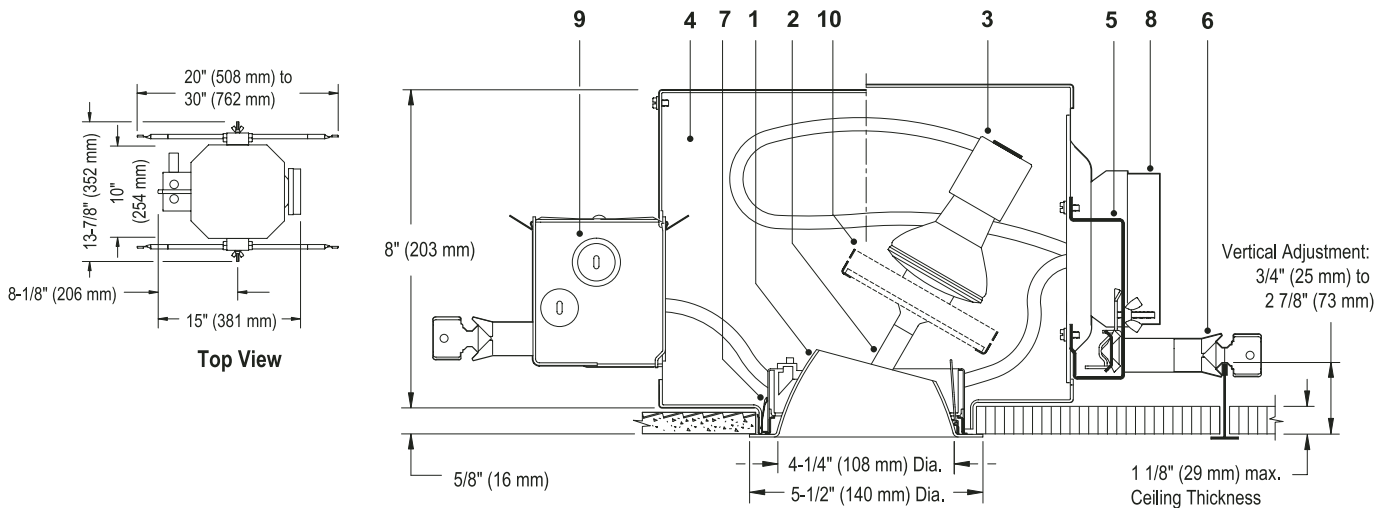


Calculite® HID Adjustable Accent **C4P20MHA**



Ceiling Cutout: 5 1/8" (130 mm) Dia.

Reflector Trim	Frame-In Kit	Lamp
C4P20MHA CLW Specular Clear, White Painted Flange.	C4A39P20E1 Electronic 120V	39W PAR20 Ceramic MH
CLP Specular Clear, Matching Flange.	C4A39P20E2 Electronic 277V	39W PAR20 Ceramic MH
CCDW Comfort Clear Diffuse, White Painted Flange.		
CCDP Comfort Clear Diffuse, Matching Flange.		
CCZW Champagne Bronze, White Painted Flange.		
CCZP Champagne Bronze, Matching Flange.		

Features

- Reflector Trim:** Low brightness, specular Clear anodized or Comfort Clear™ Diffuse with integral flange in painted white or polished to match inside of cone.
- Lamp Holder / Trim Adjustment Assembly:** Unitized optics insure alignment of lamp and aperture cone regardless of ceiling thickness. Provides 35° vertical tilt, 360°+ horizontal rotation; lockable. Patented EZ-Aim Helical Drive System provides fast and accurate hot aiming with Phillips screwdriver.
- Socket:** Medium base porcelain pulse rated socket with nickel plated screw-shell.
- Frame Housing:** Steel, 0.029" (22-Ga.), matte black finish.
- Frame Vertical Adjustment Mechanism:** Accommodates mounting to virtually any ceiling system using pre-installed mounting bars, or 1/2" EMT tubing (by others). Single locking feature secures all adjustments. Alignment holes and markings allow fixture to be pre-set prior to installation. Final adjustment can be made from below from inside fixture.
- Mounting Bars:** Galvanized steel, 0.048" (18-ga.), pre-installed telescoping bars extend to 30" long and lock securely into position. Built-in locking tabs provide positive attachment to common T-bar systems. Self-centering feature simplifies installation in 24" O.C. grid systems. Attaches to steel or wood joists without accessories.
- Retention Springs:** Rust resistant springs secure trim for quick, tool-less installation.
- Ballast / Cover Assembly:** Accessible from below and removable without tools for inspection and ballast replacement.
- Junction Box:** 0.059" (16-ga.) galvanized steel. UL listed for 8 No. 12 AWG, 90°C through branch circuit conductors. Allows inspection from below.
- Accessory Holder:** Sold separately catalog # CAH4; die-formed steel, matte black finish, slide-in installation. Accepts up to two 3 3/4" dia. media.
- Thermal Protector:** (Not Shown) Meets NEC and UL requirements. Do not install insulation above nor within 3" (76mm) of any part of the luminaire.

Electrical

Electronic Ballast: 120V or 277V, 50/60 Hz. enclosed, high power factor, T.H.D. <15%, thermally and transient protected, RMI/RFI complies with FCC part8 non-consumer limits, shut-down circuit at end of lamp life, sound rating "A", -5° F minimum starting temperature, Type 1 Outdoor rating.

Ballast	ANSI Code	Voltage	Max. Amps	Input Watts
39WMH	M130	120/277	0.39/0.17	44

Options and Accessories

CAH4: Accessory Holder. Accepts up to two 3 3/4" dia. media.

Chicago Plenum: Consult Factory

Labels

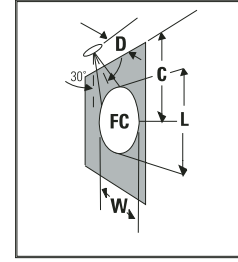
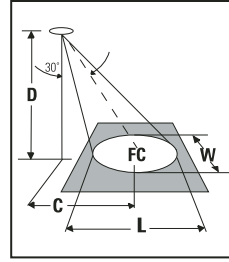
UL. (Suitable for damp locations), I.G.E.W.

Job Information	Type:
Job Name:	
Cat. No.:	
Lamp(s):	
Notes:	

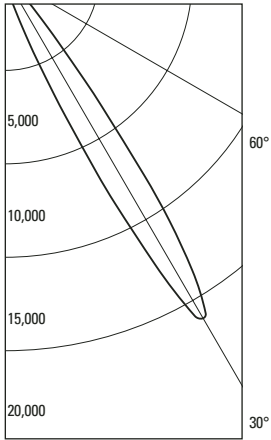
LIGHTOLIER®



(FC) is initial footcandles at center of beam. Beam length (L) and beam width (W) are to where the candlepower is reduced to 50% of the center beam candlepower. (C) is the distance to the center of the beam.



CANDLEPOWER DISTRIBUTION



ANGLE	WALL
0	375
5	504
10	675
15	1356
20	3875
25	11562
30	21102
35	12936
40	3535
45	997
50	204
55	21
60	0
65	0
70	0
75	0
80	0
85	0
90	0

39W PAR20 CERAMIC MH - SPOT

AIMED 30°. TOWARD WALL

LAMP: 39W PAR20 SP CERAMIC MH, PHILIPS
 LUMEN RATING: 2000 LMS.
 CBCP: 21102
 Beam Angle: 12
 AROMAT 39W ELECTRONIC BALLAST

DATE: MAR 11, 2004
 CERTIFIED TEST REPORT NO. 2538FR

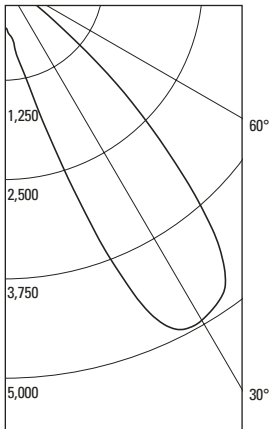
COMPUTED BY LSI PROGRAM
 TEST-LITE

**30° Aiming Angle
Horizontal Surface**

D	C	FC	L	W
6'	3.5'	381	1.7'	1.5'
8'	4.6'	214	2.3'	1.9'
10'	5.8'	137	2.8'	2.4'
12'	6.9'	95	3.4'	2.9'
15'	8.7'	61	4.2'	3.6'

**30° Aiming Angle
Vertical Surface**

D	C	FC	L	W
2'	3.5'	659	1.7'	0.8'
3'	5.2'	293	2.6'	1.3'
4'	6.9'	165	3.5'	1.7'
6'	10.4'	73	5.2'	2.5'
8'	13.9'	41	7.0'	3.4'



ANGLE	WALL
0	628
5	666
10	980
15	1727
20	3396
25	4772
30	4946
35	4804
40	4075
45	2630
50	1168
55	234
60	22
65	0
70	0
75	0
80	0
85	0
90	0

39W PAR20 CERAMIC MH - FLOOD

AIMED 30°. TOWARD WALL

LAMP: 39W PAR20 FL CERAMIC MH, PHILIPS
 LUMEN RATING: 2000 LMS.
 CBCP: 4946
 Beam Angle: 28
 AROMAT 39W ELECTRONIC BALLAST

DATE: MAR 11, 2004
 CERTIFIED TEST REPORT NO. 2535FR

COMPUTED BY LSI PROGRAM
 TEST-LITE

**30° Aiming Angle
Horizontal Surface**

D	C	FC	L	W
8'	4.6'	50	5.4'	4.6'
10'	5.8'	32	6.8'	5.8'
12'	6.9'	22	8.1'	6.9'
15'	8.7'	14	10.2'	8.6'
20'	11.5'	8	13.6'	11.5'

**30° Aiming Angle
Vertical Surface**

D	C	FC	L	W
3'	5.2'	69	7.4'	3.0'
4'	6.9'	39	9.8'	4.0'
6'	10.4'	17	14.7'	6.0'
8'	13.9'	10	19.6'	8.0'
12'	20.8'	4	29.4'	12.0'

Job Information Type: