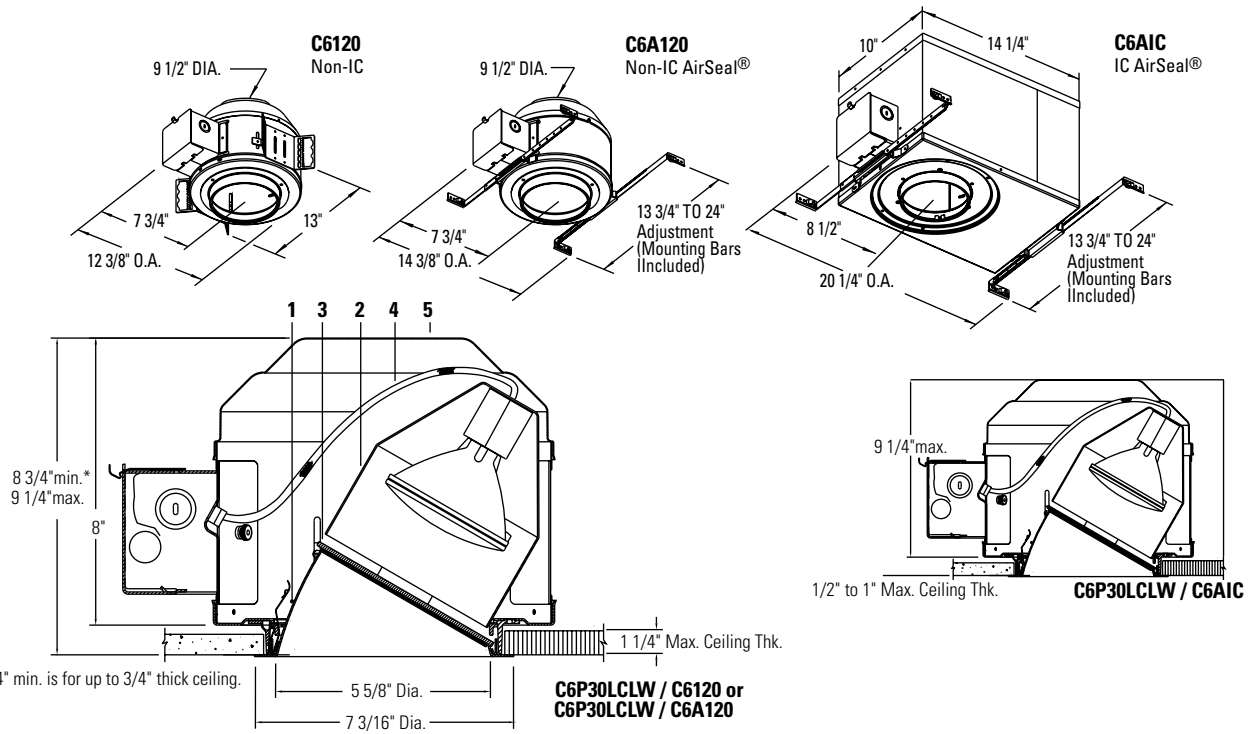




Calculite® Evolution Incandescent Lensed Wall Washer **C6P30L**



Ceiling Cutout: 6 11/16" Dia.

Reflector Trim		Frame-In Kit		
C6P30L CLW	Specular Clear, White Flange	Non-IC	Non-IC AirSeal®	IC-AirSeal®
C6P30L CLP	Specular Clear, Polished Flange	C6120	C6A120	C6A1C
C6P30L <input type="checkbox"/>	Add suffix. See options for other finishes.	75W PAR30 (Short Neck)	75W PAR30 (Short Neck)	50W PAR30 (Short Neck)

Features

- Aperture Cone:** 16 ga. aluminum, 50° visual cutoff to lamp and lamp image. Keyed to lampholder/kick reflector assembly to prevent incorrect installation of cone. Available with painted white or polished flange. Interchangeable with other Evolution™ 6" line voltage trims.
- Kick Reflector:** 16 ga. Alzak® aluminum. Specular kick reflector with directional spread lens distributes light smoothly for vertical surface wall washing.
- Directional Spread Lens:** High temperature, tempered glass. Precisely contoured to fit onto cone; replaceable.
- Socket Harness:** Medium base porcelain socket with nickel plated screw shell, No. 18 SF-1 leads to keyed plug-in quick connector for power connection to junction box.
- Frame-In Kit:** Compatible Frame-In Kits are listed above. See separate Frame-In Kit specification sheets for details.
Non-IC and Non-IC AirSeal® - Insulation must be kept 3" away from fixture sides and wiring compartments and must not be placed above fixture in a manner which will entrap heat.
IC-AirSeal® - Fixture may be in direct contact with insulation.

Options and Accessories

Reflector Finishes¹

- Clear: CL
- Comfort Clear Diffuse: CCD
- Champagne Bronze: CCZ
- Gold: GD
- White: WH
- Black: Consult factory

¹Specify desired flange
W White, P Polished

Labels

UL listed (suitable for damp locations), I.B.E.W.

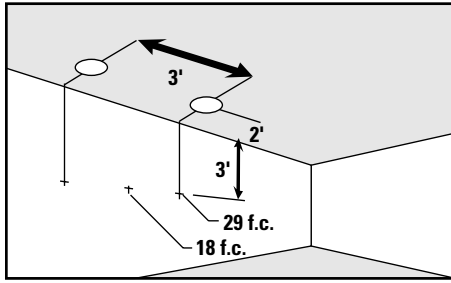
Job Information	Type:
Job Name:	
Cat. No.:	
Lamp(s):	
Notes:	

Lightolier a Genlyte company www.lightolier.com
 631 Airport Road, Fall River, MA 02720 • (508) 679-8131 • Fax (508) 674-4710
 We reserve the right to change details of design, materials and finish.
 © 2007 Genlyte Group LLC • C0507

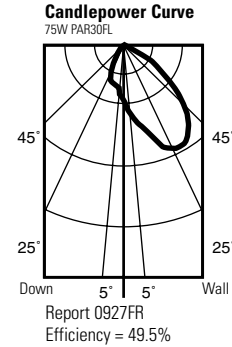
LIGHTOLIER®



Lighting Data



EXAMPLE: With multiple 75W PAR30 FL clear units located 2' from wall and 3' on center, the illumination on the wall 3' down from the ceiling is 29 f.c. beneath and 18 f.c. between fixtures.



Footcandles on Wall From Multiple Units - 75W PAR30 FL

Units 2 Feet From Wall

		← 2' →			← 3' →		
1'	24	13	24	13	6	13	
2'	52	38	52	28	15	28	
3'	39	34	39	29	18	29	
4'	25	23	25	20	16	20	
5'	16	16	16	14	12	14	
6'	11	11	11	10	9	10	
7'	8	8	8	7	7	7	
8'	6	6	6	5	5	5	
9'	4	4	4	4	4	4	

Units 3 Feet From Wall

		← 2' →			← 3' →		
1'	4	3	4	4	2	4	
2'	10	8	10	9	5	9	
3'	15	12	15	13	8	13	
4'	17	14	17	14	10	15	
5'	15	14	15	13	10	13	
6'	12	12	12	10	9	10	
7'	10	10	10	8	7	8	
8'	8	8	8	6	6	6	
9'	6	6	6	5	5	5	

For 50W Par30FL, Multiply f.c.'s by 0.55.

Footcandles values are averaged and rounded off and are based on a minimum of five units. For fixture-to-wall distances other than those shown.

Use maximum of 1 to 1 spacing (distance between fixtures not more than distance to wall) for best results

Job Information	Type:
------------------------	--------------

Lightolier a Genlyte company www.lightolier.com
 631 Airport Road, Fall River, MA 02720 • (508) 679-8131 • Fax (508) 674-4710
 We reserve the right to change details of design, materials and finish.
 © 2007 Genlyte Group LLC • C0507