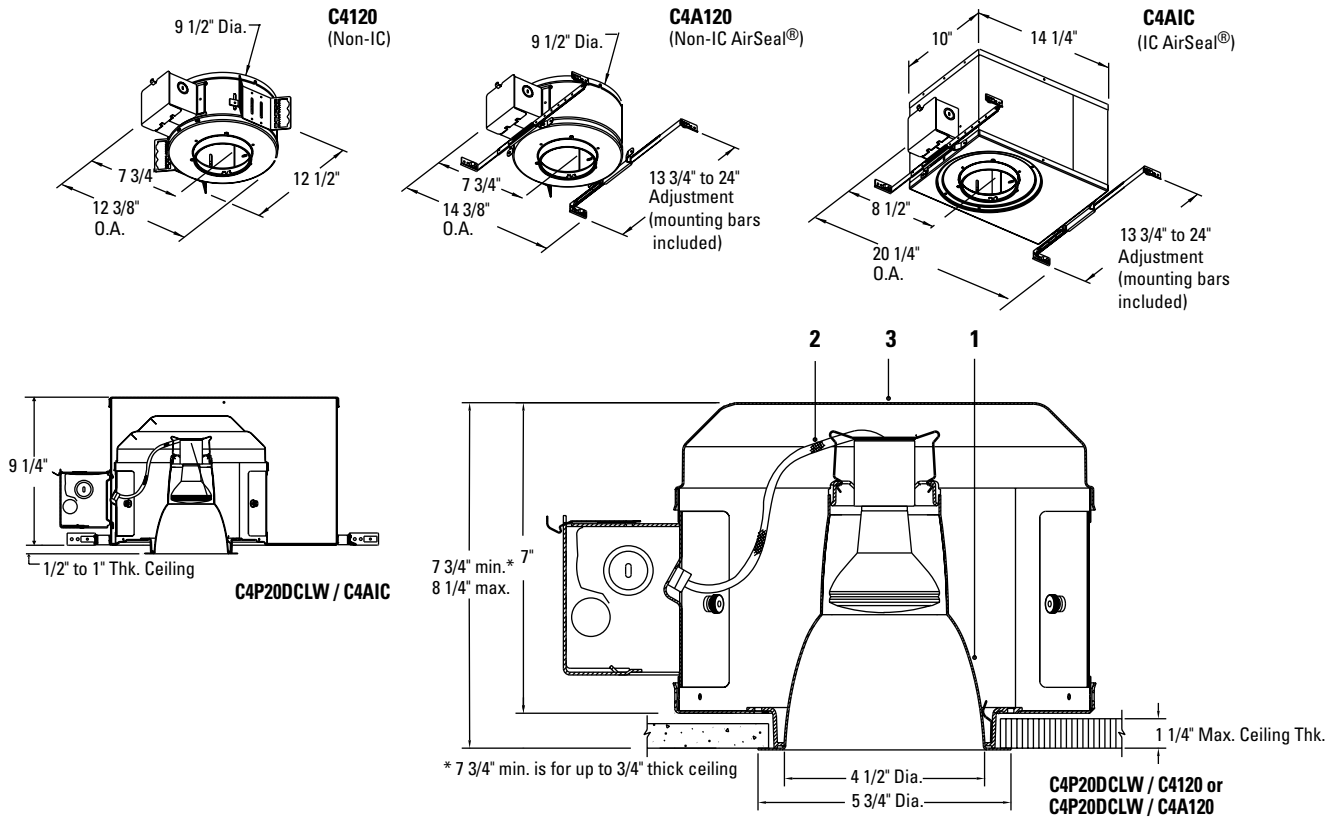




Calculite® Evolution Incandescent Open Downlight **C4P20D**



Ceiling Cutout: 5 1/16" (129 mm) Dia.

Reflector Trim		Frame-In Kit			
C4P20D CLW	Specular Clear, White Flange	Non-IC	Non-IC AirSeal®	IC-AirSeal®	Non-IC Remodeler
C4P20D CLP	Specular Clear, Polished Flange	C4120	C4A120	C4AIC	C4120RM
C4P20D <input type="checkbox"/>	Add suffix. See options for other finishes.	50W PAR20 75W PAR16 75W BR19, R20	50W PAR20 75W PAR16 75W BR19, R20	50W PAR20 75W PAR16 75W BR19, R20	50W PAR20 75W PAR16 75W BR19, R20

Features

- Reflector:** 16 ga. Alzak® aluminum, 50° visual cutoff to lamp and lamp image. Available with painted white or polished flange. Interchangeable with other Evolution 4 1/2" line voltage trims.
- Socket Harness:** Spring tension clips snap into die-cast aluminum top at pre-focused positions ensuring correct optical alignment. Medium base porcelain socket with nickel plated screw shell, No. 18 SF-1 leads, and keyed plug-in quick connector for power connection to junction box.
- Frame-In-Kit:** Compatible Frame-In Kits are listed above; see separate specification sheet for details.
Non-IC and Non-IC AirSeal® - Insulation must be kept 3" away from fixture sides and wiring compartments and must not be placed above fixture in a manner which will entrap heat.
IC-AirSeal® - Fixture may be in direct contact with insulation.

Options and Accessories

Reflector Finishes¹

Comfort Clear Diffuse	CCD
Specular Gold	GD
Specular Black	BK
White	WH

¹Specify desired flange
W White, **P** Polished

Labels

UL Listed (suitable for damp locations), I.B.E.W.

Alzak® is a registered trademark of ALCOA.

US and Foreign Patents Pending.

Job Information	Type:
Job Name:	
Cat. No.:	
Lamp(s):	
Notes:	

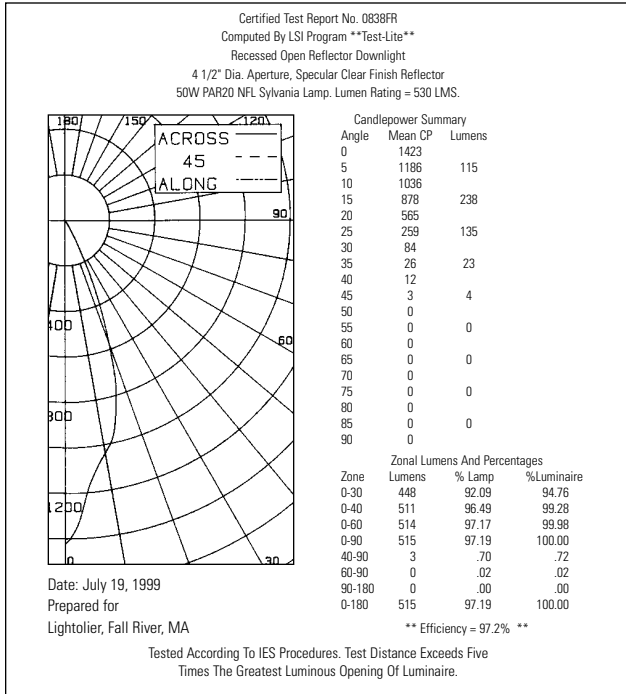
Lightolier a Genlyte Thomas Company www.lightolier.com
 631 Airport Road, Fall River, MA 02720 • (508) 679-8131 • Fax (508) 674-4710
 We reserve the right to change details of design, materials and finish.
 © 2003 Genlyte Thomas Group LLC (Lightolier Division) • B0403

LIGHTOLIER®

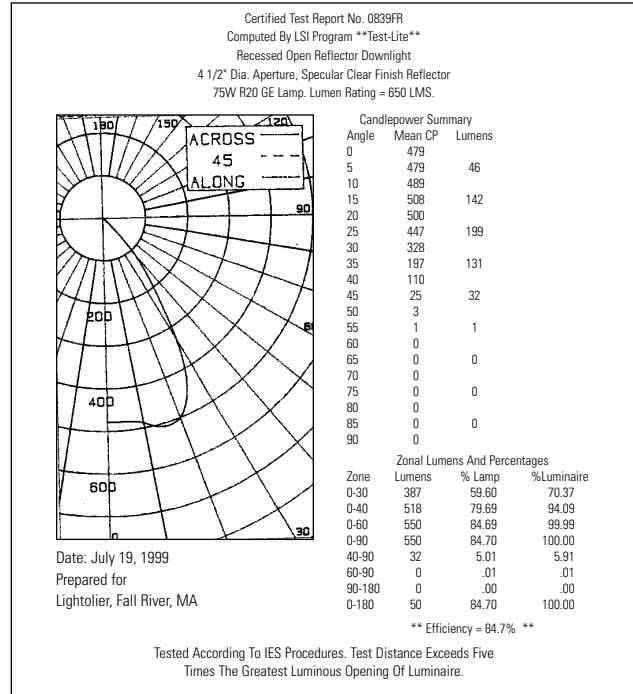


Calculite® Evolution Incandescent Open Downlight C4P20D

Spacing Ratio = 0.6



Spacing Ratio = 1.0



Coefficients of Utilization
% Effective Ceiling Cavity Reflectance

Room Cavity Ratio	% Wall Reflectance																		
	80			70			50			30			10			0			
	50	30	10	50	30	10	50	30	10	50	30	10	50	30	10	50	30	10	
1	1.11	1.09	1.08	1.09	1.07	1.06	1.05	1.04	1.03	1.01	1.01	1.00	.98	.98	.97	.95			
2	1.06	1.04	1.02	1.05	1.02	1.01	1.02	1.00	.98	.99	.98	.96	.97	.96	.94	.93			
3	1.03	1.00	.97	1.01	.99	.97	.99	.97	.95	.97	.95	.94	.95	.94	.93	.91			
4	1.00	.96	.94	.99	.96	.93	.97	.94	.92	.95	.93	.91	.93	.92	.90	.89			
5	.96	.93	.90	.95	.92	.90	.94	.91	.89	.92	.90	.88	.91	.89	.88	.87			
6	.94	.90	.88	.93	.90	.88	.92	.89	.87	.91	.88	.87	.90	.88	.86	.85			
7	.91	.88	.85	.91	.87	.85	.89	.87	.85	.88	.86	.84	.88	.85	.84	.83			
8	.88	.85	.83	.88	.85	.82	.87	.84	.82	.86	.84	.82	.86	.83	.81	.81			
9	.86	.83	.80	.86	.83	.80	.85	.82	.80	.84	.81	.80	.84	.81	.79	.79			
10	.84	.81	.78	.84	.81	.78	.83	.80	.78	.82	.80	.78	.82	.79	.78	.77			

Conversion Factors
20% Floor Cavity Reflectance
35W, 50W PAR20 NFL: Clear, C.U.x 1.0; Diffuse/Gold, C.U.x 0.95; Black, C.U.x 0.7
60W, 75W PAR16 NFL: Clear, C.U.x 0.90; Diffuse/Gold, C.U.x 0.85; Black, C.U.x 0.6
35W, 50W BR19 SP: Clear, C.U.x 0.85; Diffuse/Gold, C.U.x 0.80; Black, C.U.x 0.6

Coefficients of Utilization
% Effective Ceiling Cavity Reflectance

Room Cavity Ratio	% Wall Reflectance																		
	80			70			50			30			10			0			
	50	30	10	50	30	10	50	30	10	50	30	10	50	30	10	50	30	10	
1	.95	.93	.92	.94	.92	.90	.90	.89	.88	.87	.86	.85	.84	.83	.83	.81			
2	.90	.87	.85	.88	.86	.84	.86	.84	.82	.83	.82	.80	.81	.80	.79	.77			
3	.85	.82	.79	.84	.81	.78	.82	.79	.77	.80	.78	.76	.78	.76	.75	.74			
4	.81	.77	.74	.80	.76	.73	.78	.75	.73	.76	.74	.72	.75	.73	.71	.70			
5	.76	.72	.69	.75	.71	.69	.74	.71	.68	.73	.70	.68	.71	.69	.67	.66			
6	.73	.68	.65	.72	.68	.65	.71	.67	.64	.70	.66	.64	.68	.66	.64	.63			
7	.68	.64	.61	.68	.64	.61	.67	.63	.61	.66	.63	.60	.65	.62	.60	.59			
8	.65	.60	.57	.64	.60	.57	.63	.60	.57	.63	.59	.57	.62	.59	.56	.55			
9	.61	.57	.54	.61	.57	.54	.60	.56	.53	.59	.56	.53	.58	.55	.53	.52			
10	.58	.53	.50	.57	.53	.50	.57	.53	.50	.56	.52	.50	.56	.52	.50	.49			

Conversion Factors
20% Floor Cavity Reflectance
30W to 75W R20: Clear, C.U.x 1.00; Diffuse/Gold, C.U.x 0.9; Black, C.U.x 0.45

LIGHTOLIER

Job Information **Type:**

Lightolier a Genlyte Thomas Company www.lightolier.com
631 Airport Road, Fall River, MA 02720 • (508) 679-8131 • Fax (508) 674-4710
We reserve the right to change details of design, materials and finish.
© 2003 Genlyte Thomas Group LLC (Lightolier Division) • B0403