

Read and understand these instructions before installing fixture.

This fixture is intended for installation in accordance with the National Electrical Code and local or Federal code specifications. *To prevent electric shock, turn off electricity at fuse box before proceeding.* Retain these instructions for maintenance reference.

NOTE:

This instruction sheet covers both compact fluorescent and incandescent fixtures. Although illustration shows compact fluorescent, the incandescent version assembles and installs in the same manner.

NOTE:

The **Backplate** is provided with (3) **Auxiliary Mounting Knockout Holes** (4531, 4532, 4551, and 4552 series fixtures) for direct mounting to wall surfaces. These can be used for added security or where direct **Outlet Box** mounting is not available. To remove plug in **Knockout Holes**, follow steps 1 through 3 below. For 4533 series fixtures, (4) **Auxiliary Mounting Knockout Holes** are provided for direct mounting to wall surfaces (no plugs to remove). It is recommended that **Auxiliary Mounting Holes** be used on 4532, 4533 and 4552 series fixtures.

The **Backplate** can be mounted horizontally or vertically. See Fig 1 below for proper orientation for type of **Lens Assembly** and desired position.

1. Position blunt ended punch or awl in center of **Knockout** hole and firmly hit with hammer to punch plug through. Repeat for remaining **Knockouts** (Fig. 1).

Caution: Always wear eye protection (safety goggles) when removing **Auxiliary Mounting Knock-Outs**.

2. Position **Backplate** in desired position over **Outlet Box** and mark location of (4) **Auxiliary Holes** on wall surface.
3. Determine the appropriate mounting hardware required for type of wall material fixture is being mounted to (i.e. toggle bolts or molly screws for plaster or gypsum board walls, wood screws, etc.)
4. Thread **Crossbar Mounting Screws** into **Crossbar** as shown in Fig. 1.
5. Using appropriate slots in **Crossbar**, secure **Crossbar** to **Outlet Box** using **Outlet Box Screws** (provided with Outlet Box).
6. While supporting **Backplate** make connections: black fixture lead or fixture without tracer marks to hot (black) supply lead; white fixture lead or fixture lead with tracer markers to neutral (white) supply lead. Un-insulated wire is a ground wire and must be connected to grounding terminals or ground lead inside Outlet Box. Use **Wire Nuts** (local hardware item). Push connections back into **Outlet Box**.

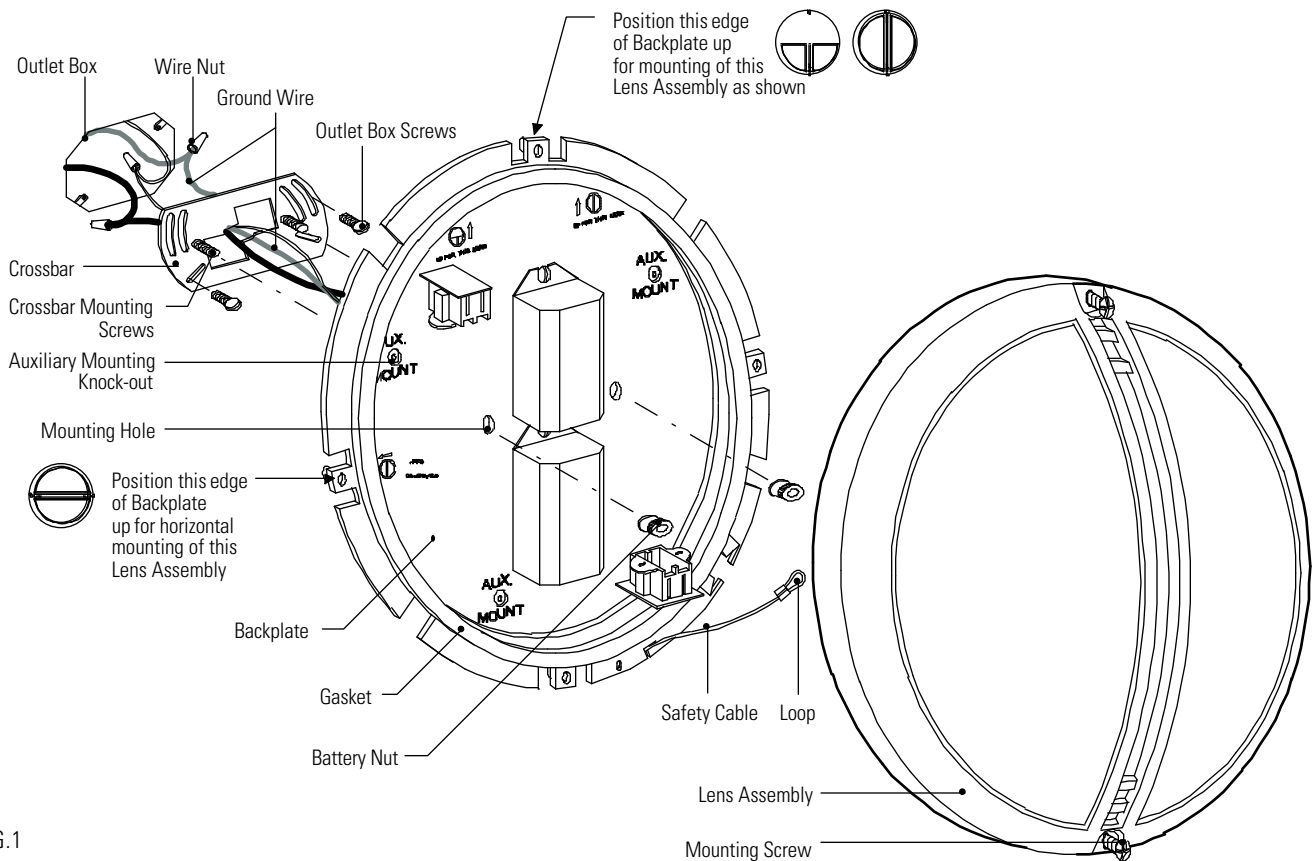


FIG.1

7. Position **Backplate** over **Crossbar** allowing **Crossbar Mounting Screws** to come through **Holes** in **Backplate**. Secure **Backplate** in position by installing (2) **Battery Nuts** over **Crossbar Mounting Screws** and tighten.
8. If using **Auxiliary Mounting Knockout**, install the appropriate hardware determined in step 3.
9. Position **Screw** through **Loop** in **Safety Cable** and thread **Screw** into **Mounting Boss** on inside of **Lens Assembly** (Fig. 2).
10. Install recommended lamp(s).
11. Position **Lens Assembly** over **Backplate** making certain the **Safety Cable** does not interfere with the **Gasket** (fig. 1).
12. Secure **Lens Assembly** in place by tightening the (2) **Mounting Screws** on the face of **Lens Assembly**.

CAUTION: Maximum wattage as marked on fixture must not be exceeded.

WARNING—(Risk of Fire) most dwellings built before 1985 have supply wire rated for 60° C. Consult a qualified electrician before installing.

CAUTION: For wet locations, in accordance with Underwriters Laboratories requirements, a line of caulking compound such as acrylic latex or silicone must be placed around the perimeter of Backplate to seal water away from the outlet box and back openings.

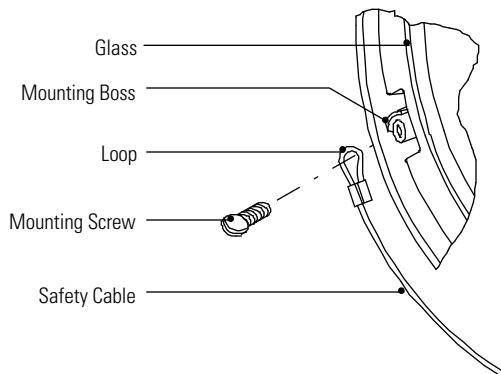


FIG. 2
Inside Lens Assembly