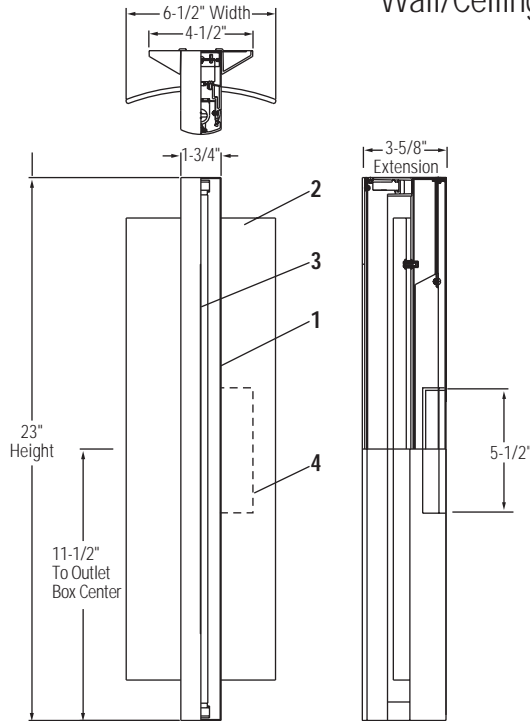


# Architectural Decorative Soli™ 48021ALU



Note: Luminaire can be ordered with or without diffuser shield. Order each separately.  
Can be mounted vertically or horizontally.

**Fixture Ordering Information**

Catalog No.	Finish	Wattage	Voltage	Lamping
48021ALU	Powder Coated Metallic Aluminum	14W	120/277V	T-5 Miniature Bi-Pin Fluorescent
48021AL24U		24W HO	120/277V	T-5 Miniature Bi-Pin Fluorescent

**Diffuser Ordering Information**

Catalog No.	Description	Dimensions
40874	Translucent Etched Soda Lime Glass w/ Pencil Polished Edges	19.5" L x 6.5" W x 5 mm Thick
40914	Extruded Opal Virgin Acrylic w/ Pencil Polished Edges	19.5" L x 6.5" W x 5 mm Thick

**Features**

- Housing:** Extruded and die-cast aluminum ballast and lamp chamber.
- Optional Diffuser/Reflector:** Curved etched glass or extruded opal virgin acrylic.
- Optics:** Internal white acrylic diffuser covers slit on front cover.
- J-Box Covers:** Die-cast split covers to enclose 4" octagonal J-Box (by others).

**Mounting**

Mounts directly to switch box or 4" octagonal J-Box or electrical conduit. Octagonal box mounting requires use of "J-Box Covers" and "Support Plate" supplied standard.

**Electrical**

Ballast (Electronic 120/277V)	14 W	24W HO
Total Input Watts:	25W	24W
Max. Line Current:	120V = 0.15 277V = 0.07	120V = 0.23 277V = 0.10
Power Factor:	120V = 0.98 277V = 0.90	120V = 0.98 0.98 = (120V/277V)
Ballast Factor:	1.05	1.02
THD:	120V = <10% 277V = <15%	120V = <10% 277V = <15%
Starting Temp:	0°F / -18°C	0°F / -18°C

**Finish**

All painted parts utilized the powder coat process. Lightolier Metallic Aluminum Powder Coat Enamel.

**Labels**

cULus Listed. Suitable for Damp Locations.

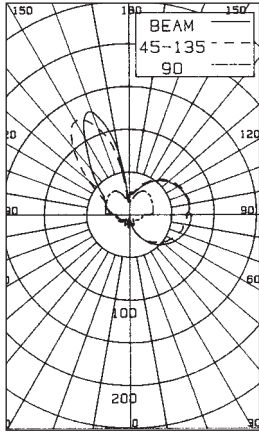
Job Information	Type:
Job Name:	
Cat. No.:	
Lamp(s):	
Notes:	

Lightolier a Genlyte company [www.lightolier.com](http://www.lightolier.com)  
631 Airport Road, Fall River, MA 02720 • (508) 679-8131 • Fax (508) 674-4710  
We reserve the right to change details of design, materials and finish.  
© 2005 Genlyte Group LLC

**LIGHTOLIER**®

# Architectural Decorative Soli™ 48021ALU

CERTIFIED TEST REPORT NO. 2216FR  
 COMPUTED BY LSI PROGRAM \*\*TEST-LITE\*\*  
 LIGHTOLIER ARCHITECTURAL DECORATIVE LUMINAIRE SOLI  
 CAT. NO. 48021ALU, ETCHED GLASS SHIELD  
 1-14W SYLVANIA T-5 LAMP. LUMEN RATING = 1220 LMS.  
 UNIVERSAL BALLAST #B228PUNVC



ZONE DEG.	CANDLEPOWER				
	90	67.5	45	22.5	90
	CANDELAS				
0	2	2	2	2	0
5	2	3	3	3	1
15	4	9	11	12	4
25	6	15	20	21	8
35	8	21	27	29	12
45	10	27	34	37	16
55	12	31	40	43	20
65	14	35	45	48	23
75	15	38	49	51	24
85	16	39	51	54	25
95	21	35	53	57	25
105	21	35	53	56	24
115	19	33	51	54	22
125	18	31	47	51	18
135	15	28	42	45	14
145	13	24	36	38	10
155	10	19	29	31	6
165	7	13	21	22	2
175	3	8	11	12	0
180	5	5	5	5	5

Prepared For:  
 Lightolier  
 Fall River, MA  
 Date: May 6, 2003

Tested according to IES procedures.  
 Test distance exceeds five times the greatest luminous opening of luminaire.

### COEFFICIENTS OF UTILIZATION % EFFECTIVE CEILING CAVITY REFLECTANCE

	% WALL REFLECTION															
	80			70			50			30			10			0
	50	30	10	50	30	10	50	30	10	50	30	10	50	30	10	0
0	30	30	30	28	28	28	23	23	23	19	19	19	15	15	15	14
1	24	22	21	22	20	19	18	17	16	14	14	13	11	11	10	8
2	20	18	16	18	16	15	15	13	12	12	11	10	9	8	7	6
3	17	15	13	16	13	11	13	11	9	10	9	7	7	6	6	4
4	15	12	10	14	11	9	11	9	8	9	7	6	6	5	4	3
5	13	10	8	12	10	8	10	8	6	8	6	5	6	4	4	3
6	12	9	7	11	8	6	9	7	5	7	5	4	5	4	3	2
7	10	8	6	9	7	6	8	6	4	6	5	3	4	3	2	1
8	9	7	5	8	6	5	7	5	4	5	4	3	4	3	2	1
9	8	6	5	8	6	5	6	5	3	5	4	3	4	3	2	1
10	8	5	4	7	5	4	6	4	3	5	3	2	3	2	2	1

DETERMINED IN ACCORDANCE WITH CURRENT IES PUBLISHED PROCEDURES  
 20% FLOOR CAVITY REFLECTANCE

### DISTRIBUTION

Zone	Lumens	% Lamp	% Luminaire
0-30	9	.8	2.88
0-40	22	1.8	6.49
0-60	65	5.4	19.07
0-90	165	13.5	48.07
40-90	104	8.6	41.58
60-90	166	13.6	29.00
90-180	178	14.6	51.93
0-180	343	28.2	100.00

\*\* EFFICIENCY = 28.2% \*\*

Multiply Calculated footcandles by 1.4 for 24W HO Lamp.

Job Information  Type:

Lightolier a Genlyte company www.lightolier.com  
 631 Airport Road, Fall River, MA 02720 • (508) 679-8131 • Fax (508) 674-4710  
 We reserve the right to change details of design, materials and finish.  
 © 2005 Genlyte Group LLC

**LIGHTOLIER**®