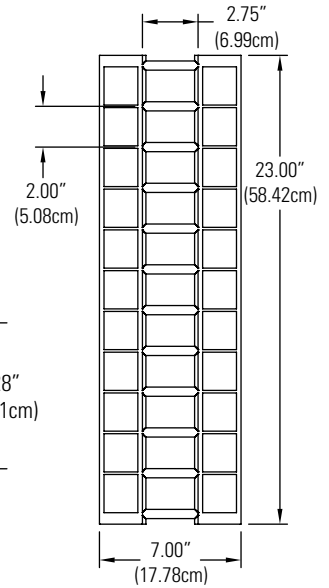
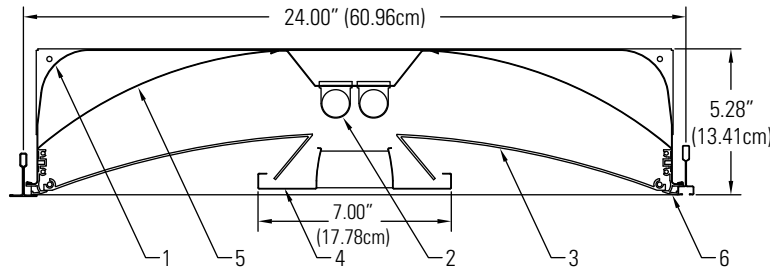


Louver w/ Elongated Lens Detail



Louver w/ Segmented Lens Detail

Ordering Information

Family	Shielding	Length	Lamps	Lamp Type	Ballast Factor	Voltage	Housing	Option
A			2	T8				
Aletta	LE = Louver w/ Elongated Lens LS = Louver w/ Segmented Lens	2 = 2' (60.96cm) 4 = 4' (121.92cm)	2 = 2 Lamps	T8 = T8 Standard Output	71 = .71 78 = .78 88 = .88 10 = *1.0 Dimming and Static 12 = *1.2 Step Dimming	1 = 120v 2 = 277v 3 = 347v	U = Individual Unit S = Starter J = Joiner E = Ender	D = Dimming E = EM Pack 2 = 2 Circuit 4 = 4 Through Wire 5 = 5 Through Wire

* For dimming, use "D" option. If "D" is not selected, ballast will be static.

Features

- Housing:** 23 gauge pre-painted steel. 20 gauge available, consult factory.
- Lamp:** Two T8. (by others)
- Faux Housing:** Extruded Frosty acrylic.
- Louver:** High purity Semi-Specular, 2-3/4" (6.99cm) opening x 1-3/8" (3.49cm) deep on 2" (5.08cm) ctrs with micro-prismatic side overlays. Elongated lens openings are 22" (55.88cm) windows. Segmented lens openings are 2" (5.08cm) windows.
- Performance Kick Reflector:** .020" (0.05cm) 95%-98% reflective, UV resistant polypropylene.
- Trim:** Extruded aluminum trim, painted white, interfaces with ceiling grid or plaster frame by others.

Electrical

Ballasts are electronic and high power factor. Dimming ballasts are available on many lamp types, please consult factory regarding specific applications. 1325 max lumen battery pack is standard. See application table on page 2 for output with specific lamp types. Continuous luminaires utilize 12 gauge through wires. Factory installed ballast disconnect allows the ballast to be disconnected from and reconnected to incoming power under load without turning the entire circuit off.

Mounting

Housing is suspended by hanger wires and laid into standard or slot-T grid ceiling. Mounting accessory available for drywall installations (see page 2).

Labels

UL, cUL and I.B.E.W.

Ordering Instructions

Individual Fixtures:

- Order quantity of Individual Units required.

Continuous Runs:

- Order one Starter and one Ender fixture per run.
- Order appropriate quantity of Joiner fixtures.

Continuous runs only - Prior to installing Aletta in a grid ceiling, the installing contractor must ensure that the fixture will set into two main runners, spaced 2' (60.96cm) on center. No grid cross members are required except at the beginning and end of the run.

Job Information

Type:

Job Name:

Cat. No.:

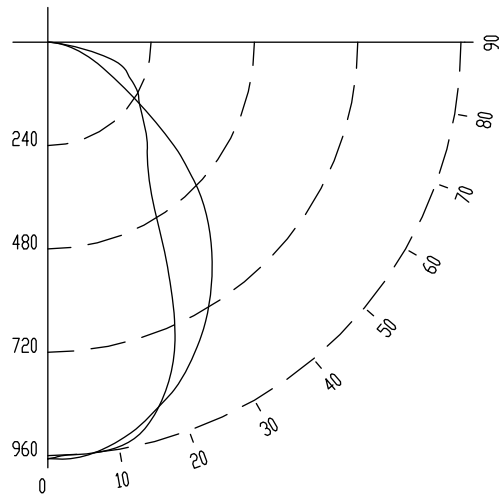
Lamp(s):

Notes:

631 Airport Road, Fall River, MA 02720 • (508) 679-8131 • Fax (508) 674-4710
We reserve the right to change details of design, materials and finish.
www.lightolier.com © 2008 Philips Group • C0808

Performance

CANDLEPOWER CURVE



REPORT NO.: ALE42T8.IES
 LAMPS: 2 F032/835
 LUMENS: 2950
 EFFICIENCY: 60.3%

ZONE	CANDLEPOWER				
	0	22	45	67	90
90	0	0	0	0	0
85	26	43	40	33	31
75	119	141	202	253	263
65	249	257	283	355	384
55	511	452	429	444	464
45	946	878	701	596	596
35	1260	1225	1138	1033	996
25	1516	1486	1465	1457	1451
15	1699	1691	1671	1661	1659
5	1811	1811	1803	1793	1789
0	1818	1818	1818	1818	1818

COEFFICIENTS OF UTILIZATION
 % EFFECTIVE CEILING CAVITY REFLECTANCE

ROOM CAVITY RATIO	WALL REFLECTANCE								
	80			70			50		
	70	50	30	70	50	30	50	30	10
0	72	72	72	70	70	70	67	67	67
1	66	64	61	65	62	60	60	58	56
2	61	56	53	59	55	52	53	50	48
3	56	50	46	55	49	45	48	44	41
4	52	45	40	51	45	40	43	39	36
5	48	41	36	47	40	36	39	35	32
6	45	37	32	44	37	32	36	32	28
7	42	34	29	41	34	29	33	29	26
8	39	31	27	38	31	27	30	26	23
9	37	29	24	36	29	24	28	24	21
10	35	27	23	34	27	22	26	22	19

20% FLOOR CAVITY REFLECTANCE

DISTRIBUTION

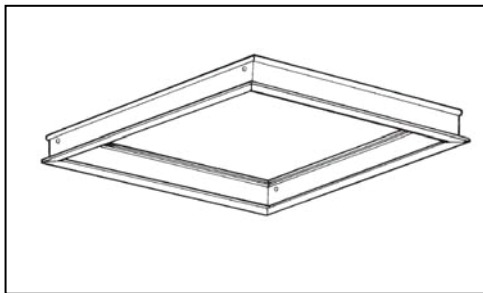
Zone	Lumens	% Lamp	% Luminaire
0-90	3556	60.3	100
0-180	3556	60.3	100

EM Pack Output Table

Lamp Length	Lamp Type	Lamp Rated Output	Lamp Wattage	Battery Lumen Output
4' (121.92cm)	T5HO	4450*	54	1250*
4' (121.92cm)	T5	2600*	28	1325*
4' (121.92cm)	T8	2950	32	1100
2' (60.96cm)	T5HO	1750*	24	725*
2' (60.96cm)	T5	1200*	14	750*
2' (60.96cm)	T8	1350	17	650

* 25°C Rating

Mounting Accessory



Drywall Conversion Kit

For Individual Units only

FK92X2 – Conversion Kit for 2' (60.96cm) Unit

FK92X4 – Conversion Kit for 4' (121.92cm) Unit

Job Information

Type:

631 Airport Road, Fall River, MA 02720 • (508) 679-8131 • Fax (508) 674-4710

We reserve the right to change details of design, materials and finish.

www.lightolier.com © 2008 Philips Group • C0808