

READ AND UNDERSTAND THESE INSTRUCTIONS BEFORE INSTALLING FIXTURE

This fixture is intended for installation in accordance with the National Electrical Code and local regulations. To assure full compliance with local codes and regulations, check with your local electrical inspector before installation. To prevent electrical shock, turn off electricity at fuse box before proceeding.

Retain these instructions for maintenance reference.

INSTRUCTION SHEET NO.

IS:6700

A0100

Page 1 of 1

INSTRUCTIONS FOR INSTALLATION OF DISCUS FIXTURES

1. Twist DIFFUSER counterclockwise and remove.
2. Partially thread supplied MOUNTING SCREWS into OUTLET BOX.
3. While supporting FIXTURE HOUSING, make electrical connections: black fixture lead or fixture lead without tracer marks to hot (black) supply lead; white fixture lead or fixture lead with tracer to neutral (white) supply lead. Green fixture wire is a ground and must be connected to grounding terminal or ground lead inside OUTLET BOX. Use WIRE NUTS (local hardware item). Push connections back into OUTLET BOX.
4. Position FIXTURE HOUSING over MOUNTING SCREWS and allow heads of MOUNTING SCREWS to come through KEYHOLE SLOTS in FIXTURE HOUSING. Turn FIXTURE HOUSING until SCREWS fully engage in narrow portion of KEYHOLE SLOTS and secure in place by tightening MOUNTING SCREWS.
5. Install recommended lamp(s).

CAUTION: MAXIMUM WATTAGE AS MARKED ON FIXTURE MUST NOT BE EXCEEDED.

6. Re-install DIFFUSER to FIXTURE HOUSING. Align the three bracket tabs with details in DIFFUSER, then rotate clockwise.

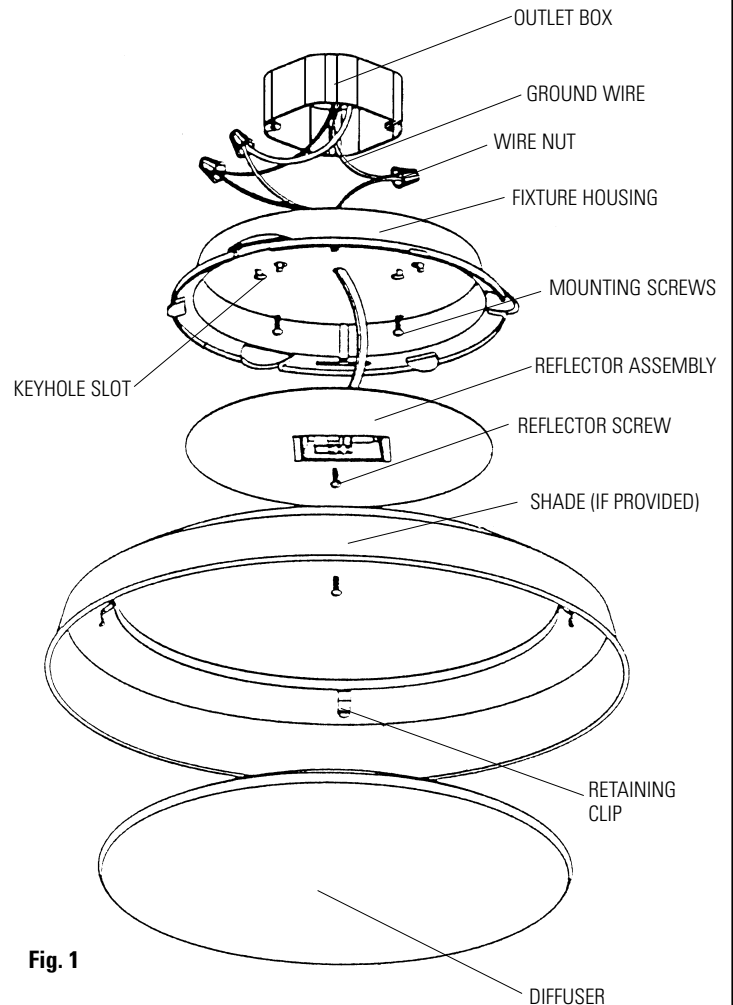


Fig. 1

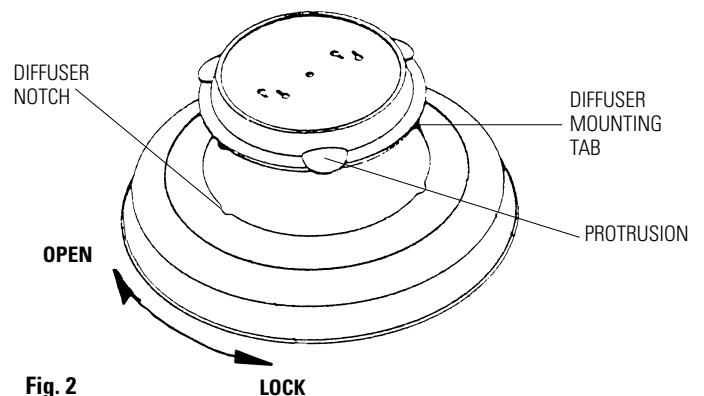


Fig. 2

LIGHTOLIER®

LIGHTOLIER a GENLYTE company.
631 Airport Road, Fall River, MA 02720