

Module Ordering Information

Family	Series	Track	Length	Shielding	Lamps	Finish	Options
A	1	A A = Track B = No Track	4 = 4-Foot 8 = 8-Foot 12 = 12-Foot	D A = No Shield B = Solid Shield C = Perf Shield D = Lens Shield	28 = 28w 54 = 54w	WH = White AL = Aluminum	E1 = Emergency Pack, 120v E2 = Emergency Pack, 277v D1 = Dimming 120v D2 = Dimming 277v X5 = 5 Through Wires

Complete ordering instructions below.

Features

- Housing:** Extruded aluminum housing in lengths of 4' (121.92cm), 8' (243.84cm) and 12' (365.76cm). There are no exposed fasteners. The end caps are die-cast aluminum sculpted and finished to match the housing.
- Lens:** Extruded clear acrylic linear prismatic lens.
- Reflector:** Die-formed high purity anodized specular aluminum.
- Lamping:** One T5 28W or 54W lamp per four-foot nominal length. Provided by others.
- Alignment Mechanism:** The housing and the end cap each have a draw tight mechanism that creates a hairline joint along and at the ends of the run. To operate the mechanism, the installer tightens two screws.
- Track Option:** The housing has the capability of having single circuit Lytespan® track fixtures for accent lighting. The track is an integral component of the housing. The fixture housing comes with a cover to conceal any portion of the track that doesn't have a track fixture installed. The cover can be cut to length in the field. There is an optional cover (**ATC**) that creates a nearly seamless transition from the fluorescent fixture to the track fixture.
- Shielding:** 3/16" (0.48cm) frosted acrylic lens with 85% transmission.

Labels

UL, cUL and I.B.E.W.

Finish

Powder coated baked white or silver enamel.
Custom colors available, consult factory.

Mountings

All mounting is on 48" (121.92cm), 96" (243.84cm) and 144" (365.76cm) centers.
Cable Suspension (not shown) 4-1/2" (11.43cm) diameter flat canopy finished white enamel, 1/16" (0.16cm) diameter stainless steel aircraft cable adjustable up to 36" (91.44cm) and adjustable cable gripper. Cable mounting at the ends of a run is not available when track is being used. Installing stems at the ends of the run will prevent the fixture from hanging off center caused by the weight of the track fixture. Cable suspension can be used in the center of runs that have track installed. Consult factory for other options.

Stem Mounting (not shown) - 4-1/2" (11.43cm) diameter flat canopy, 1/4" (0.64cm) IP 1/2" (1.27cm) OD stem. The stem can accommodate up to 2-12 gauge and 3-18 gauge solid wires. All components have a white finish.

Electrical

Ballast is <10% THD, 1.0 ballast factor, program start. Color-coded quick connectors allow ease of connection for joiner modules. For special circuiting consult factory. Factory installed ballast disconnect allows the ballast to be disconnected from and reconnected to incoming power under load without turning the entire circuit off.

Dimming: 120/277 VAC 1% dimming level, 4 or 5 wire feed required.

Emergency Battery Pack: 28 watt: 520 lumens @ 90 minutes, 54 watt: 700 lumens @ 90 minutes.

There are two types of power feed end sets for the track option. One has a stem containing five solid wires and the other end set has one 5 wire and one 3 wire stem. Single power feed end sets allow for 16 amps of track fixtures per run while dual power feed end sets allow 32 amps per run.

Ordering Instructions

Individual Fixtures:

- Order number of MODULES required.
- Order one POWER FEED END SET per MODULE.

Continuous Rows:

- Determine run length.
- Order the appropriate number of MODULES for the complete run.
- Order one POWER FEED END SET per run.
- Order one INTERMEDIATE SUSPENSION per MODULE minus one per run.
- For runs that exceed amperage limits, order the appropriate number of INTERMEDIATE POWER FEEDS.

Job Information

Type:

Job Name:

Cat. No.:

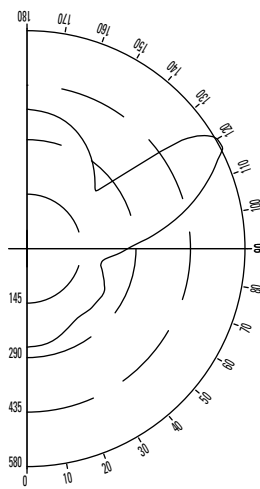
Lamp(s):

Notes:

631 Airport Road, Fall River, MA 02720 • (508) 679-8131 • Fax (508) 674-4710
We reserve the right to change details of design, materials and finish.
www.lightolier.com © 2008 Philips Group • C0908

Performance

CANDLEPOWER CURVE



REPORT NO: ITL50918
 CAT NO: AIX4D54
 LAMPS: 1-F54T5
 LUMENS: 5000
 EFFICIENCY: 62.7%

ZONE DEG.	CANDLEPOWER				
	0	22	45	67	90
180	371	371	371	371	371
175	372	372	370	369	368
165	359	359	357	358	364
155	343	339	333	334	346
145	344	325	304	299	316
135	338	306	276	257	276
125	312	268	227	288	239
115	246	198	374	533	584
105	137	166	355	436	507
95	37	143	253	313	388
90	10	112	205	246	268
85	50	105	174	202	228
75	98	123	156	190	202
65	135	146	183	220	216
55	171	175	201	229	236
45	201	204	208	226	233
35	226	229	225	229	229
25	244	247	244	244	234
15	256	257	257	257	249
5	263	263	262	261	259
0	262	262	262	262	262

COEFFICIENTS OF UTILIZATION % EFFECTIVE CEILING CAVITY REFLECTANCE

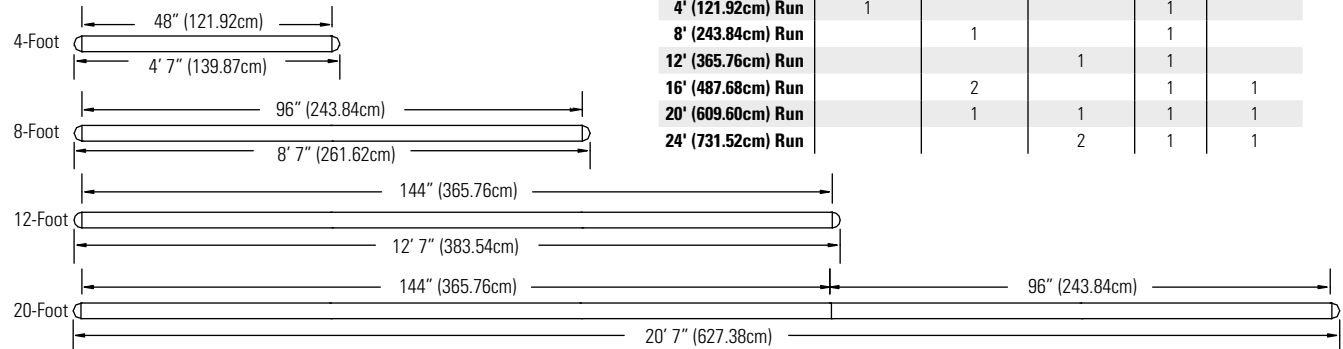
ROOM CAVITY RATIO	WALL REFLECTANCE								
	80			70			50		
	70	50	30	70	50	30	50	30	10
0	66	66	66	60	60	60	48	48	48
1	58	55	42	53	50	47	40	38	36
2	52	47	43	47	43	39	34	31	29
3	47	41	36	43	37	33	30	26	24
4	43	36	31	39	33	28	25	23	20
5	39	32	26	35	29	24	23	20	17
6	36	28	23	33	26	21	21	17	14
7	33	25	20	30	23	18	19	15	13
8	31	23	18	28	21	16	17	13	11
9	29	21	16	26	19	15	15	12	10
10	27	19	14	24	17	13	14	11	9

20% FLOOR CAVITY REFLECTANCE

DISTRIBUTION

Zone	Lumens	% Lamp	% Luminaire
0-90	1216	24.3	38.8
90-180	1919	38.4	61.2
0-180	3136	62.7	100.0

Fixture Lengths and Mounting Locations



Mounting Accessories

A1TES24ALD = Aluminum
A1TES24VHWD = White
 Dual Power Feed End Set
 5 Wires (2-12 ga., 3-18ga.) on One End
 3 Wires (2-12 ga., 1-18ga.) on One End
 24" (60.96cm) Stems for Track

A1TES24ALS = Aluminum
A1TES24VHWS = White
 Single Power Feed End Set
 5 Wires (2-12 ga., 3-18ga.) on One End
 24" (60.96cm) Stems for Track

ALS24
 Intermediate
 24" (60.96cm) White Stem Set

AC36
 Intermediate
 36" (91.44cm) Cable Set

ACC36X4
 Intermediate 36" (91.44cm)
 Cable & 4 Wire 18 ga.
 Cord Set for Fluorescent Only

A1LAL = Aluminum
A1LWH = White
 "L" Joiner Block

A1TAL = Aluminum
A1TWH = White
 "T" Joiner Block

A1XAL = Aluminum
A1XWH = White
 "X" Joiner Block

A1LAL = Aluminum
A1LWH = White
 Inline Joiner Block

ATCAL = Aluminum
ATCWH = White
 Track Adapter

Job Information Type:

631 Airport Road, Fall River, MA 02720 • (508) 679-8131 • Fax (508) 674-4710
 We reserve the right to change details of design, materials and finish.
 www.lightolier.com © 2008 Philips Group • C0908