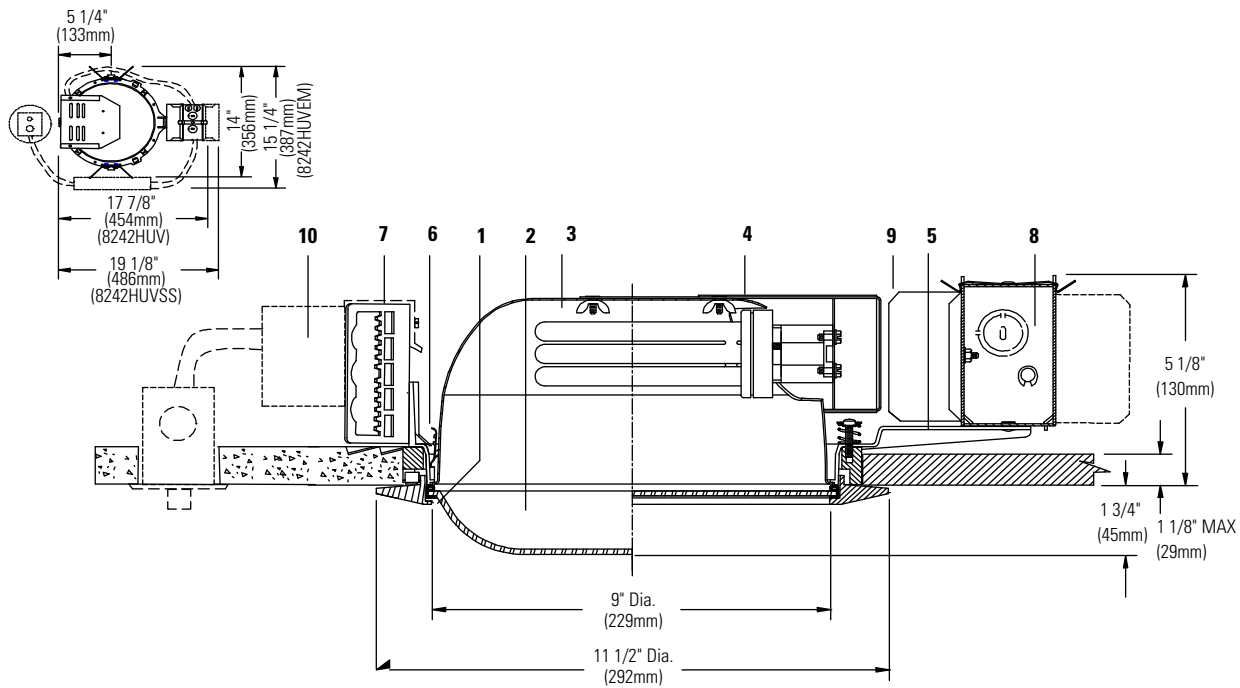




# Calculite® Compact Fluorescent Lensed Downlight 8098



Ceiling Cutout: 10 1/4" (257 mm) Dia.

Reflector Trim	Frame-In Kit	Lamp
<b>8098VWH</b> Flush Lens / White Flange	<b>8242HUV</b> 120/277V Universal	<b>(2) 26/32/42W Triple Tube</b> 4-Pin
<b>8098DVWH</b> Drop Open Lens / White Flange	<b>8242HCUV3</b> 120/277V Universal Dimming	
	<b>8242HUVSS</b> 120/277V Universal Separate Switch	
	<b>8242HUVEM</b> 120/277V Universal Emergency	

## Features

- Rotolock Ring:** Die-cast aluminum; matte white finish. Sealed o-ring construction provides the wet location seal. Single allen-head set screw locks the ring in place to prevent vandalism.
- Lens:** High impact acrylic, semi-transparent diffuser. Available in Flush lens (8098VWH) and Drop Lens (8098DVWH).
- Reflector:** 16 Ga. Die-formed aluminum, clear anodized finish.
- Socket Bracket:** Die-formed steel. Attaches to reflector without tools, assures proper optical alignment of lamps.
- Mounting Frame:** Die-cast aluminum suitable for dry or plaster ceilings.
- Retaining Springs:** Rust resistant springs simplify reflector/housing removal for inspection and maintenance.
- Mounting Brackets:** 16 ga. steel. Adjustable from inside of fixture. Use 3/4" or 1 1/2" lathing channel, 1/2" EMT, or optional 27" mounting bars (see separate specification sheet "MBA").
- Junction Box:** 14 ga. steel, 4" (102 mm) x 3 1/2" (89 mm) x 2" (51 mm) box, allows inspection from below. UL certified for through branch circuit wiring with maximum of 8 no. 12, 90° C conductors.
- Electronic Ballast:** High Power Factor, thermally protected class "P", no visible flicker on starting, internally fused and protection circuit for lamp end-of-life. Sound rated "A". Designed for removal without tools from inside of fixture. Separate Switching Frame-in Kit is equipped with two separate ballasts.
- Emergency Battery Pack Frame-In Kit:** Electronic, fully encased and prewired nickel cadmium long life battery replaceable from below. Test switch and charge light included in easy to install recessed switch box with 4 1/2" dia. matte white cover plate; switch box and charge light can be installed up to 50 feet from fixture. One lamp is illuminated at initial lumens of 450 (26W), 575 (32W) and 750 (42W) light output for 90 minutes when power fails.

## Options and Accessories

- Mounting Bars:** See specification sheet "MBA"
- T-Bar Anchor Clips:** See specification sheet "MBA"
- Fuse (Slow Blow):** Add suffix "F"
- Emergency Ltg. Kit:** **FAEM3E, FAEM4E** (see "FAEM" specification sheet)

## Electrical

For ballast electrical data, latest lamp / ballast compatibility, refer to "Ballast" specification sheet.

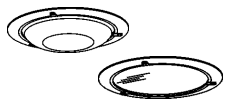
## Labels

UL listed for Wet Locations  
I.B.E.W. Union Made

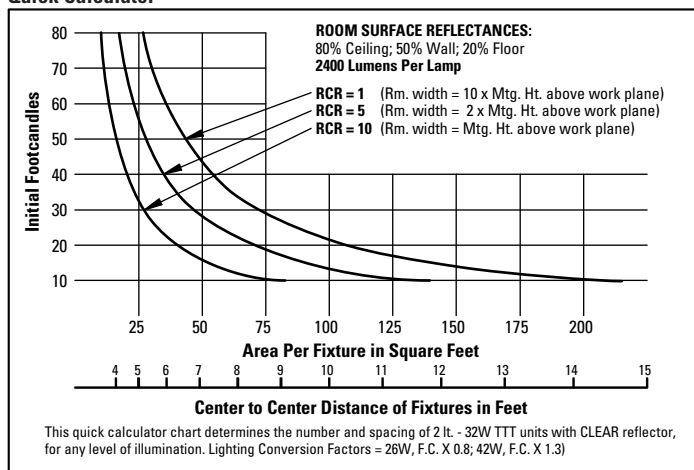
Job Information	Type:
<b>Job Name:</b>	
<b>Cat. No.:</b>	
<b>Lamp(s):</b>	
<b>Notes:</b>	

Lightolier a Genlyte company [www.lightolier.com](http://www.lightolier.com)  
631 Airport Road, Fall River, MA 02720 • (508) 679-8131 • Fax (508) 674-4710  
We reserve the right to change details of design, materials and finish.  
© 2006 Genlyte Group LLC • C0406

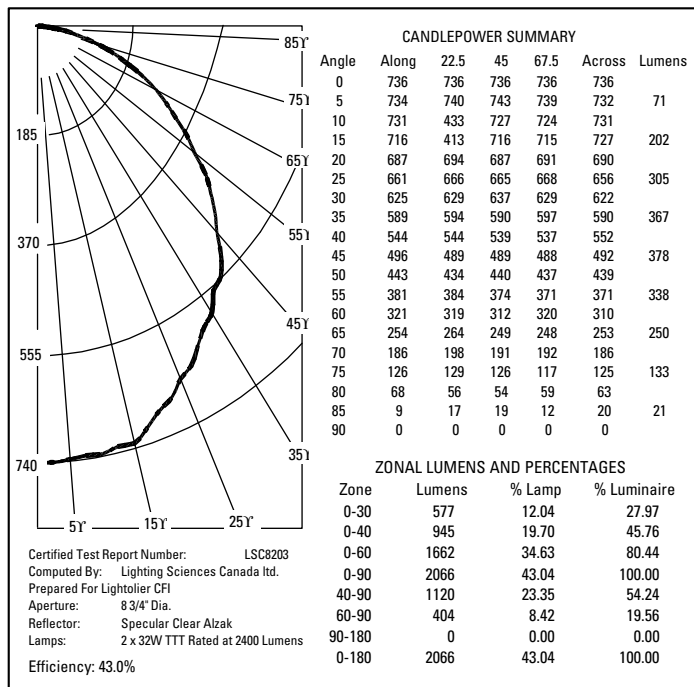
LIGHTOLIER®



## Flush Lens 2-32W Triple Tube Quick Calculator



### Spacing Ratio = 1.3



### Coefficients Of Utilization

ROOM CAVITY RATIO	Ceiling Cavity Reflectance															
	80			70			50			30			10			0
	50	30	10	50	30	10	50	30	10	50	30	10	50	30	10	0
1	.45	.44	.42	.45	.43	.42	.43	.41	.40	.41	.40	.39	.39	.39	.38	.37
2	.40	.38	.35	.39	.37	.35	.38	.36	.34	.37	.35	.33	.35	.34	.33	.32
3	.36	.32	.30	.35	.32	.30	.34	.31	.29	.33	.30	.29	.32	.30	.28	.27
4	.32	.28	.26	.31	.28	.26	.30	.27	.25	.29	.27	.25	.28	.26	.25	.24
5	.29	.25	.22	.28	.25	.22	.27	.24	.22	.26	.24	.22	.26	.23	.21	.21
6	.26	.22	.19	.25	.22	.19	.24	.21	.19	.24	.21	.19	.23	.21	.19	.18
7	.23	.19	.17	.23	.19	.17	.22	.19	.17	.21	.18	.16	.21	.18	.16	.15
8	.21	.17	.15	.20	.17	.15	.20	.17	.15	.19	.17	.14	.19	.16	.14	.14
9	.19	.15	.13	.19	.15	.13	.18	.15	.13	.18	.15	.13	.17	.15	.13	.12
10	.17	.14	.12	.17	.14	.11	.17	.14	.11	.16	.13	.11	.16	.13	.11	.11

For 26W and 42W lamps, multiply C.U.'s X 1.0.

### Job Information Type:

Lightolier a Genlyte company www.lightolier.com  
 631 Airport Road, Fall River, MA 02720 • (508) 679-8131 • Fax (508) 674-4710  
 We reserve the right to change details of design, materials and finish.  
 © 2006 Genlyte Group LLC • C0406

LIGHTOLIER®